

1 2 3 4 5 6 7 8 9 10 11 12

A

B

C

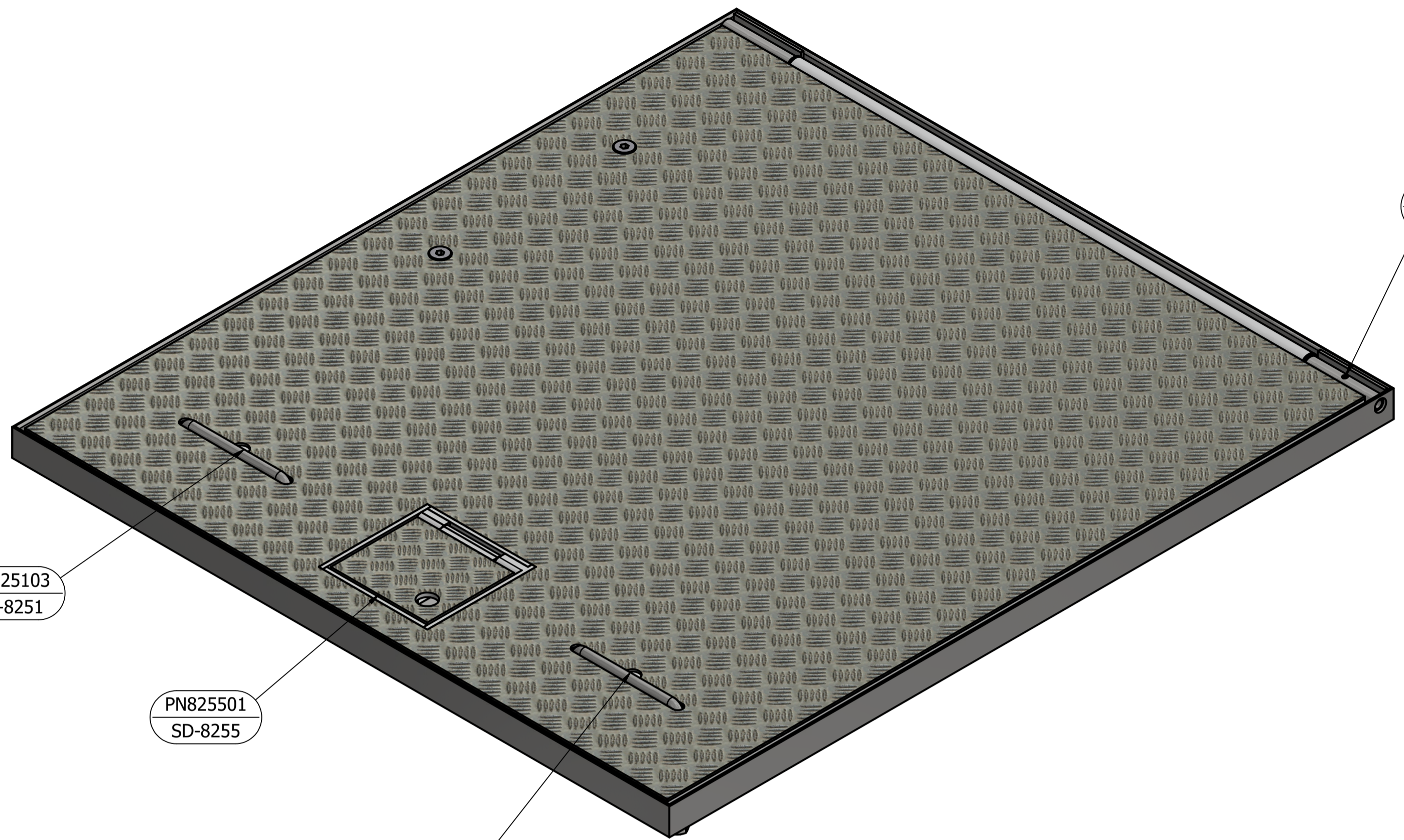
D

E

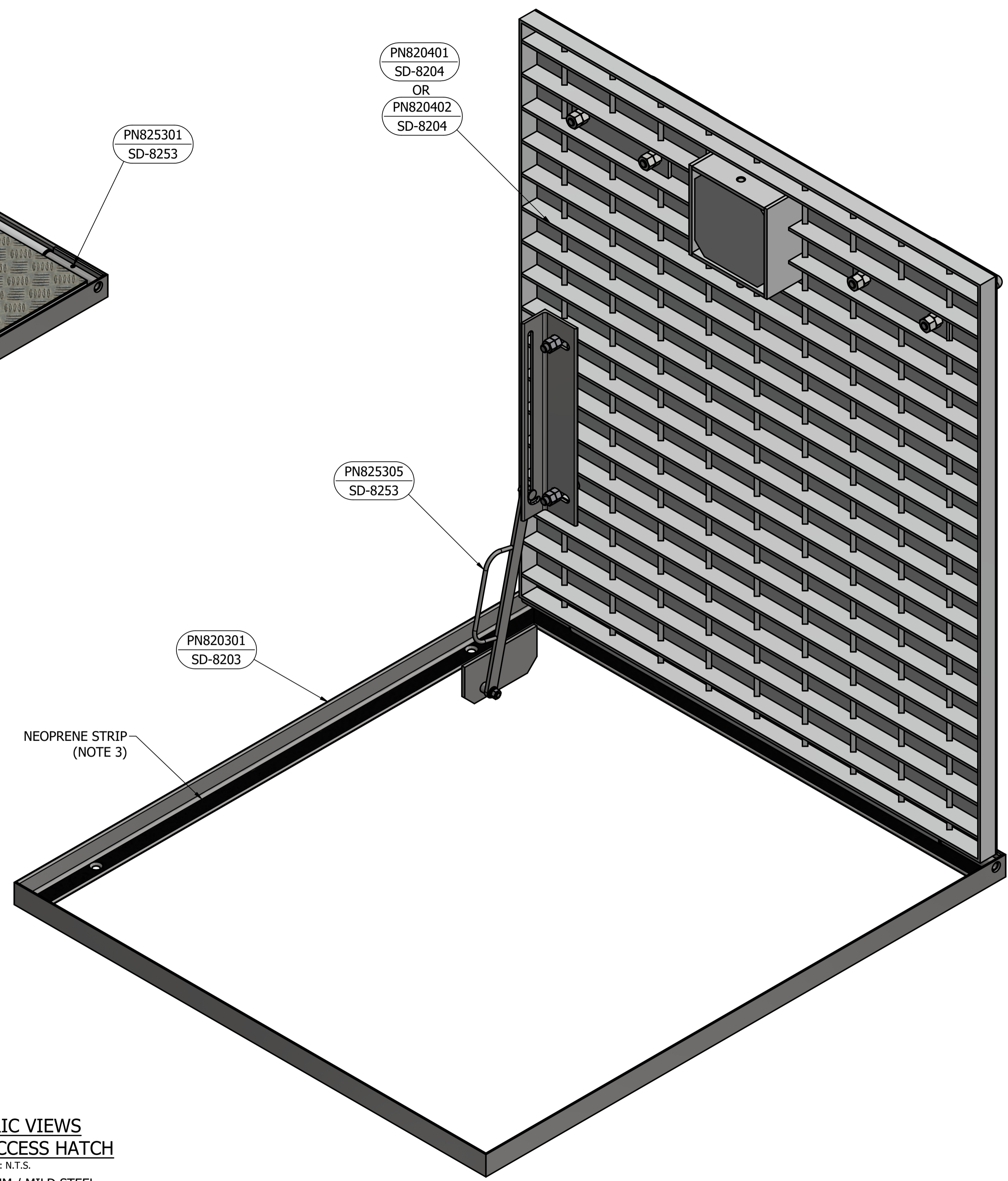
F

G

H



CLOSED POSITION



OPEN POSITION

PARTS LIST				
PART NUMBER	DESCRIPTION	QTY	MASS	REFERENCE
PN820301	HATCH FRAME	1	12 kg (14 kg)	SD-8203
PN820402	HATCH COVER (WEBGRATE STYLE)	1	19 kg (21 kg)	SD-8204
PN820401	HATCH COVER (STIFFENED PLATE STYLE)	1	19 kg (21 kg)	SD-8204
PN825501	LOCK BOX (SLIDE BOLT TYPE)	1	2 kg	SD-8255
PN825103	LIFTING HANDLE (FLUSH FIT TYPE)	2	1 kg	SD-8251
PN825301	HINGE	1	1 kg	SD-8253

MASS SHOWN IN BRACKETS () IS FOR HATCH WITH 900 x 1300 OPENING

NOTES:

- FOR ALUMINIUM FABRICATION NOTES REFER TO DRAWING SD-9103.
- FLUSH FIT ACCESS COVERS ARE AVAILABLE IN TWO STANDARD SIZES TO SUIT ICON WATER'S PORTABLE LIMITED FREE FALL ARREST AND EDGE PROTECTION EQUIPMENT. THESE ARE 900 x 900 C/O AND 900 x 1300 C/O.
- PROVIDE NEOPRENE STRIP BETWEEN HATCH FRAME AND COVER TO ISOLATE DISSIMILAR METALS.
- INSTALLERS TO PROVIDE Ø16 HOLE INTO FRAME SUPPORT STRUCTURE FOR LOCKING PIN.

**ISOMETRIC VIEWS
FLUSH FIT ACCESS HATCH**
SCALE: N.T.S.

MATERIAL: ALUMINIUM / MILD STEEL
 COATING: GALVANISED (MILD STEEL PARTS ONLY)
 FINISH COLOUR: N/A
 MASS: 36 kg (40 kg) INCL. FRAME

ITEM	AMDT.
PN820101	

A	INITIAL ISSUE	15/06/2018	M. Matusiak	K. Danenbergson	D. Eager
No.	ISSUE	DATE	DRAWN	CHECKED	AUTHORISED

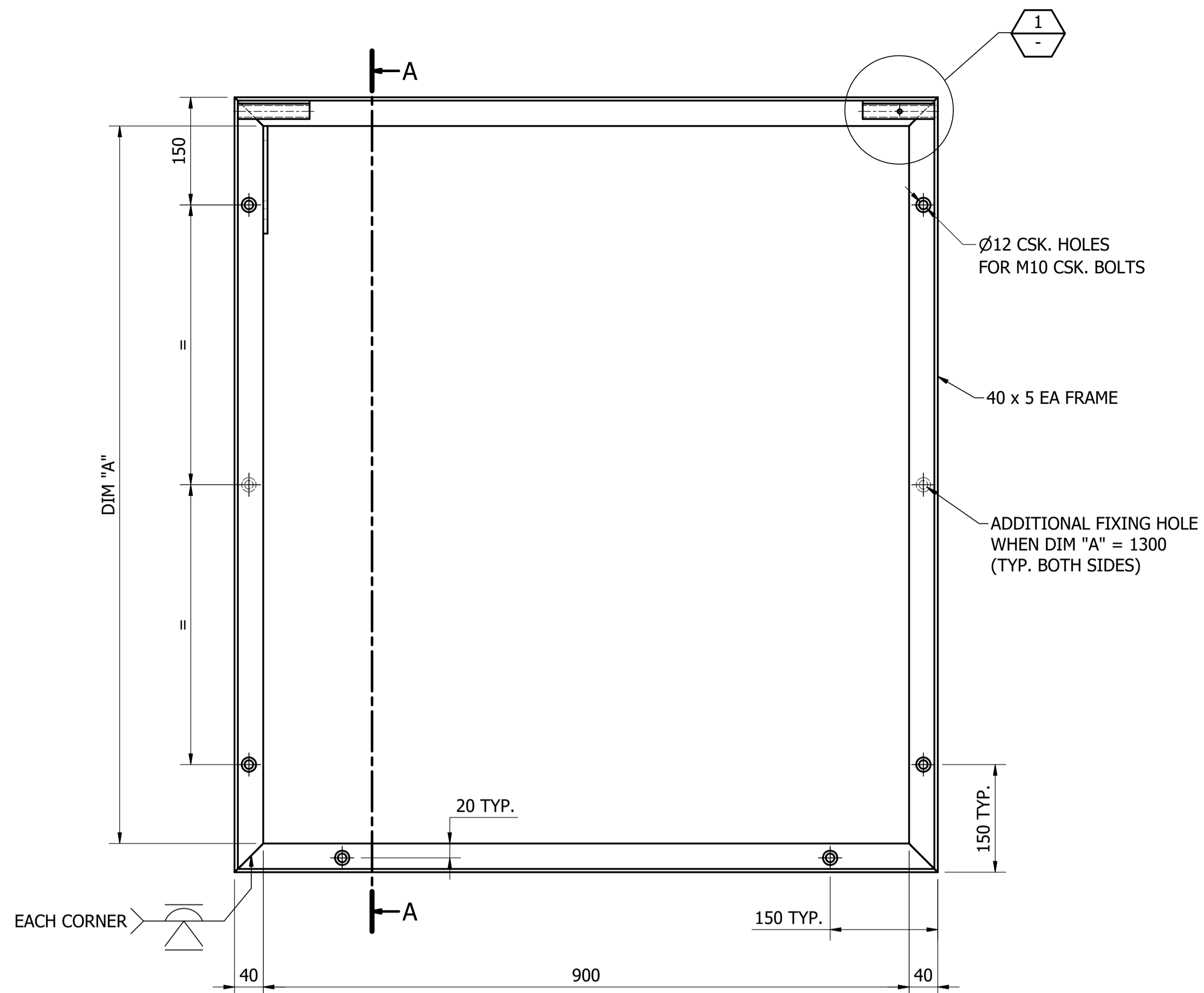
DAM	RES	SPS
BWS	WAT	STP
WTP	SEW	
WPS	REC	
ASSET AREA APPLICABILITY		



STANDARD DRAWING
 FLUSH FIT ACCESS COVERS
 ALUMINIUM, HINGED
 GENERAL ARRANGEMENT

DRAWING STATUS	
Current	
SD-8201-D	
A1	ISSUE A
© Icon Water 2017	

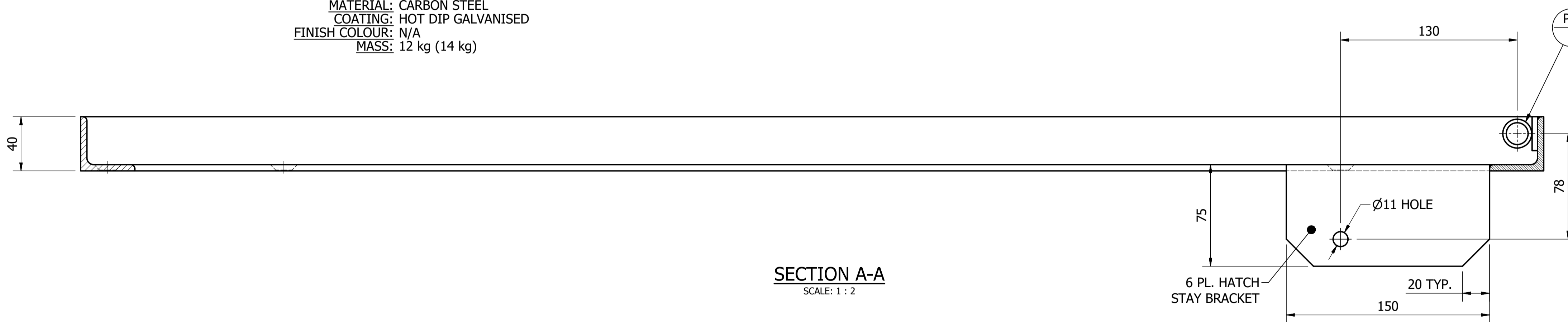
1 2 3 4 5 6 7 8 9 10 11 12



**PLAN
COVER FRAME**

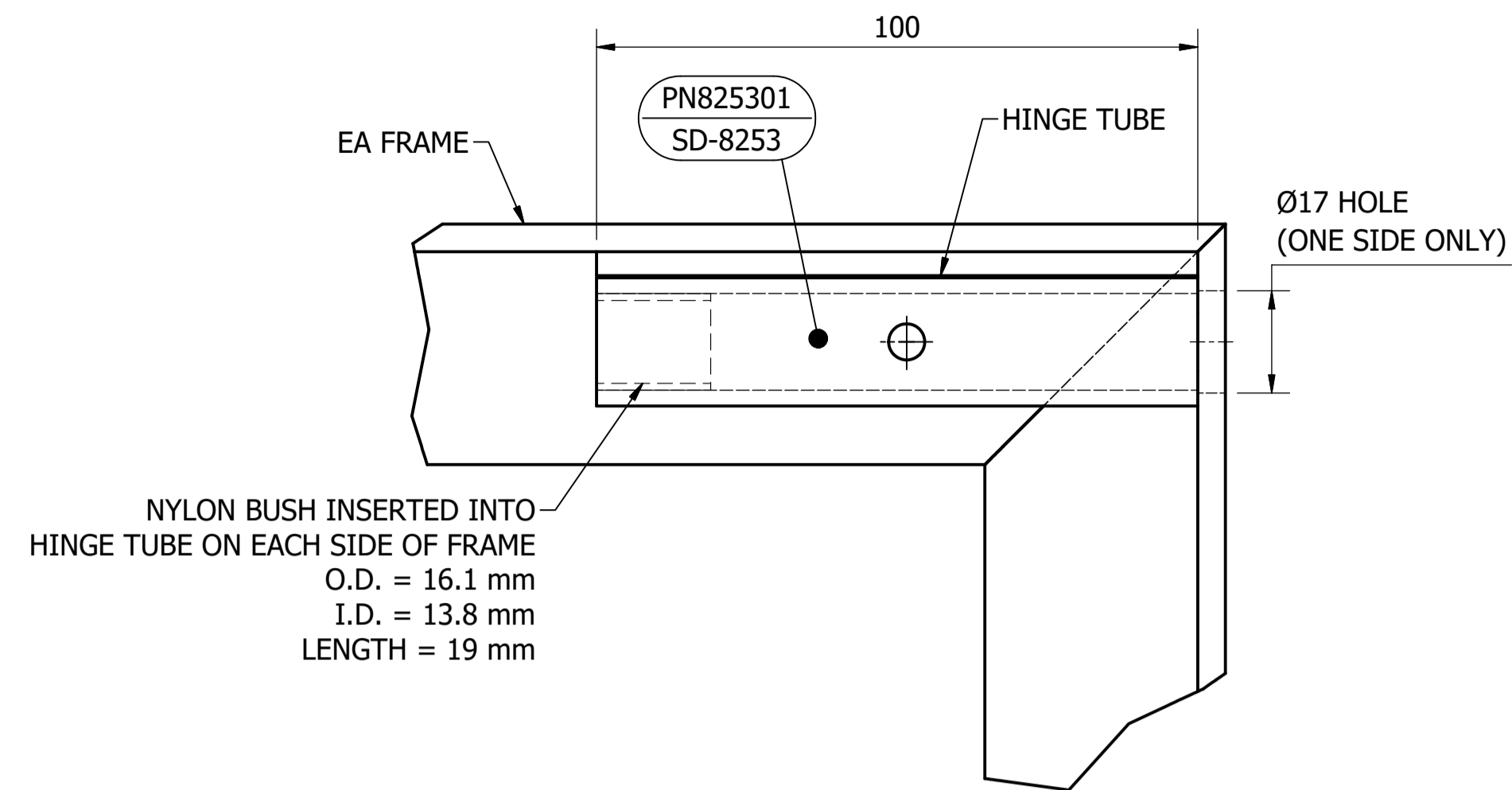
SCALE: 1 : 5

MATERIAL: CARBON STEEL
COATING: HOT DIP GALVANISED
FINISH COLOUR: N/A
MASS: 12 kg (14 kg)



SECTION A-A

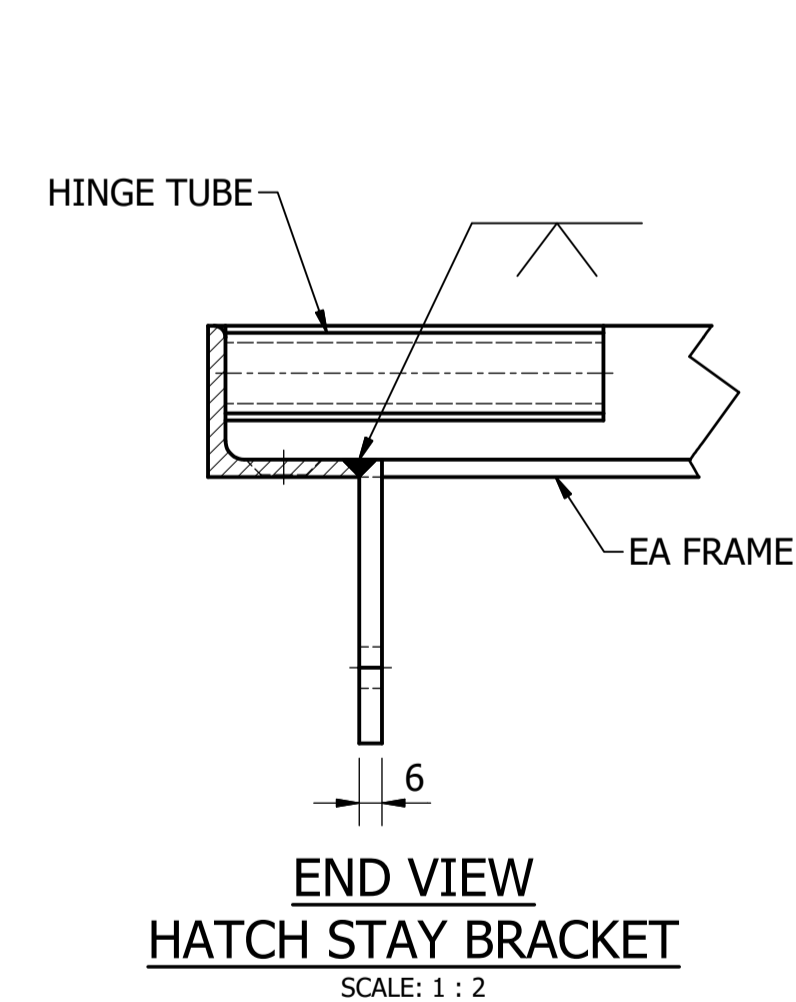
SCALE: 1 : 2



DETAIL 1

SCALE: 1 : 1

DIMENSION VARIABLES		
DIMENSION	VERTICAL RUNG LADDER	INCLINED RUNG LADDER
A	1000	1300



**END VIEW
HATCH STAY BRACKET**

SCALE: 1 : 2

NOTES:

- FOR STEELWORK NOTES REFER TO DRAWING SD-9100.
- MASS SHOWN IN BRACKETS () REFERS TO THE LARGER INCLINED RUNG LADDER HATCH.

ITEM	AMDT.
PN820301	

No.	ISSUE	DATE	DRAWN	CHECKED	AUTHORISED
A	INITIAL ISSUE	15/06/2018	M. Matusiak	K. Danenbergs	D. Eager

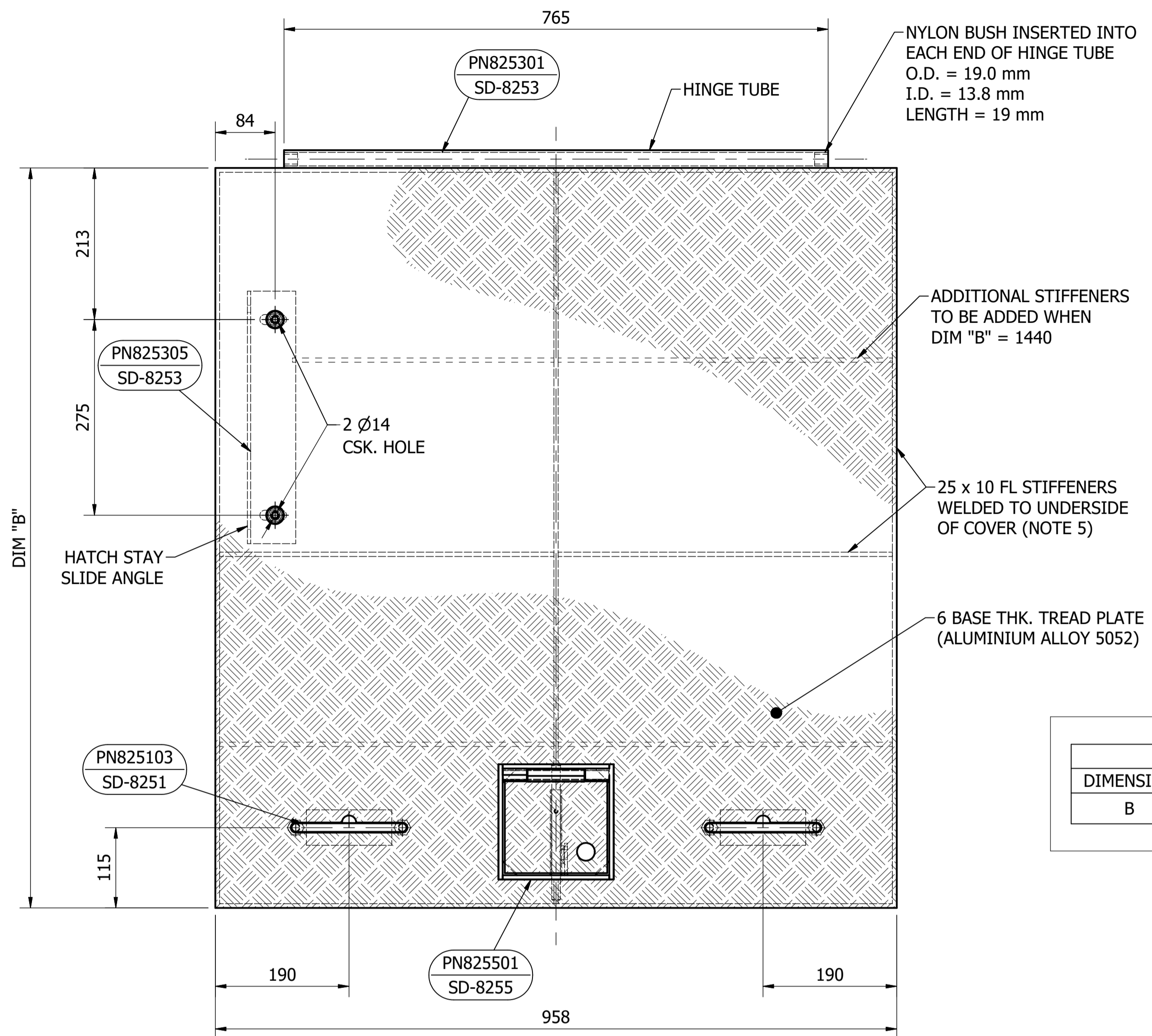
ASSET AREA APPLICABILITY				
DAM	RES	SPS		
BWS	WAT	STP		
WTP	SEW			
WPS	REC			



STANDARD DRAWING
FLUSH FIT ACCESS COVERS
ALUMINIUM, HINGED
BOLT-IN FRAME DETAILS

DRAWING STATUS	
Current	
SD-8203-D	
A1	ISSUE A

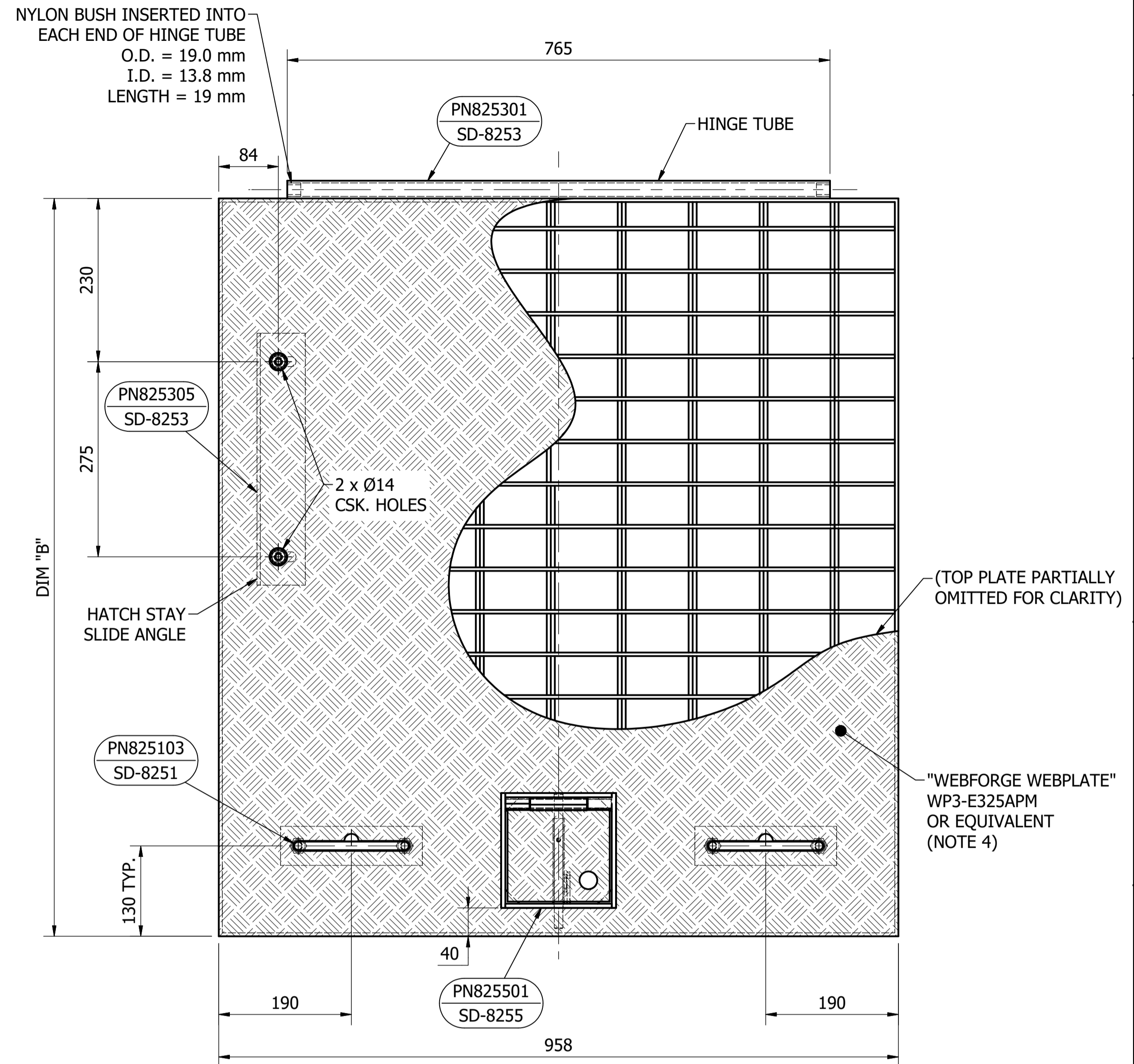
© Icon Water 2017



**PLAN
ACCESS COVER
STIFFENED PLATE STYLE**
SCALE: 1 : 5

MATERIAL: ALUMINIUM
COATING: N/A
FINISH COLOUR: N/A
MASS: 19 kg (21 kg)

DIMENSION VARIABLES		
DIMENSION	VERTICAL RUNG LADDER	INCLINED RUNG LADDER
B	1040	1440



**PLAN
ACCESS COVER
WEBPLATE STYLE**
SCALE: 1 : 5

MATERIAL: ALUMINIUM
COATING: N/A
FINISH COLOUR: N/A
MASS: 19 kg (21 kg)

ITEM	AMDT.
PN820402	

- NOTES:**
- FOR ALUMINIUM FABRICATION NOTES REFER TO DRAWING SD-9103.
 - ALL STAINLESS STEEL FIXTURES INTO ALUMINIUM TO BE SEPARATED WITH INSULATING BUSHES AND RETAINING RINGS OR WASHERS.
 - MASS SHOWN IN BRACKETS () REFERS TO THE LARGER INCLINED RUNG LADDER HATCH.
 - CARE TO BE TAKEN TO ALIGN WEBPLATE LOAD BARS AND CROSS RODS AS TO NOT INTERFERE WITH LIFTING HANDLES AND HATCH STAY.
 - INSTALL NEOPRENE STRIP AS ISOLATION BETWEEN STIFFENER BARS AND ALUMINIUM PLATE.

ITEM	AMDT.
PN820401	

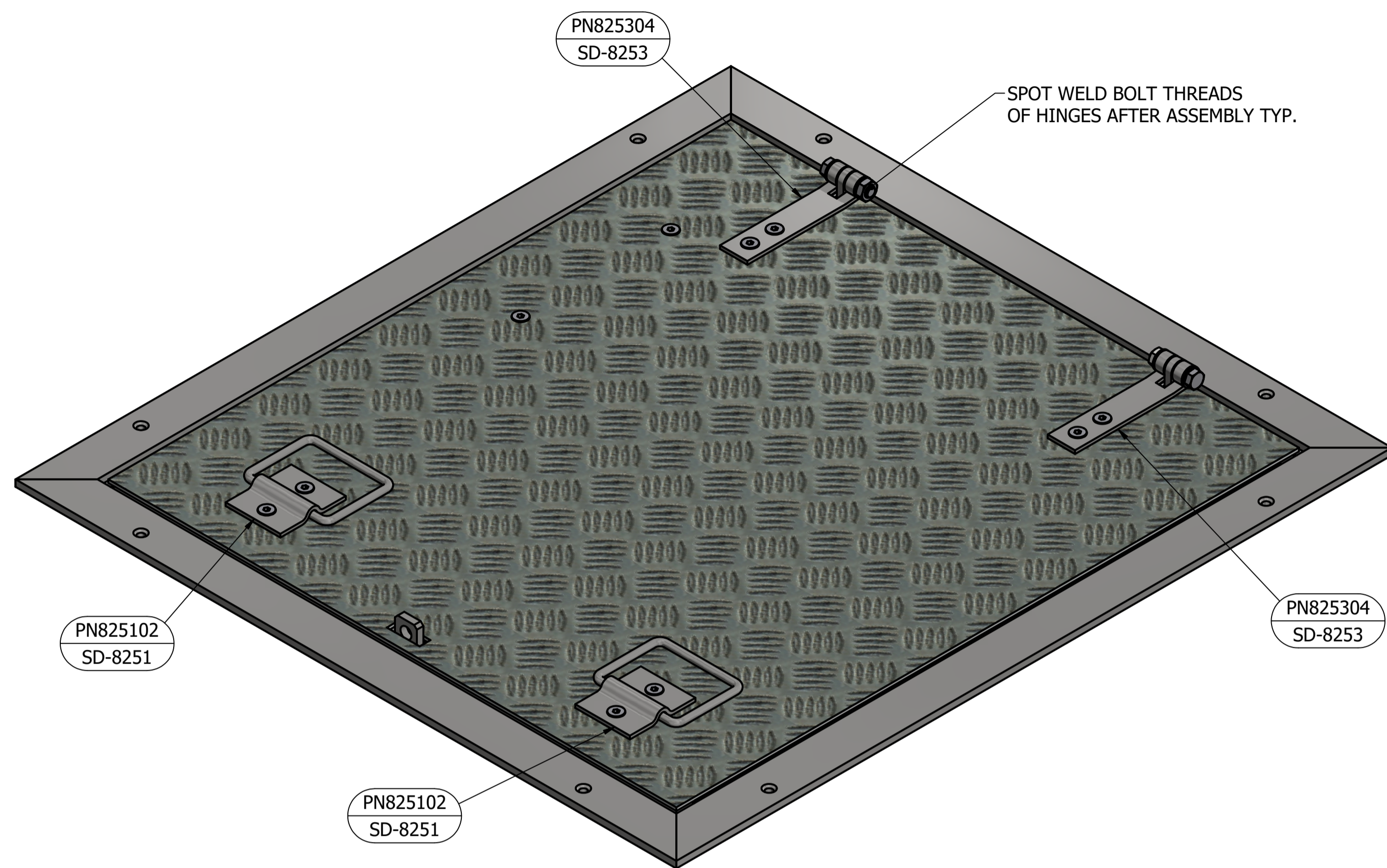
No.	ISSUE	DATE	DRAWN	CHECKED	AUTHORISED
A	INITIAL ISSUE	15/06/2018	M. Matusiak	K. Danenbergson	D. Eager

ASSET AREA APPLICABILITY				
DAM	RES	SPS	WAT	STP
BWS	WAT	STP	WTP	SEW
WPS	REC			

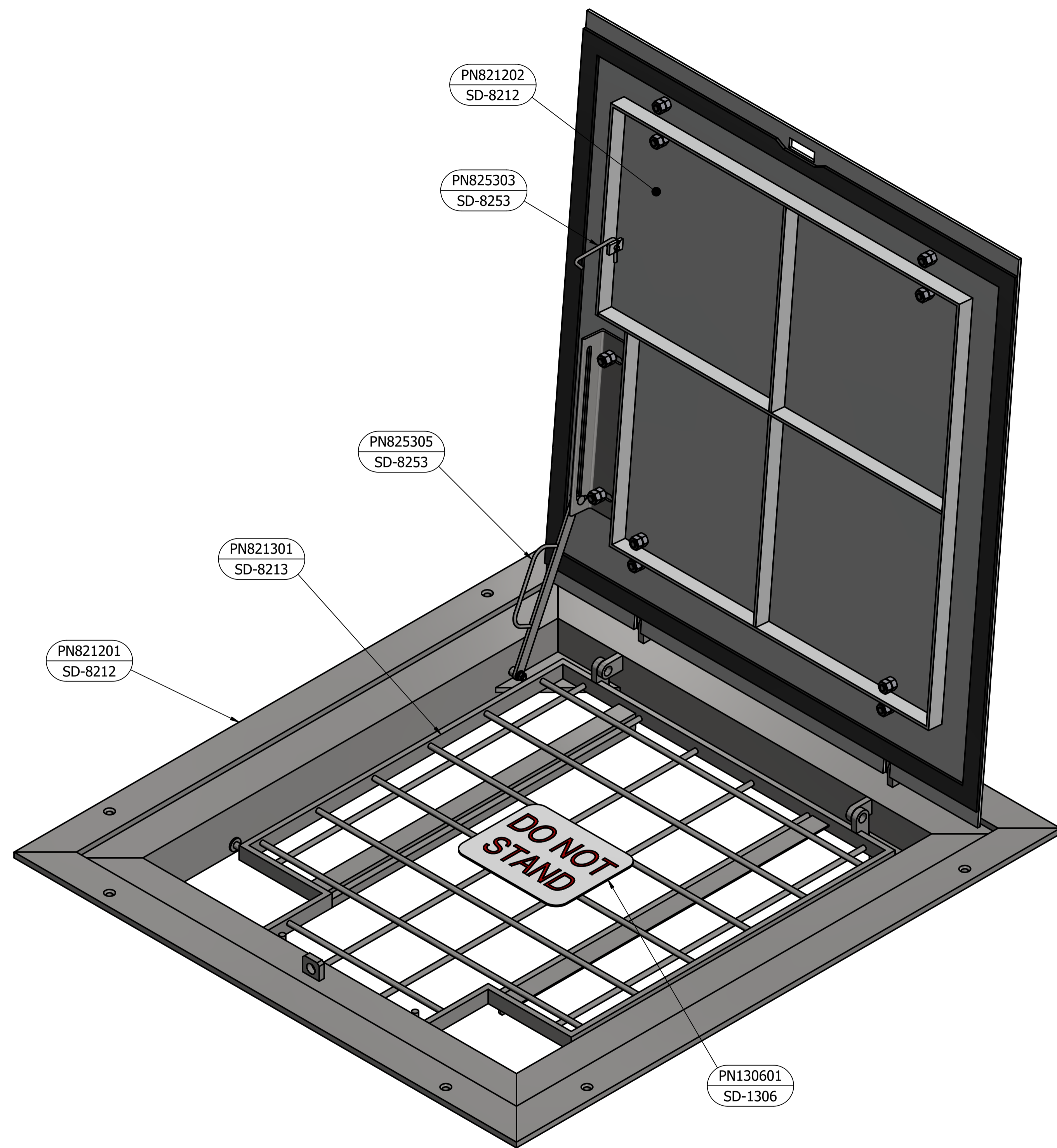


STANDARD DRAWING
FLUSH FIT ACCESS COVERS
ALUMINIUM, HINGED
COVER DETAILS

DRAWING STATUS	
Current	
SD-8204-D	ISSUE A
A1	© Icon Water 2017



CLOSED POSITION



OPEN POSITION

PARTS LIST				
PART NUMBER	DESCRIPTION	QTY	MASS	REFERENCE
PN821201	HATCH FRAME	1	95 kg (110 kg)	SD-8212
PN821202	HATCH COVER	1	25 kg (30 kg)	SD-8212
PN821301	SAFETY GRATE	1	20 kg (30 kg)	SD-8213
PN825304	HINGE	2	1 kg	SD-8253
PN825102	LIFTING HANDLE	2	1 kg	SD-8251
PN825305	HATCH STAY	1	2 kg	SD-8253
PN825303	HATCH CATCH PIN	1	0.1 kg	SD-8253
PN130601	"DO NOT STAND" SIGN	1	2 kg	SD-1306

MASS SHOWN IN BRACKETS () IS FOR HATCH WITH 900 x 1300 OPENING

NOTES:

- FOR ALUMINIUM FABRICATION NOTES REFER TO DRAWING SD-9103.
- GAS-TIGHT ACCESS COVERS ARE AVAILABLE IN TWO STANDARD SIZES TO SUIT ICON WATER'S PORTABLE LIMITED FREE FALL ARREST AND EDGE PROTECTION EQUIPMENT. THESE ARE 900 x 1000 C/O AND 900 x 1300 C/O.

**ISOMETRIC VIEWS
GAS-TIGHT ACCESS HATCH**

SCALE: N.T.S.

MATERIAL: STAINLESS STEEL / ALUMINIUM
 COATING: N/A
 FINISH COLOUR: N/A
 MASS: APPROX. 125 kg (145 kg) (INCL. FRAME)

ITEM	AMDT.
PN821101	

No.	ISSUE	DATE	DRAWN	CHECKED	AUTHORISED
A	INITIAL ISSUE	15/06/2018	M. Matusiak	K. Danenbergson	D. Eager

ICON WATER ACKNOWLEDGES SYDNEY WATER CORPORATION IN THE DEVELOPMENT OF THIS DRAWING

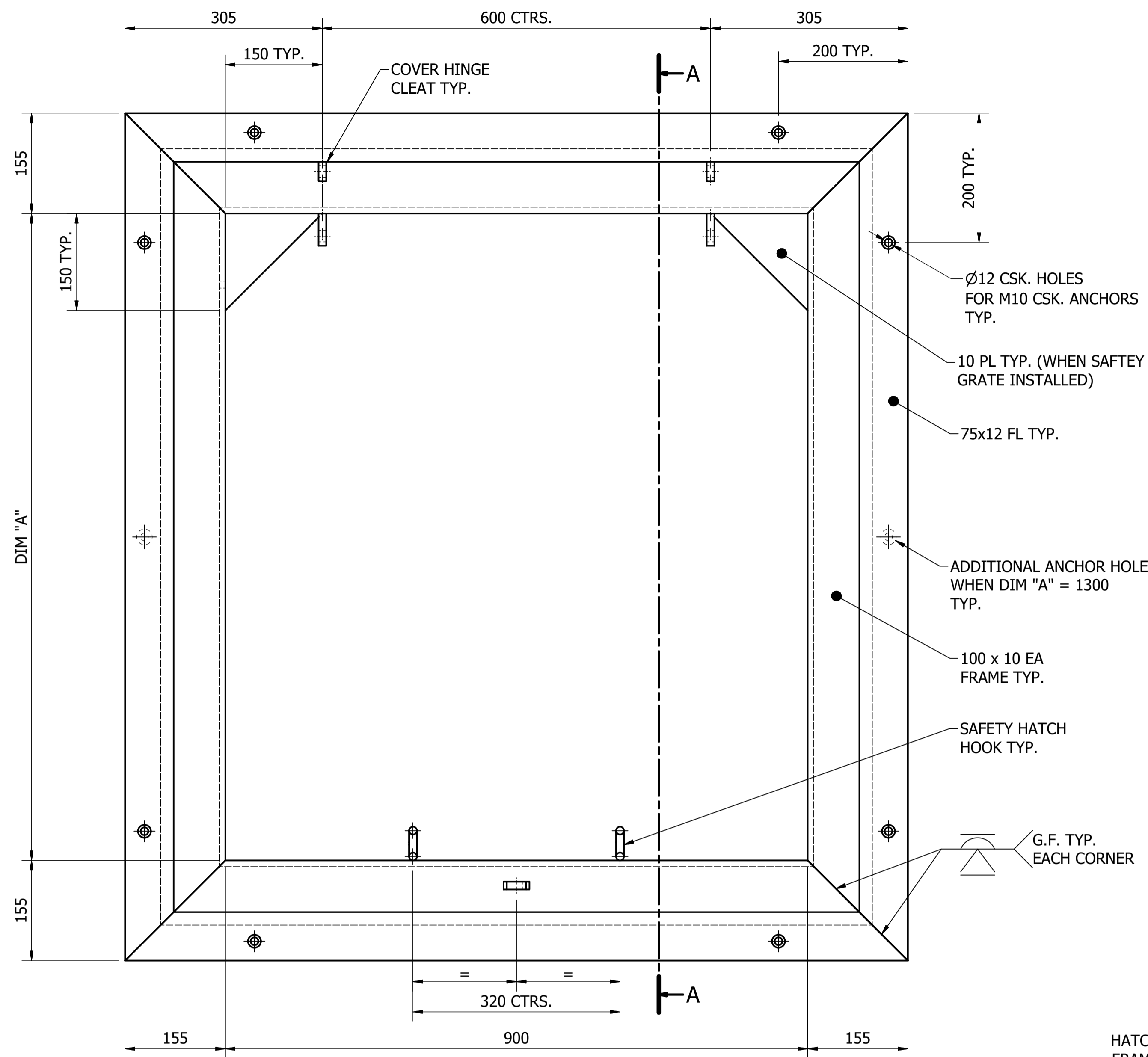
DAM	RES	SPS	WAT	STP
WTP	SEW			
WPS	REC			



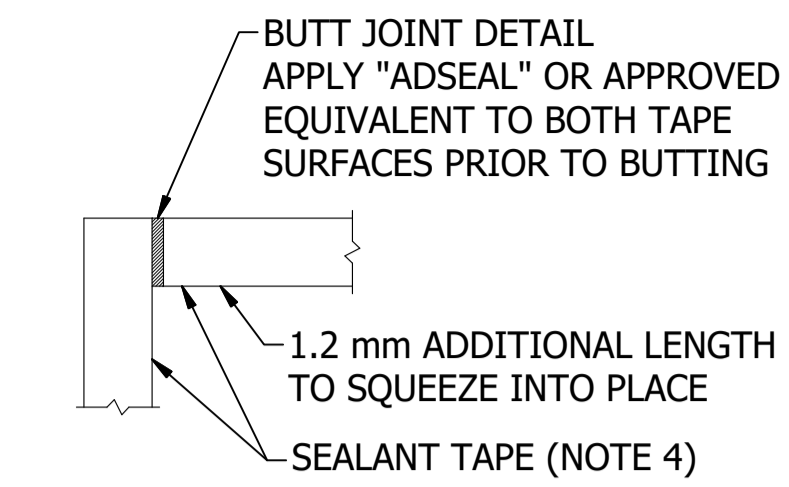
STANDARD DRAWING
 GAS-TIGHT ACCESS COVERS
 ALUMINIUM, HINGED
 GENERAL ARRANGEMENT

DRAWING STATUS	
Current	
SD-8211-D	
A1	ISSUE A

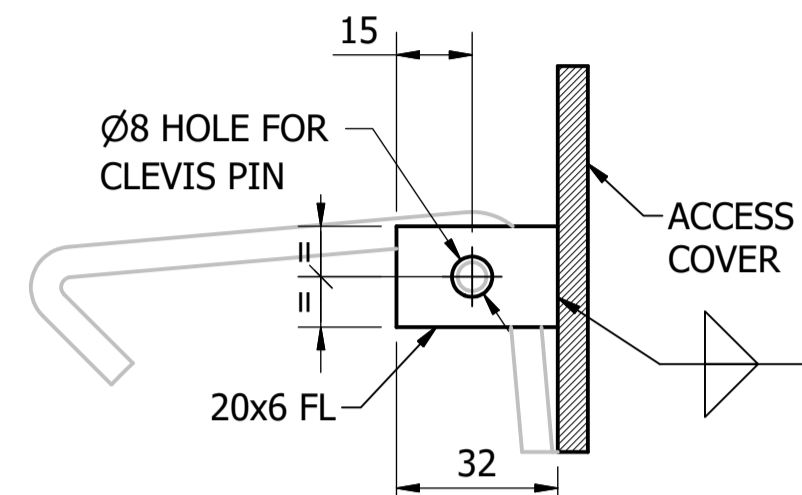
© Icon Water 2017



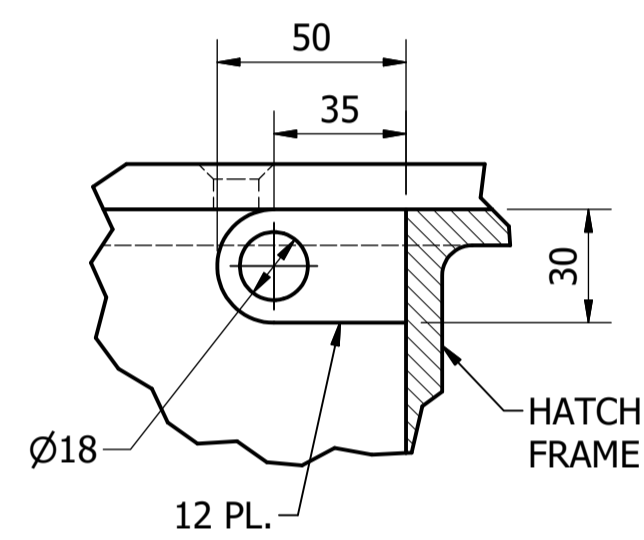
PLAN COVER FRAME
SCALE: 1 : 5
MATERIAL: STAINLESS STEEL
COATING: N/A
FINISH COLOUR: N/A
MASS: 95 kg (110 kg)



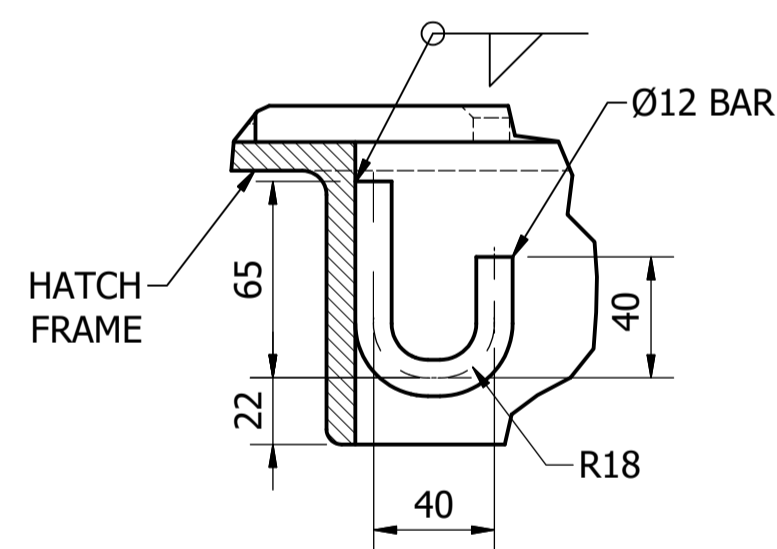
TYPICAL SEALING TAPE CORNER DETAIL
SCALE: N.T.S.



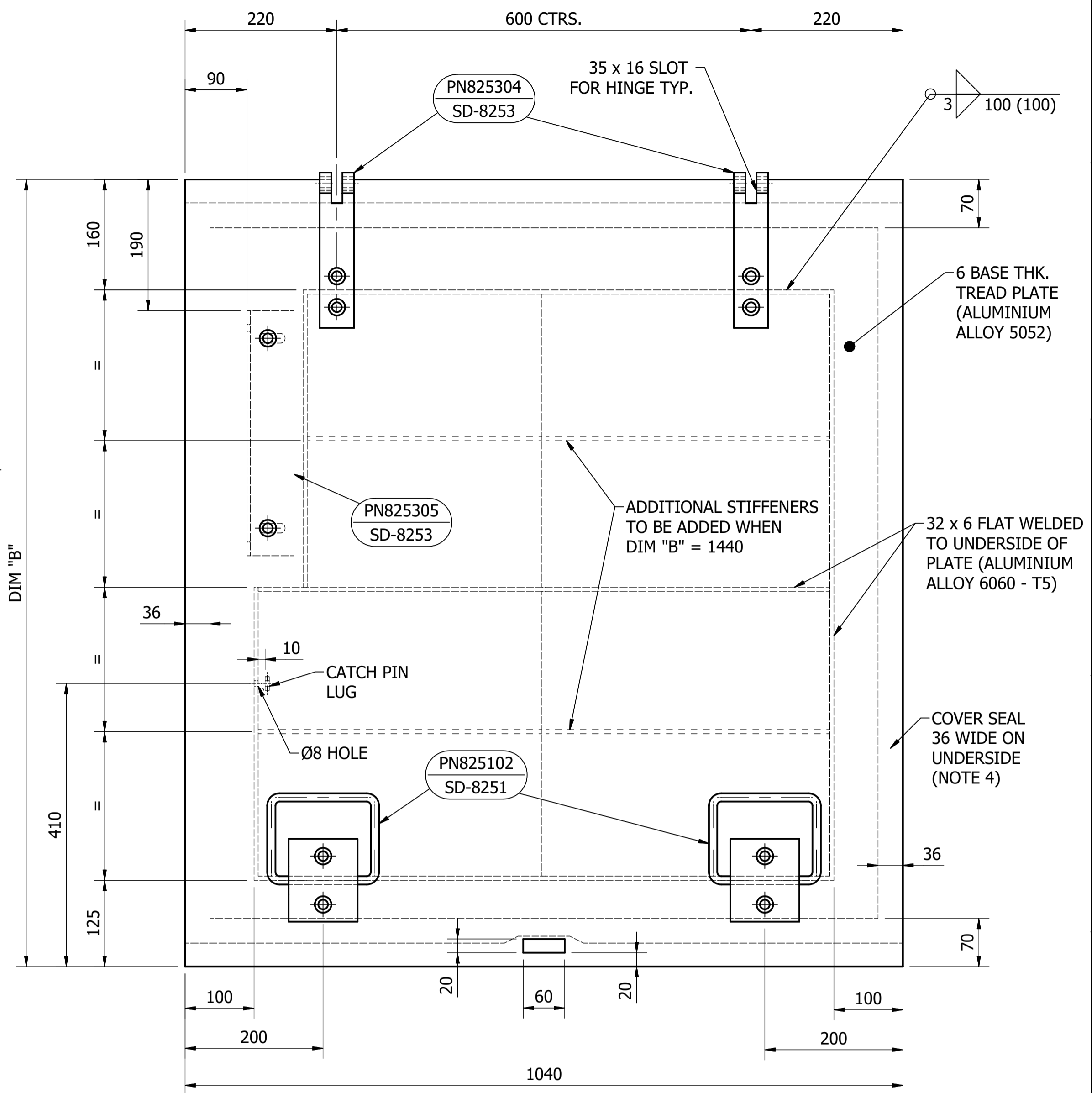
CATCH PIN LUG
SCALE: N.T.S.



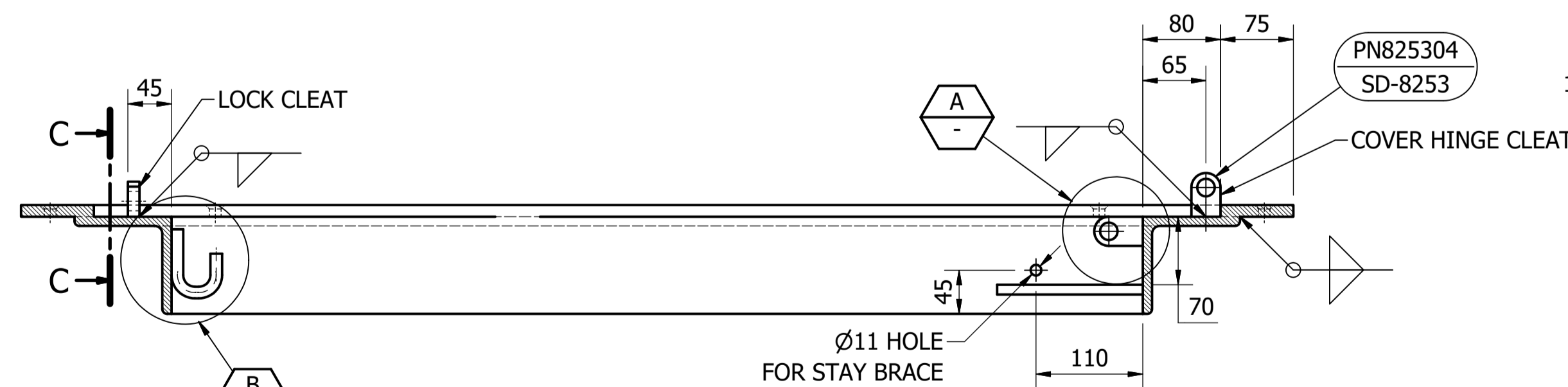
DETAIL A SAFETY HATCH HINGE
SCALE: 1 : 2



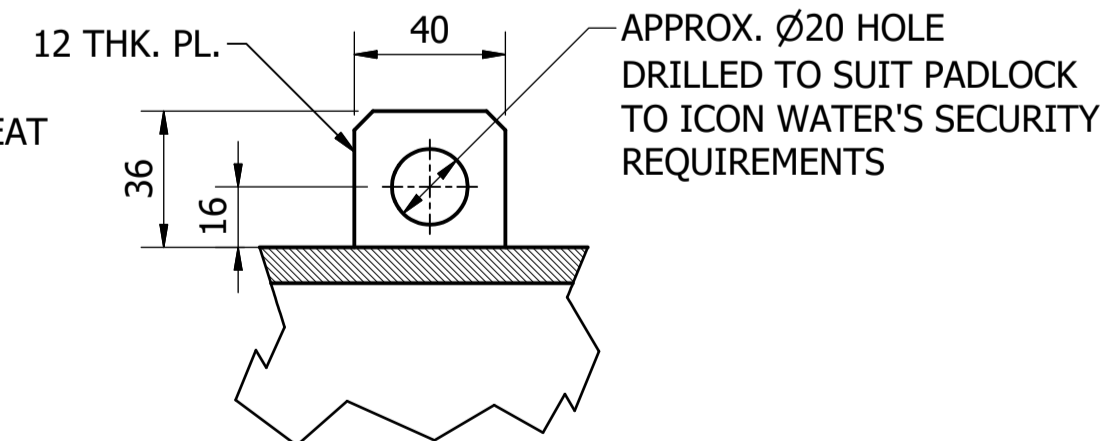
DETAIL B SAFETY HATCH HOOK
SCALE: 0.40 : 1



PLAN ACCESS COVER
SCALE: 1 : 5
MATERIAL: ALUMINIUM
COATING: N/A
FINISH COLOUR: N/A
MASS: 30 kg (35 kg)



SECTION A-A
SCALE: 1 : 5



SECTION C-C LOCK CLEAT
SCALE: 1 : 2

NOTES:

- FOR ALUMINIUM FABRICATION NOTES REFER TO DRAWING SD-9103.
- TREAD TEXTURE TO BE GROUND FLAT UNDER HINGES AND HANDLES. STAINLESS STEEL AND ALUMINIUM TO BE INSULATED WITH "DENSO" PRIMER D AND DENSOPOL 60 TAPE OR APPROVED EQUIVALENT.
- ALL STAINLESS STEEL FIXTURES INTO ALUMINIUM TO BE SEPARATED WITH INSULATING BUSHES AND RETAINING RINGS OR WASHERS.
- WIPE HATCH COVER WITH A CLEAN, LINT-FREE, DRY CLOTH TO ENSURE ABSENCE OF GREASE, DIRT OR MOISTURE PRIOR TO APPLICATION OF TAPE. REFER TO DRAWING SD-8214 WHICH DETAILS TAPE TYPE AND ADDITIONAL INSTALLATION REQUIREMENTS.
- MASS SHOWN IN BRACKETS () REFERS TO THE LARGER INCLINED RUNG LADDER.
- REFER TO DRAWING SD-8214-C FOR HATCH CONNECTION TO CONCRETE DETAILS.

DIMENSION VARIABLES		
DIMENSION	VERTICAL RUNG LADDER	INCLINED RUNG LADDER
A	1000	1300
B	1140	1440

ITEM	AMDT.
PN821201	

No.	ISSUE	DATE	DRAWN	CHECKED	AUTHORISED
A	INITIAL ISSUE	15/06/2018	M. Matusiak	K. Danenbergson	D. Eager

ICON WATER ACKNOWLEDGES SYDNEY WATER CORPORATION IN THE DEVELOPMENT OF THIS DRAWING

DAM	RES	SPS
BWS	WAT	STP
WTP	SEW	
WPS	REC	



STANDARD DRAWING
GAS-TIGHT ACCESS COVERS ALUMINIUM, HINGED
ASSEMBLY AND DETAILS

DRAWING STATUS	
Current	
SD-8212-D	
A1	ISSUE A

© Icon Water 2017

1 2 3 4 5 6 7 8 9 10 11 12

A

B

C

D

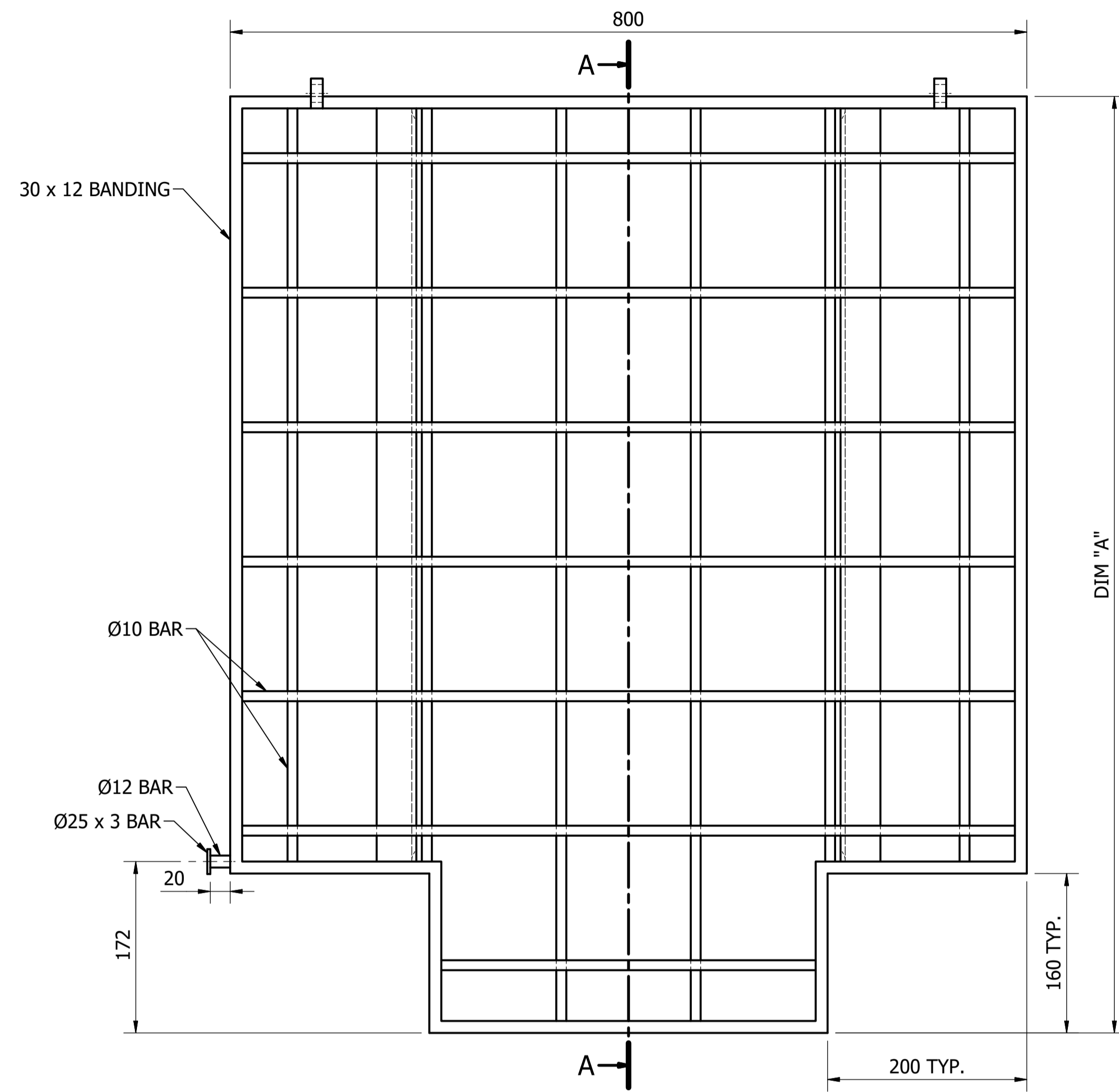
E

F

G

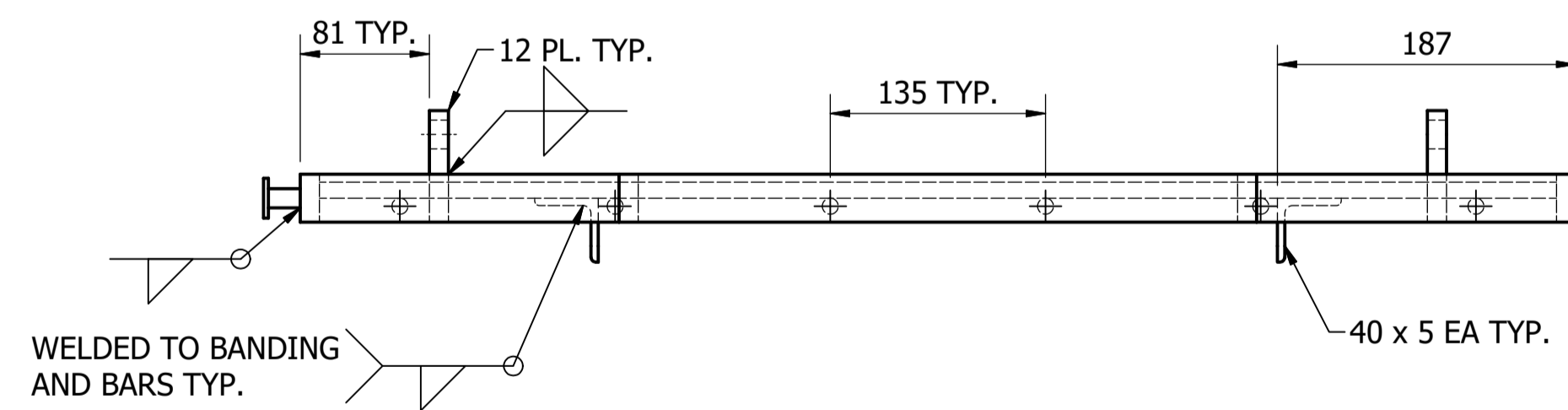
NOTES:

1. FOR ALUMINIUM FABRICATION NOTES REFER TO DRAWING SD-9103.

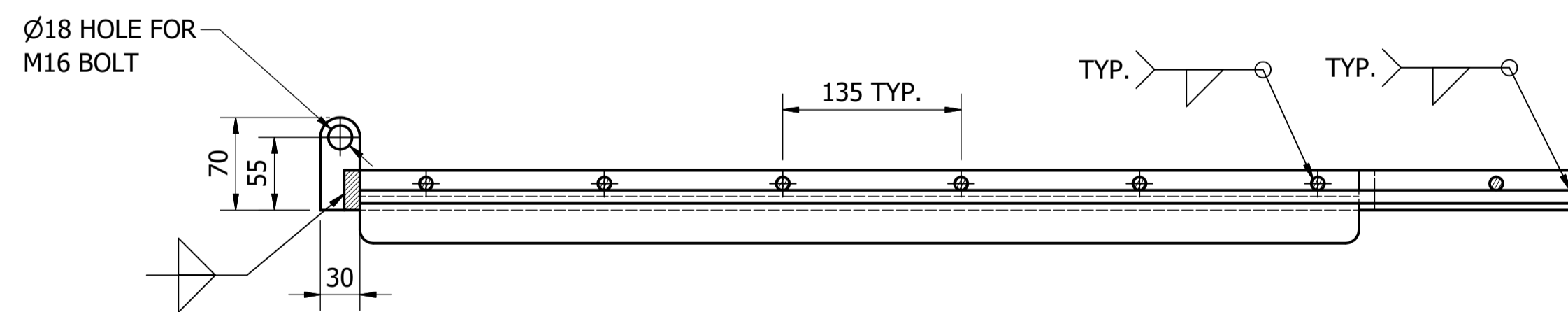


DIMENSION VARIABLES		
DIMENSION	VERTICAL RUNG LADDER	INCLINED RUNG LADDER
A	940	1240

PLAN VIEW



FRONT VIEW



SECTION A-A

SAFETY GRATE
SCALE: 1 : 4

ITEM	AMDT.
PN821301	

No.	ISSUE	DATE	DRAWN	CHECKED	AUTHORISED
A	INITIAL ISSUE	15/06/2018	S. Essery	K. Danenbergsons	D. Eager
B	DRAWING NOW - D	19/06/2019	S. Essery	K. Danenbergsons	C. Patrick

ICON WATER ACKNOWLEDGES SYDNEY WATER CORPORATION IN THE DEVELOPMENT OF THIS DRAWING

DAM	RES	SPS	WAT	STP



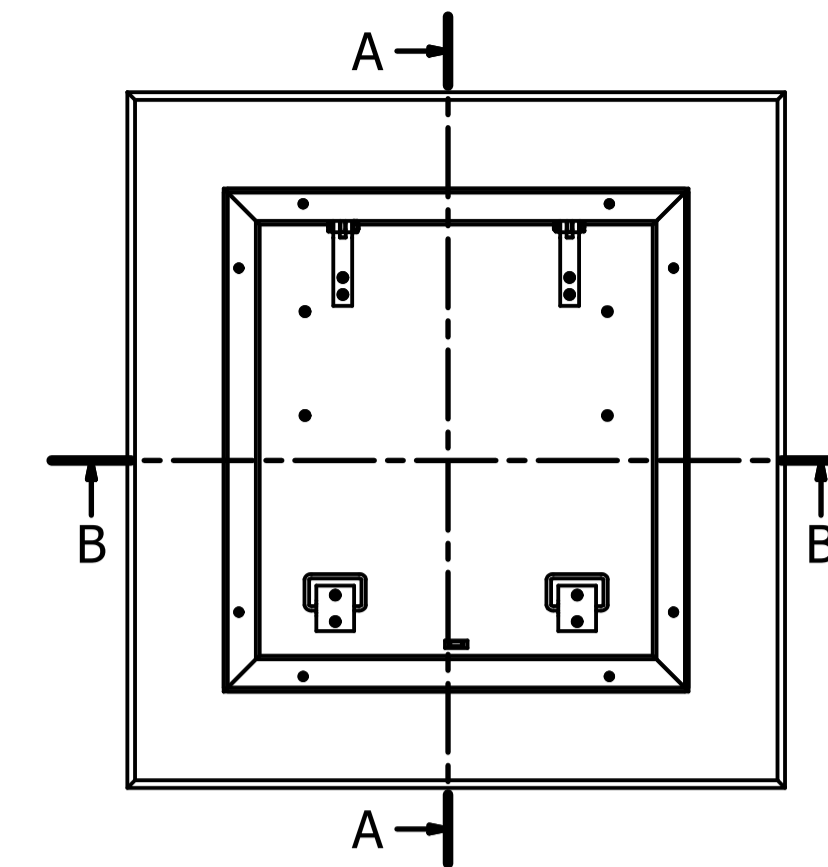
STANDARD DRAWING
GAS-TIGHT ACCESS COVERS ALUMINIUM, HINGED
GRATE INSERT DETAILS

DRAWING STATUS	
Current	
SD-8213-D	
A1	ISSUE B

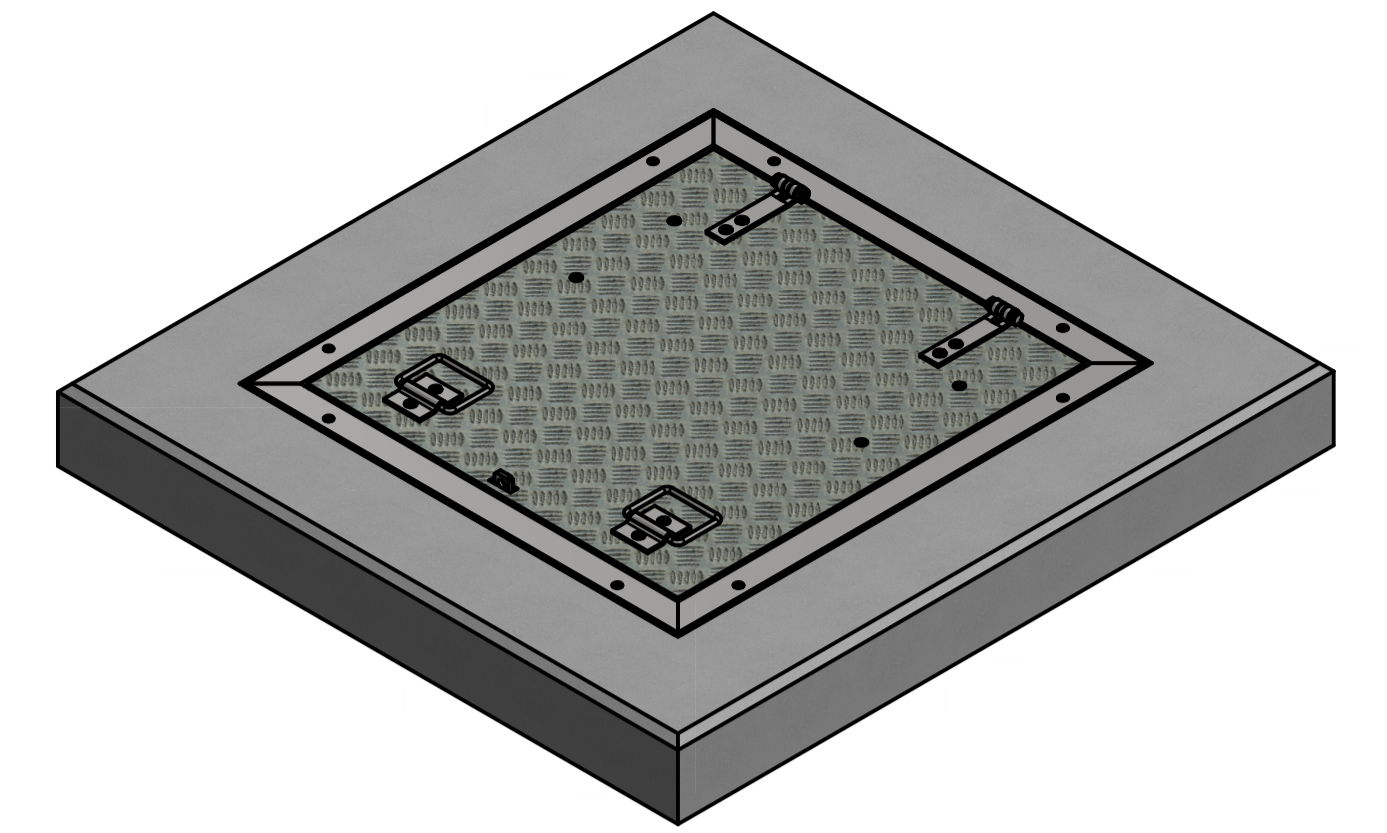
1 2 3 4 5 6 7 8 9 10 11 12

NOTES:

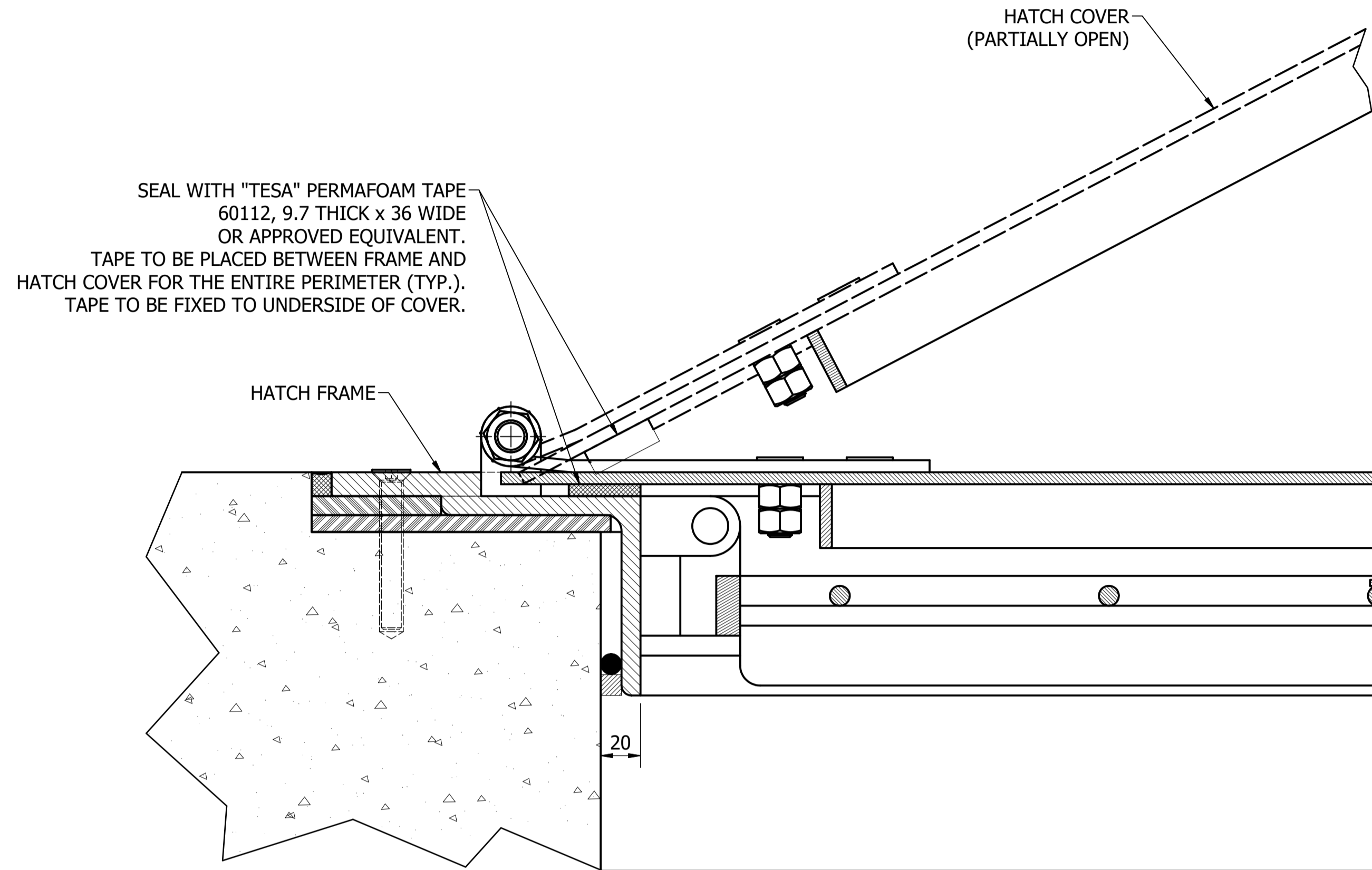
1. FOR ALUMINIUM FABRICATION NOTES REFER TO DRAWING SD-9103.



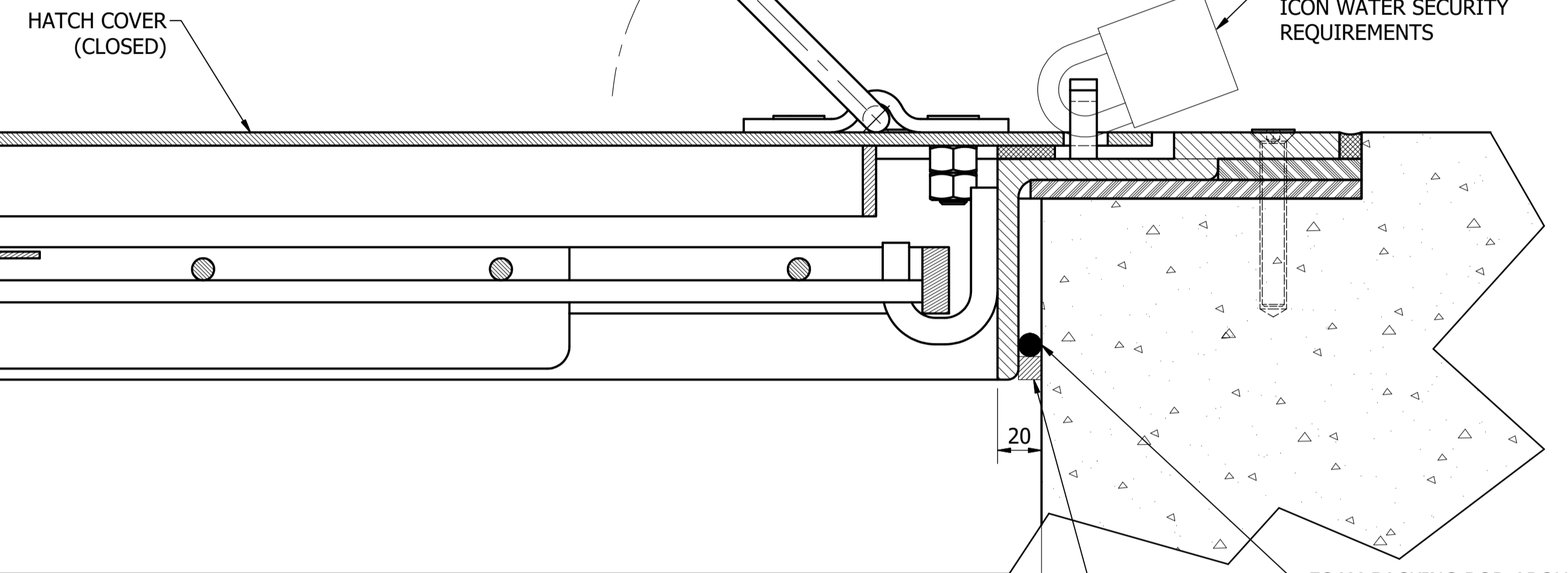
PLAN
TYPICAL INSTALLATION IN CONCRETE
SCALE: 1 : 20



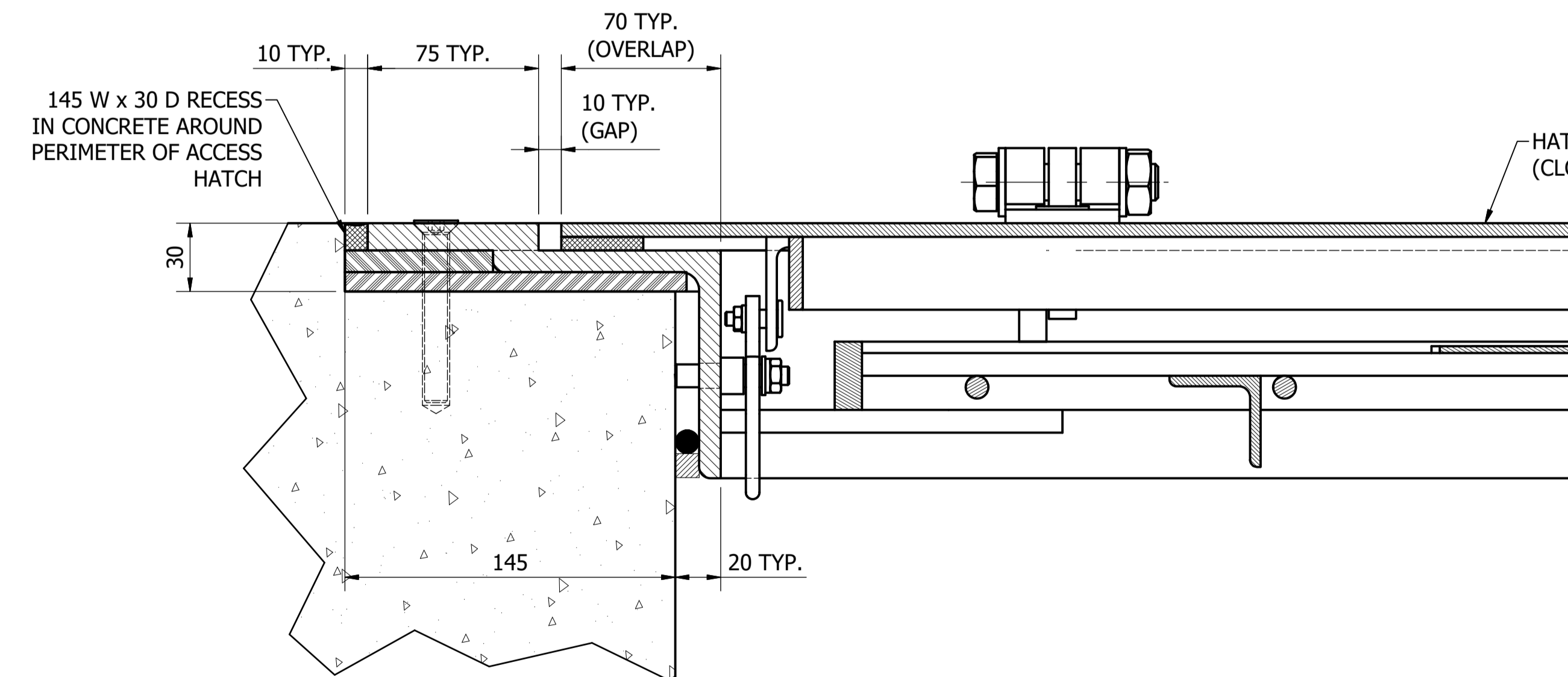
ISOMETRIC VIEW
SCALE: N.T.S.



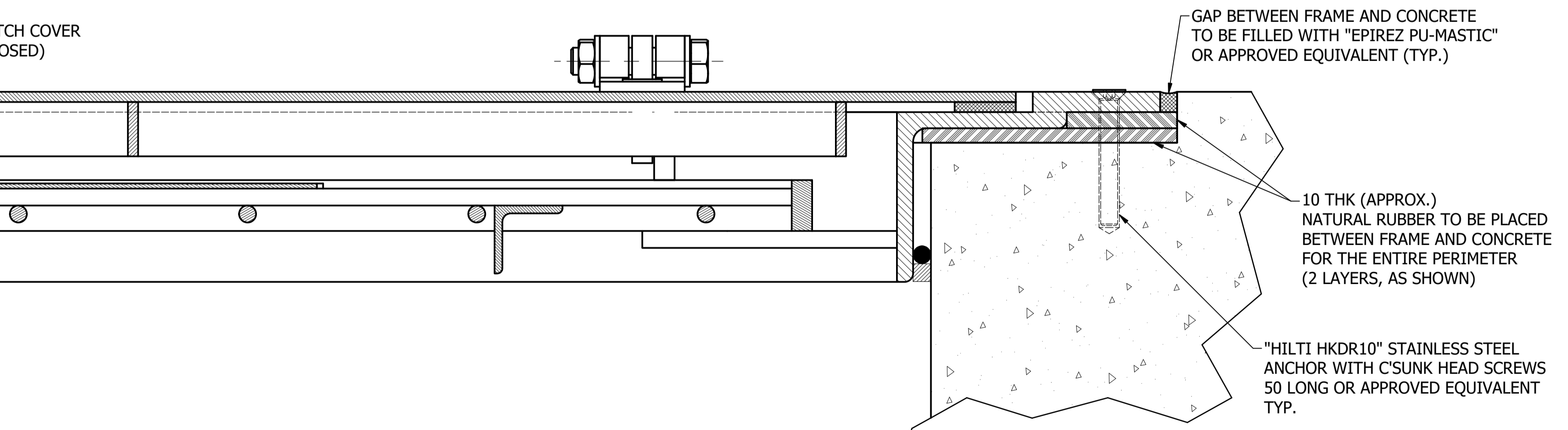
SEAL WITH "TESA" PERMAFOAM TAPE 60112, 9.7 THICK x 36 WIDE OR APPROVED EQUIVALENT. TAPE TO BE PLACED BETWEEN FRAME AND HATCH COVER FOR THE ENTIRE PERIMETER (TYP.). TAPE TO BE FIXED TO UNDERSIDE OF COVER.



SECTION A-A
SCALE: 1 : 2



SECTION B-B
SCALE: 1 : 2



No.	ISSUE	DATE	DRAWN	CHECKED	AUTHORISED
A	INITIAL ISSUE	15/06/2018	M. Matusiak	K. Danenbergsons	D. Eager
B	DRAWING NOW - D	19/06/2019	S. Essery	K. Danenbergsons	C. Patrick

ICON WATER ACKNOWLEDGES SYDNEY WATER CORPORATION IN THE DEVELOPMENT OF THIS DRAWING

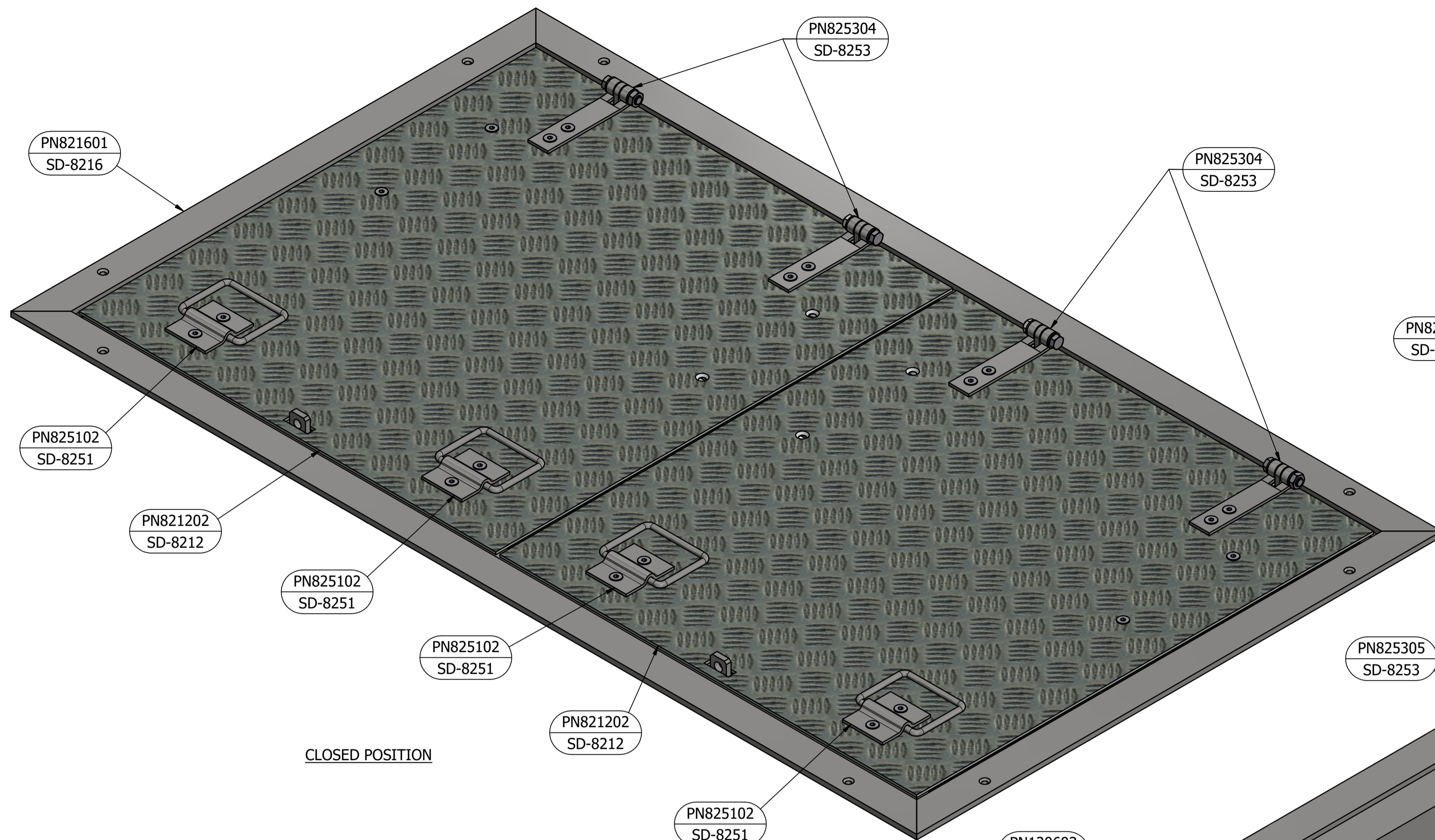
ASSET AREA APPLICABILITY			
DAM	RES	SPS	X
BWS	WAT	STP	X
WTP	SEW		X
WPS	REC		



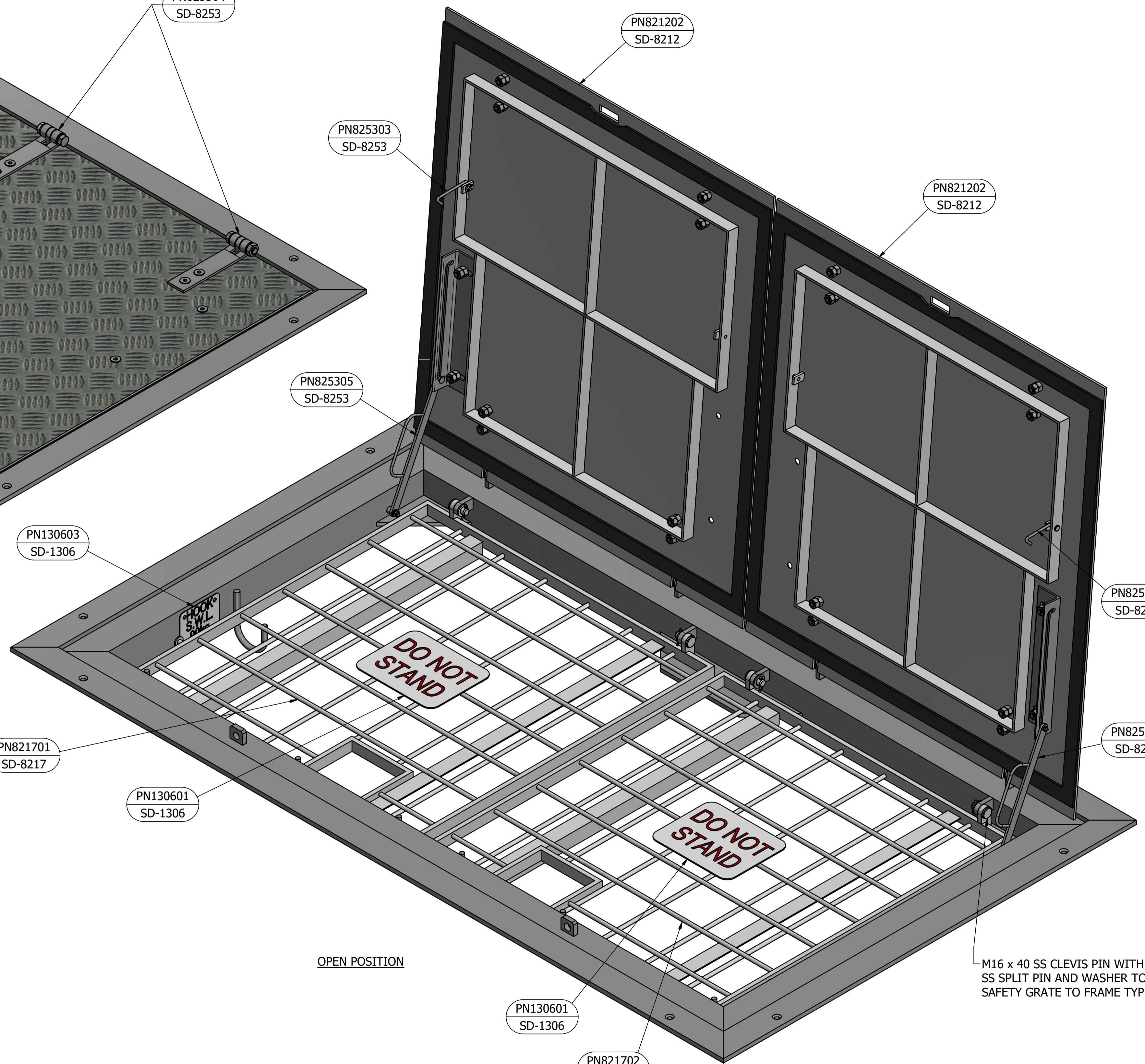
STANDARD DRAWING
GAS-TIGHT ACCESS COVERS ALUMINIUM, HINGED
TYPICAL INSTALLATION

DRAWING STATUS	
Current	
SD-8214-D	
A1	ISSUE B

© Icon Water 2017



CLOSED POSITION



OPEN POSITION

M16 x 40 SS CLEVIS PIN WITH SS SPLIT PIN AND WASHER TO FIX SAFETY GRATE TO FRAME TYP.

PARTS LIST				
PART NUMBER	DESCRIPTION	QTY	MASS	REFERENCE
PN821601	HATCH FRAME	1	150 kg	SD-8216
PN821202	MAIN HATCH COVER	2	25 kg	SD-8212
PN825303	SAFETY GRATE CATCH PIN	2	0.25 kg	SD-8253
PN821701	SAFETY GRATE (LEFT HAND SIDE)	1	10 kg	SD-8217
PN821702	SAFETY GRATE (RIGHT HAND SIDE)	1	10 kg	SD-8217
PN825304	HINGE	4	1 kg	SD-8253
PN825102	LIFTING HANDLE	4	1 kg	SD-8251
PN825305	HATCH STAY	2	2 kg	SD-8253
PN130601	SAFETY SIGN (DO NOT STAND)	2	1.5 kg	SD-1306
PN130603	SAFETY SIGN (HOOK SWL) SMALL	1 PER HOOK	0.2 kg	SD-1306

- NOTES:**
1. THIS HATCH DESIGN IS ONLY APPLICABLE TO SEWAGE PUMPING STATION WET WELL ACCESS. REFER "SD-4100" SERIES OF DRAWINGS FOR ADDITIONAL DETAILS.
 2. FOR ALUMINIUM FABRICATION NOTES REFER TO DRAWING SD-9103.
 3. FOR STEEL FABRICATION NOTES REFER TO DRAWING SD-9100

ITEM	AMDT.
PN821501	

No.	ISSUE	DATE	DRAWN	CHECKED	AUTHORISED
A	INITIAL ISSUE	8/06/2018	M. Matusiak	K. Danenbergsons	C. Patrick

ICON WATER ACKNOWLEDGES SYDNEY WATER CORPORATION IN THE DEVELOPMENT OF PARTS OF THIS DRAWING

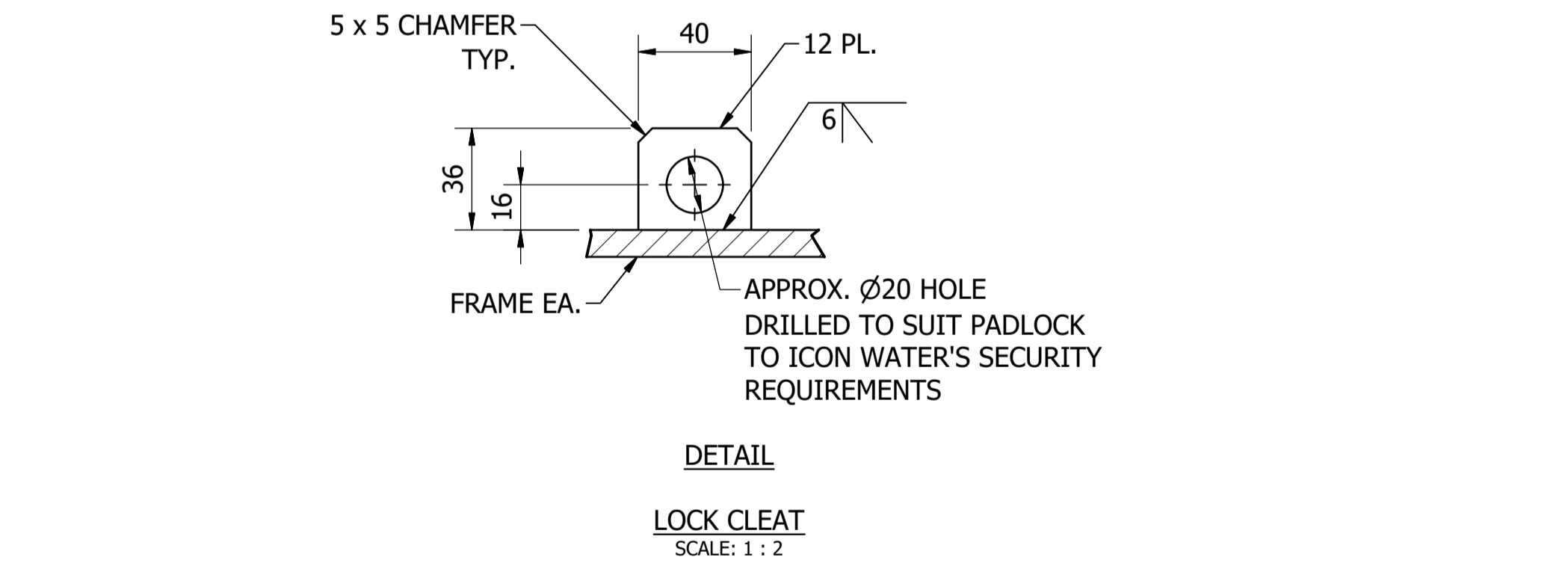
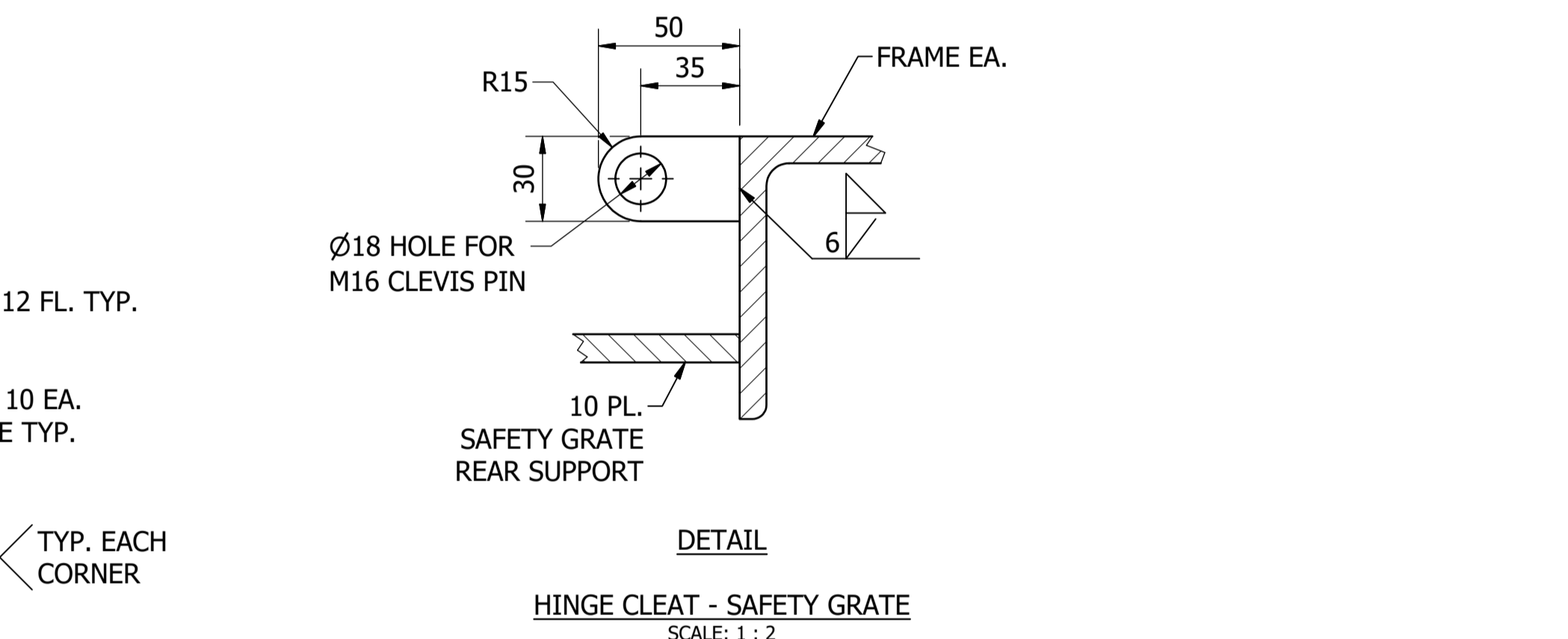
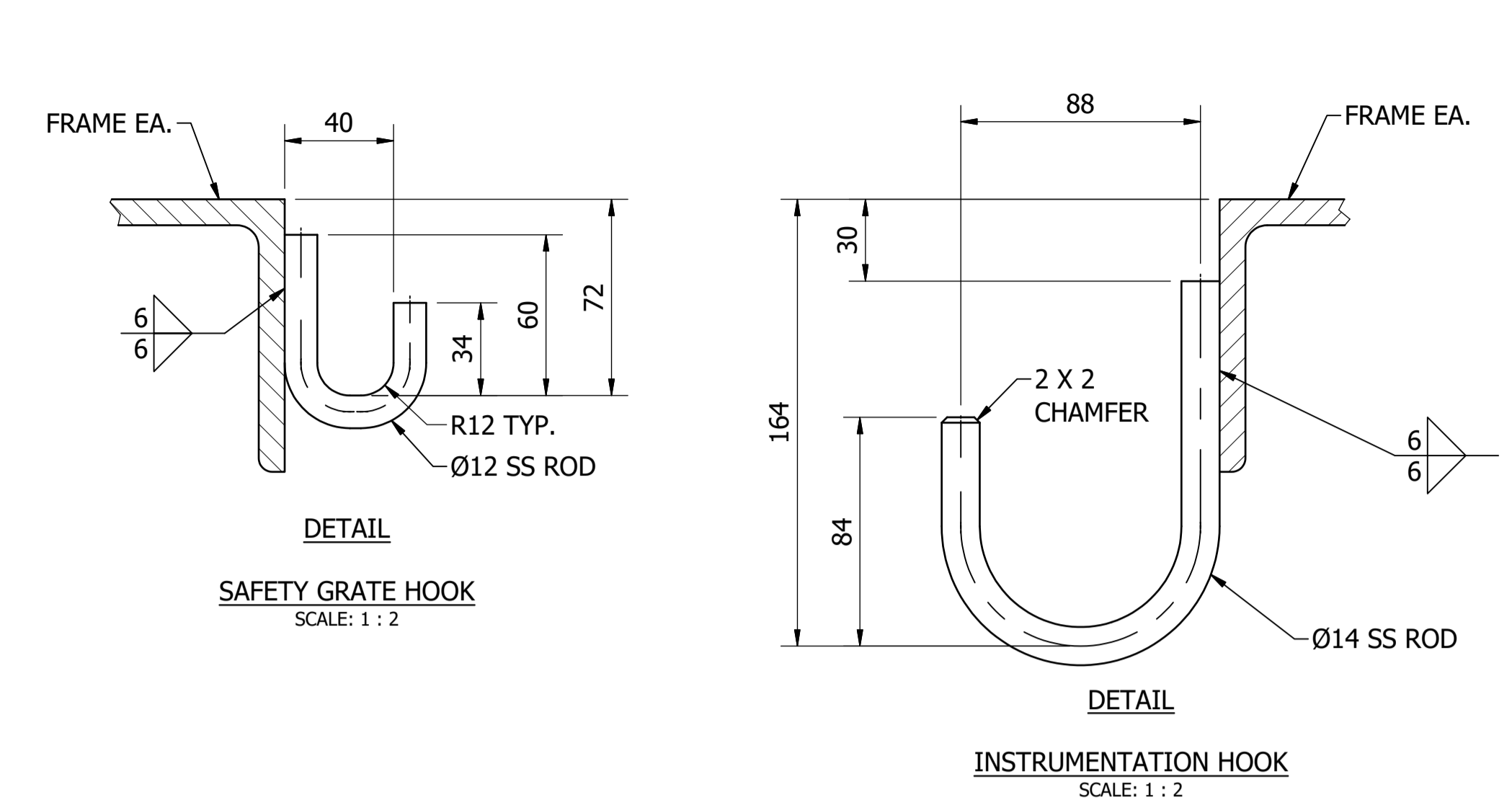
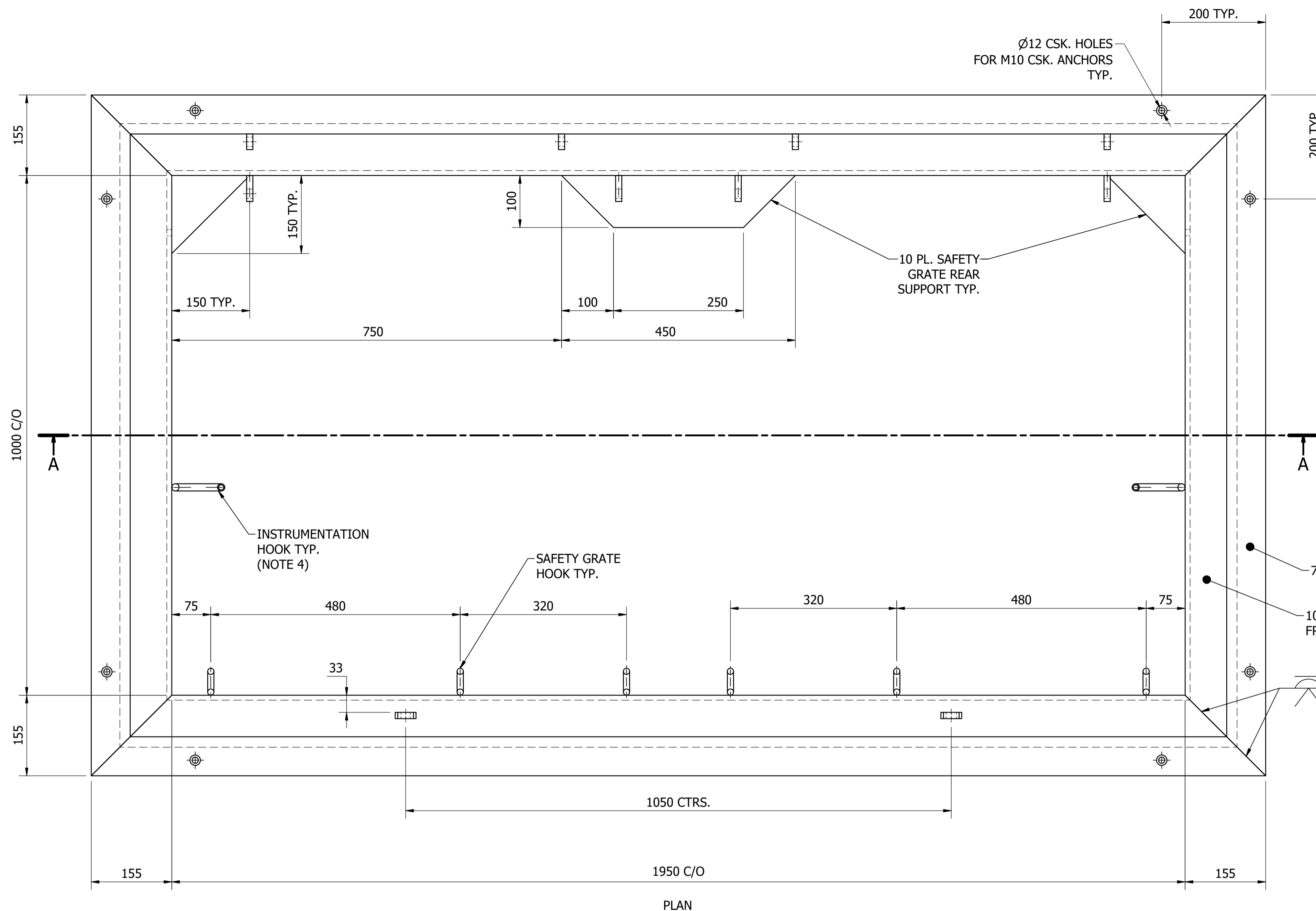
DAM	RES	SPS	<input checked="" type="checkbox"/>
BWS	WAT	STP	
WTP	SEW		
WPS	REC		



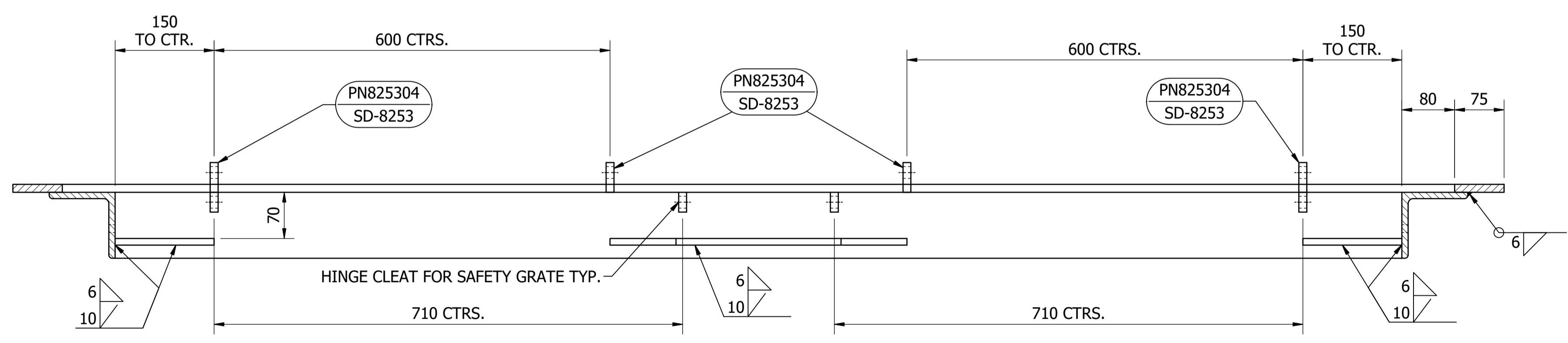
STANDARD DRAWING
ACCESS COVERS
ALUMINIUM, HINGED
SEWAGE PUMPING STATIONS, WET WELL ACCESS
ARRANGEMENT

DRAWING STATUS	Current
SD-8215-D	
A1	ISSUE A

© Icon Water 2017



- NOTES:**
1. THIS HATCH DESIGN IS ONLY APPLICABLE TO SEWAGE PUMPING STATION WET WELL ACCESS. REFER "SD-4100" SERIES OF DRAWINGS FOR ADDITIONAL DETAILS.
 2. FOR STEEL FABRICATION NOTES REFER TO DRAWING SD-9103.
 3. REFER TO DRAWING SD-8214-C FOR HATCH CONNECTION TO CONCRETE DETAILS.
 4. INSTRUMENTATION HOOK LOCATIONS ARE INDICATIVE. NUMBER OF HOOKS AND FINAL LOCATIONS TO BE DETERMINED FOR SPECIFIC SITE/PROJECT REQUIREMENTS.



MATERIAL: STAINLESS STEEL
 COATING: N/A
 FINISH COLOUR: N/A
 MASS: 150 kg

ITEM	AMDT.
PN821601	

No.	ISSUE	DATE	DRAWN	CHECKED	AUTHORISED
A	INITIAL ISSUE	8/06/2018	M. Matusiak	K. Danenbergson	C. Patrick

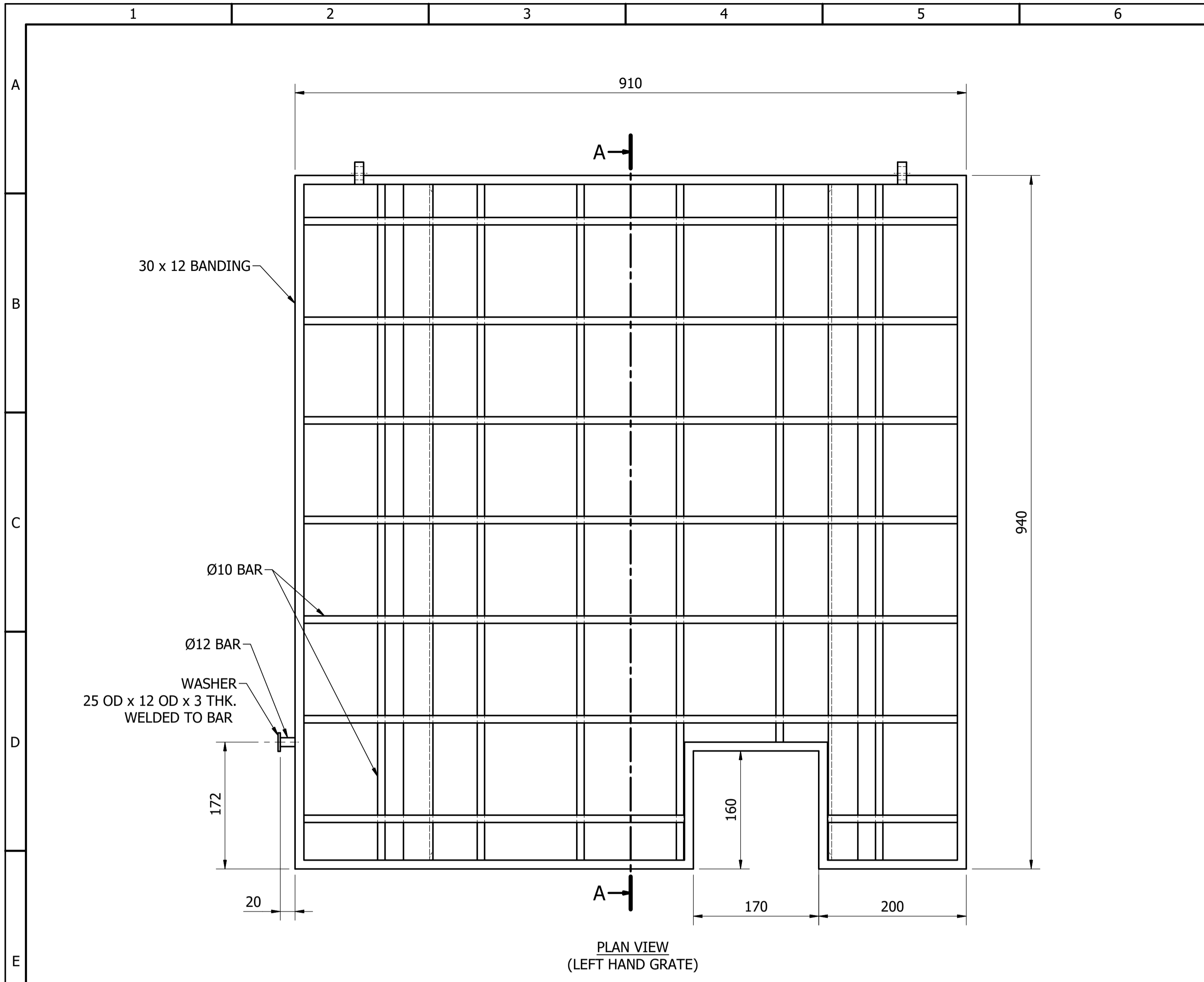
ICON WATER ACKNOWLEDGES SYDNEY WATER CORPORATION
 IN THE DEVELOPMENT OF PARTS OF THIS DRAWING

DAM	RES	SPS	WTP	SEW	WPS	REC
		X				



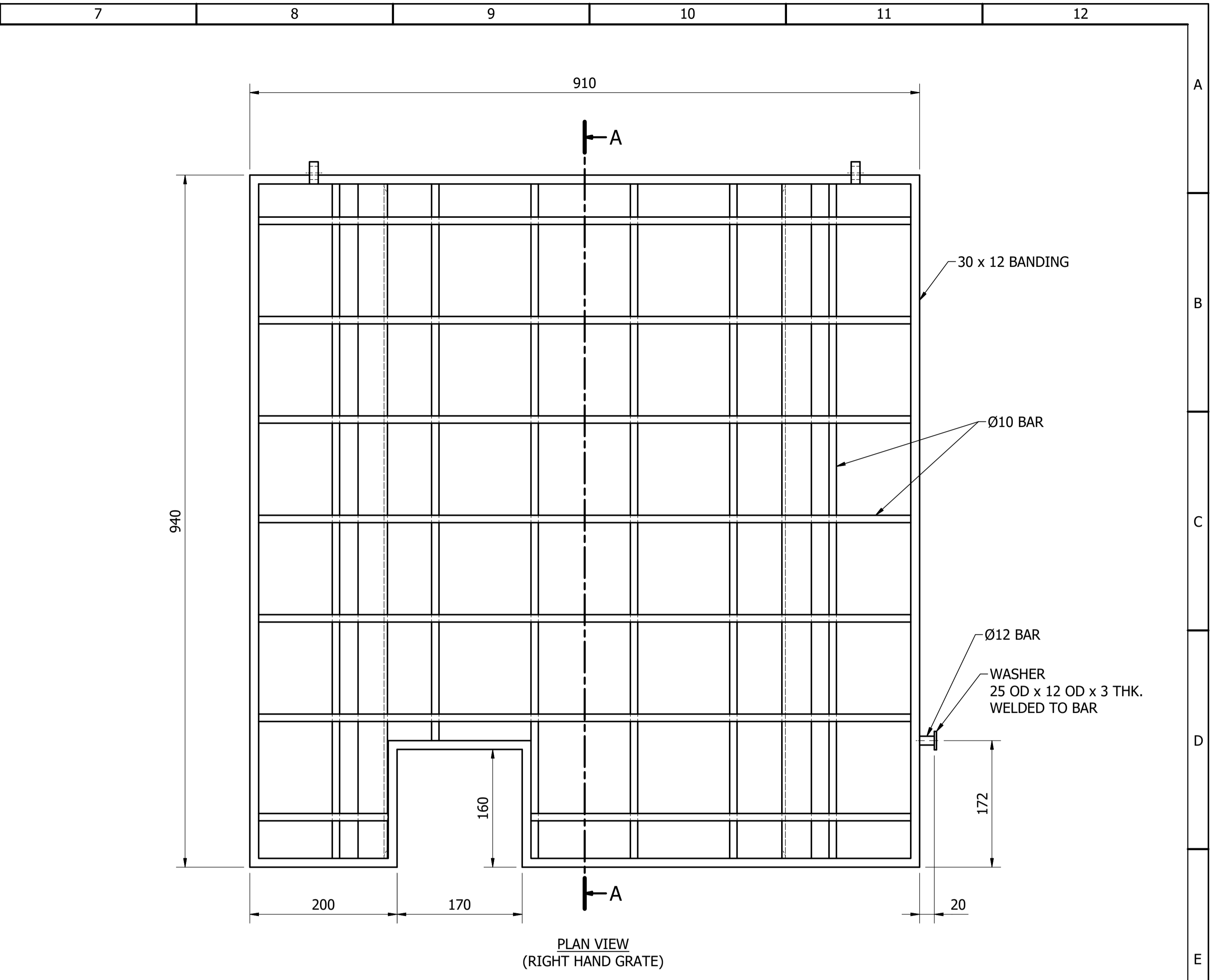
STANDARD DRAWING
 ACCESS COVERS
 ALUMINIUM, HINGED
 SEWAGE PUMPING STATIONS, WET WELL ACCESS
 FRAME DETAILS

DRAWING STATUS	
Current	
SD-8216-D	
A1	ISSUE A



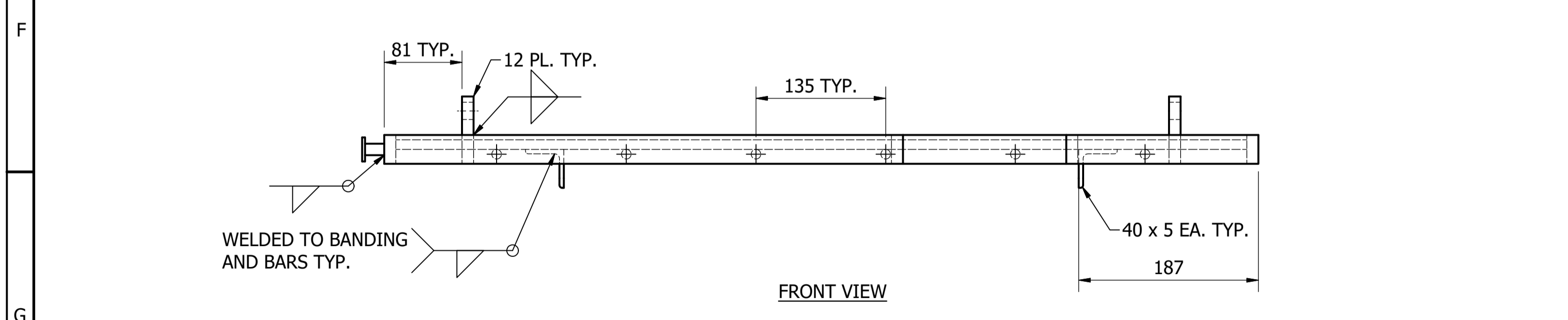
PLAN VIEW
(LEFT HAND GRATE)

ITEM	AMDT.
PN821701	

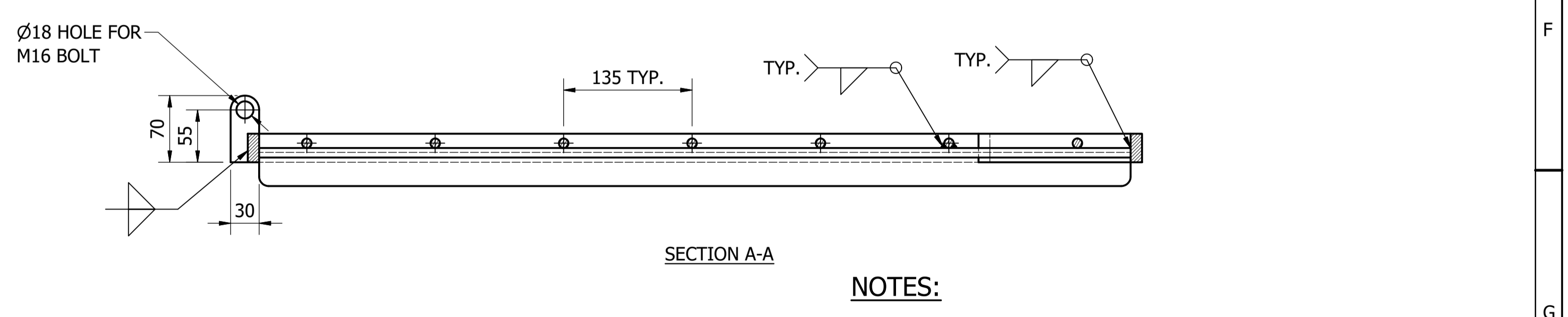


PLAN VIEW
(RIGHT HAND GRATE)

ITEM	AMDT.
PN821702	



FRONT VIEW



SECTION A-A

SAFETY GRATE
SCALE: 1 : 4
MATERIAL: ALUMINIUM
COATING: N/A
FINISH COLOUR: N/A
MASS: 10 kg

- NOTES:**
1. THIS HATCH DESIGN IS ONLY APPLICABLE TO SEWAGE PUMPING STATION WET WELL ACCESS. REFER "SD-4100" SERIES OF DRAWINGS.
 2. FOR ALUMINIUM FABRICATION NOTES REFER TO DRAWING SD-9103.
 3. ALL STAINLESS STEEL AND ALUMINIUM INTERFACES TO BE SEPARATED WITH INSULATING BUSHES AND RETAINING RINGS OR WASHERS.

No.	ISSUE	DATE	DRAWN	CHECKED	AUTHORISED
A	INITIAL ISSUE	8/06/2018	M. Matusiak	K. Danenbergson	C. Patrick

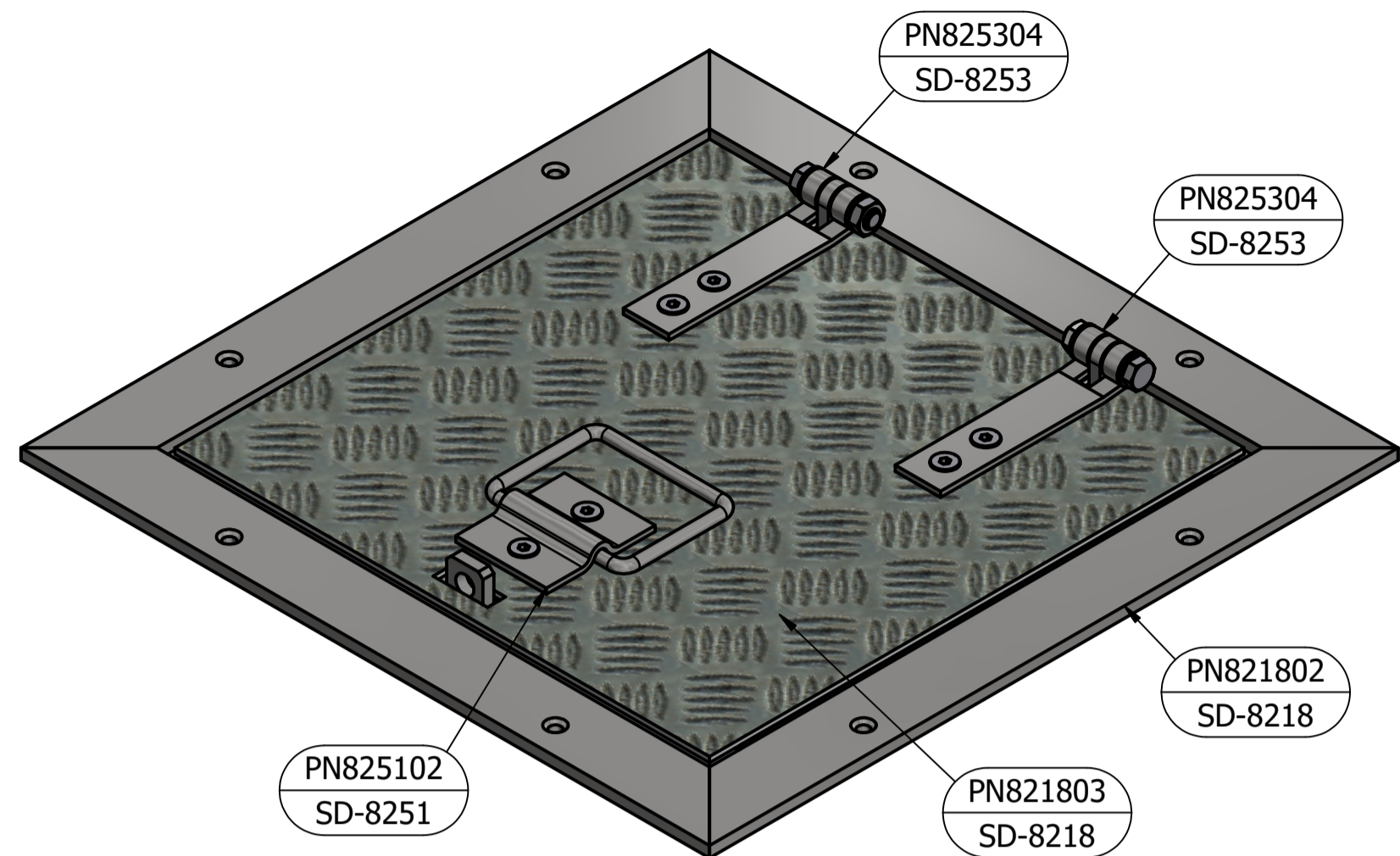
DAM	RES	SPS
		X
BWS	WAT	STP
WTP	SEW	
WPS	REC	



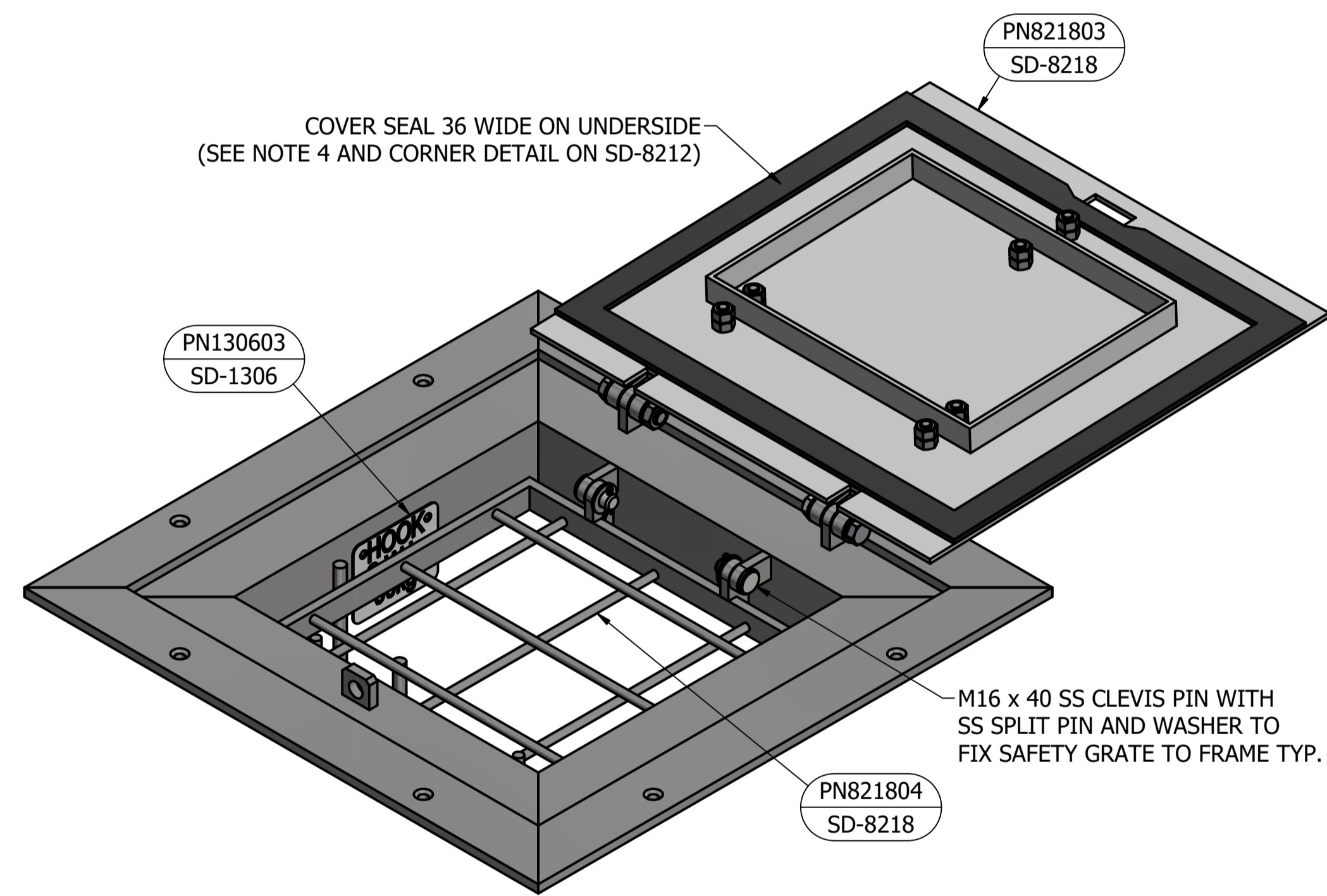
STANDARD DRAWING
ACCESS COVERS
ALUMINIUM, HINGED
SEWAGE PUMPING STATIONS, WET WELL ACCESS
SAFETY GRATE DETAILS

DRAWING STATUS	
Current	
SD-8217-D	
A1	ISSUE A

© Icon Water 2017



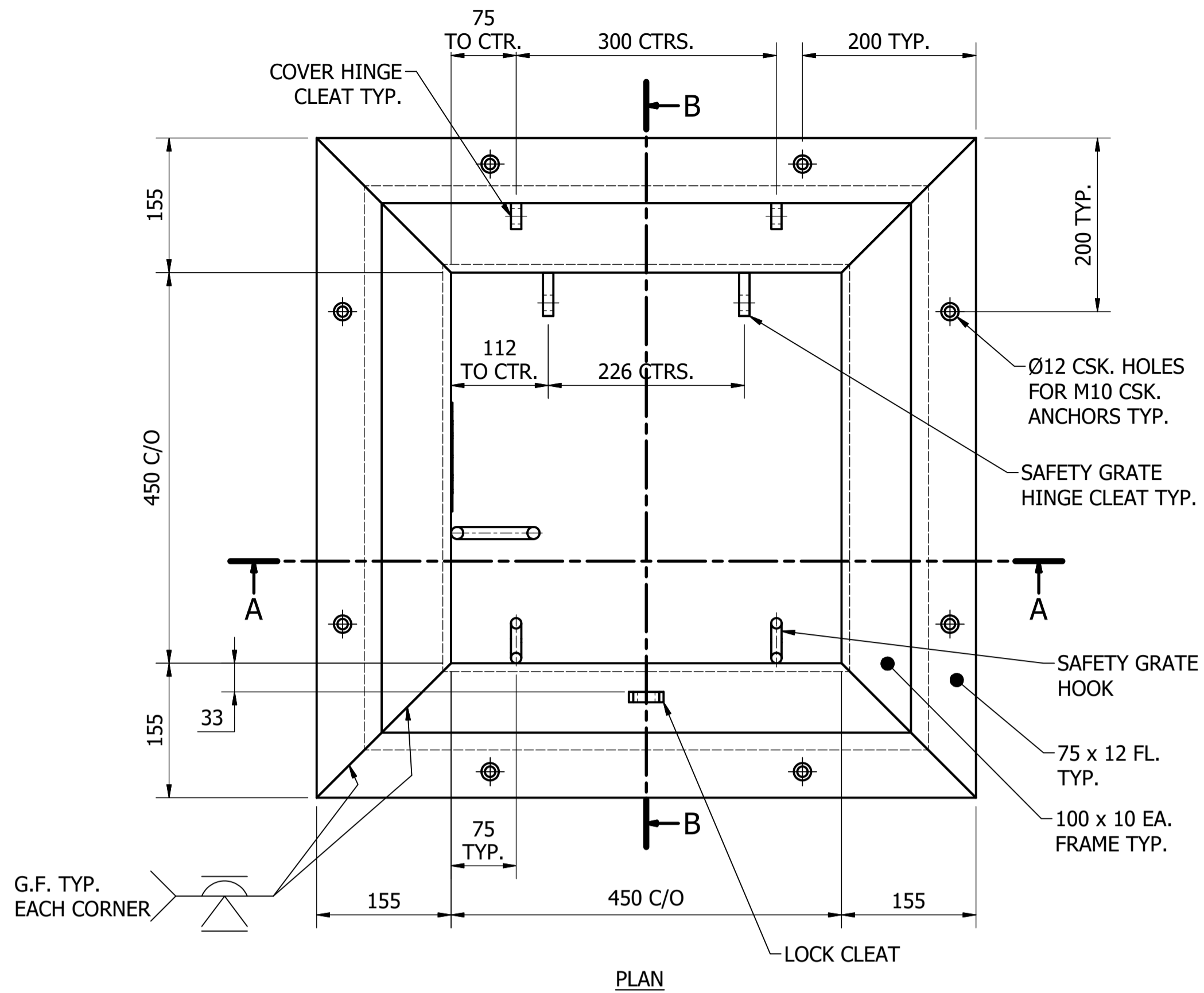
CLOSED POSITION



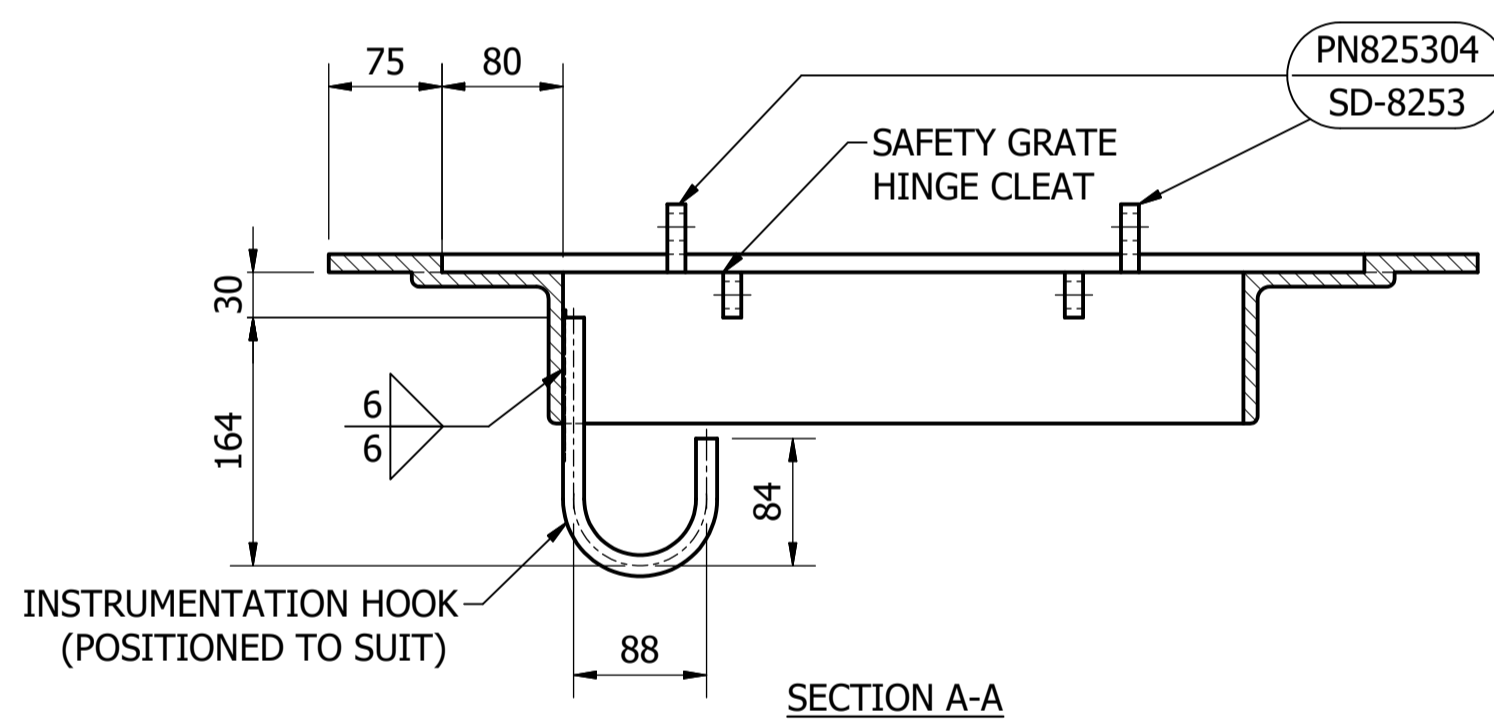
OPEN POSITION
(SAFETY GRATE CLOSED)

PARTS LIST				
PART NUMBER	DESCRIPTION	QTY	MASS	REFERENCE
PN821802	HATCH FRAME	1	55 kg	SD-8218
PN825304	HINGE	2	1 kg	SD-8253
PN821803	HATCH COVER	1	7 kg	SD-8218
PN825102	LIFTING HANDLE	1	1 kg	SD-8251
PN821804	SAFETY GRATE	1	10 kg	SD-8218
PN130603	SAFETY SIGN (HOOK S.W.L.) SMALL	1	0.2 kg	SD-1306

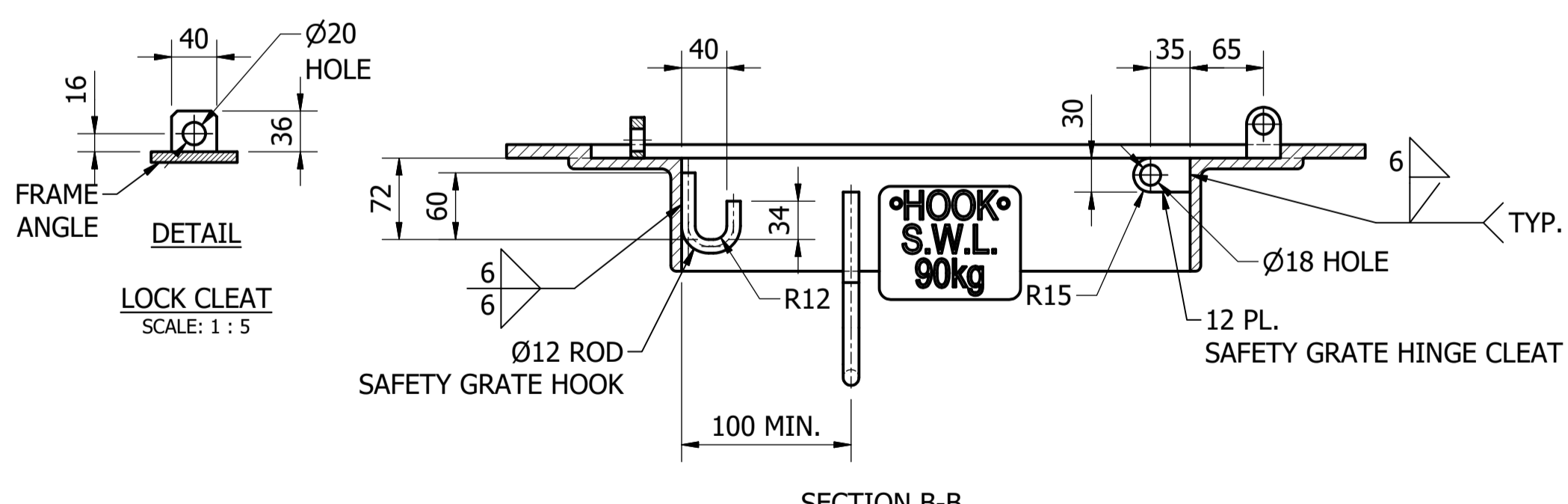
ITEM	AMDT.
PN821801	



PLAN



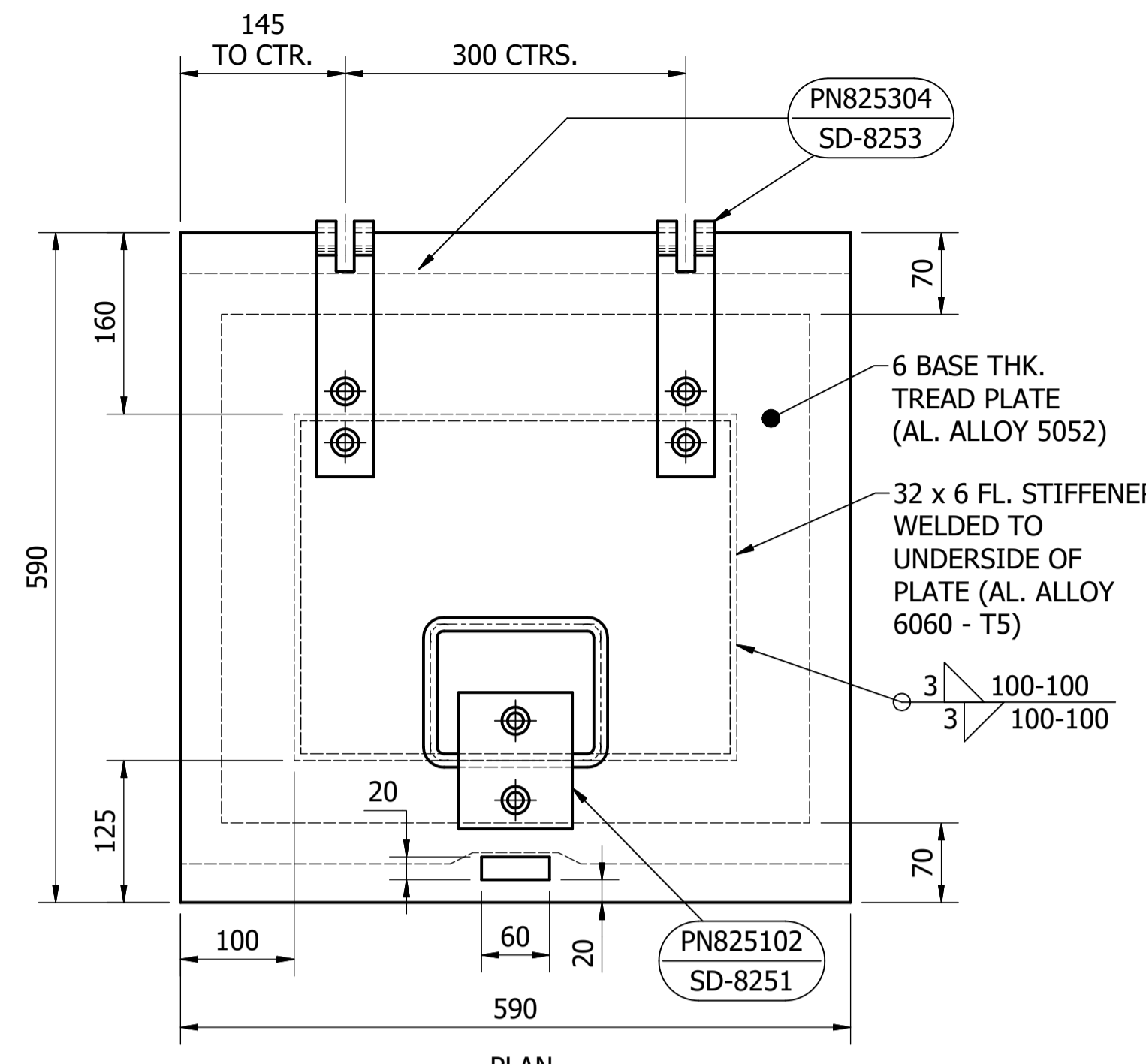
SECTION A-A



SECTION B-B

COVER FRAME
SCALE: 1 : 5
MATERIAL: STAINLESS STEEL
COATING: N/A
FINISH COLOUR: N/A
MASS: 55 kg

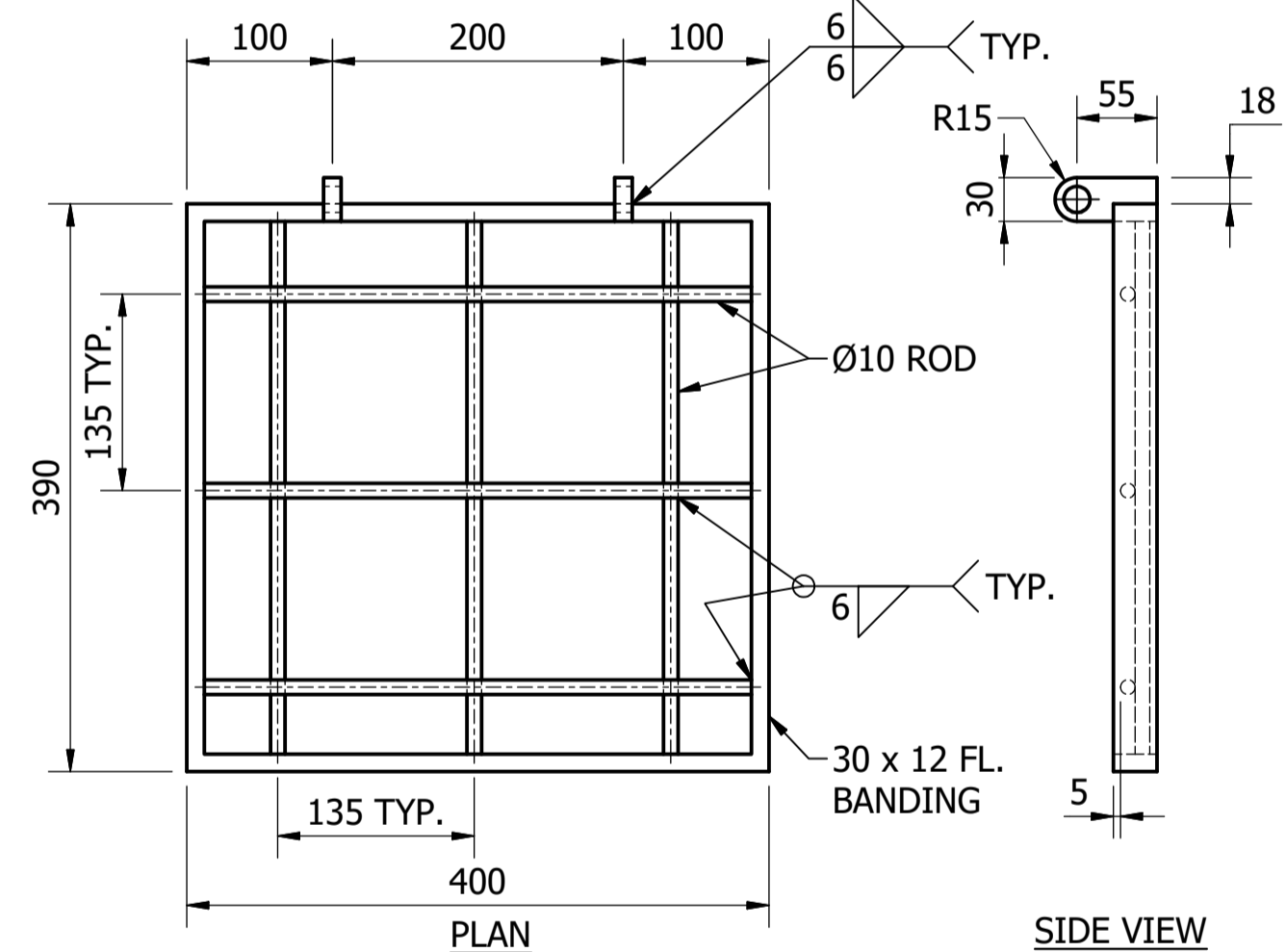
ITEM	AMDT.
PN821802	



PLAN

COVER
SCALE: 1 : 5
MATERIAL: ALUMINIUM
COATING: N/A
FINISH COLOUR: N/A
MASS: 11 kg (INCL. HANDLE AND HINGES)

ITEM	AMDT.
PN821803	



SIDE VIEW

SAFETY GRATE
SCALE: 1 : 5
MATERIAL: STAINLESS STEEL
COATING: N/A
FINISH COLOUR: N/A
MASS: 10 kg

ITEM	AMDT.
PN821804	

- NOTES:
- THIS HATCH DESIGN IS ONLY FOR INSTRUMENTATION ACCESS (NOT TO BE USED FOR PERSONNEL ACCESS).
 - NOTES ON DRAWING SD-8212 ARE ALSO APPLICABLE TO THIS DRAWING.
 - FOR STEEL FABRICATION NOTES REFER TO DRAWING SD-9103. AND FOR ALUMINIUM FABRICATION NOTES REFER TO DRAWING SD-9103.
 - REFER TO DRAWING SD-8214-C FOR HATCH CONNECTION TO CONCRETE DETAILS.

DAM	RES	SPS	WTP	WPS



STANDARD DRAWING
GAS-TIGHT ACCESS COVERS
ALUMINIUM, HINGED
INSTRUMENTATION HATCH
ARRANGEMENT AND DETAILS

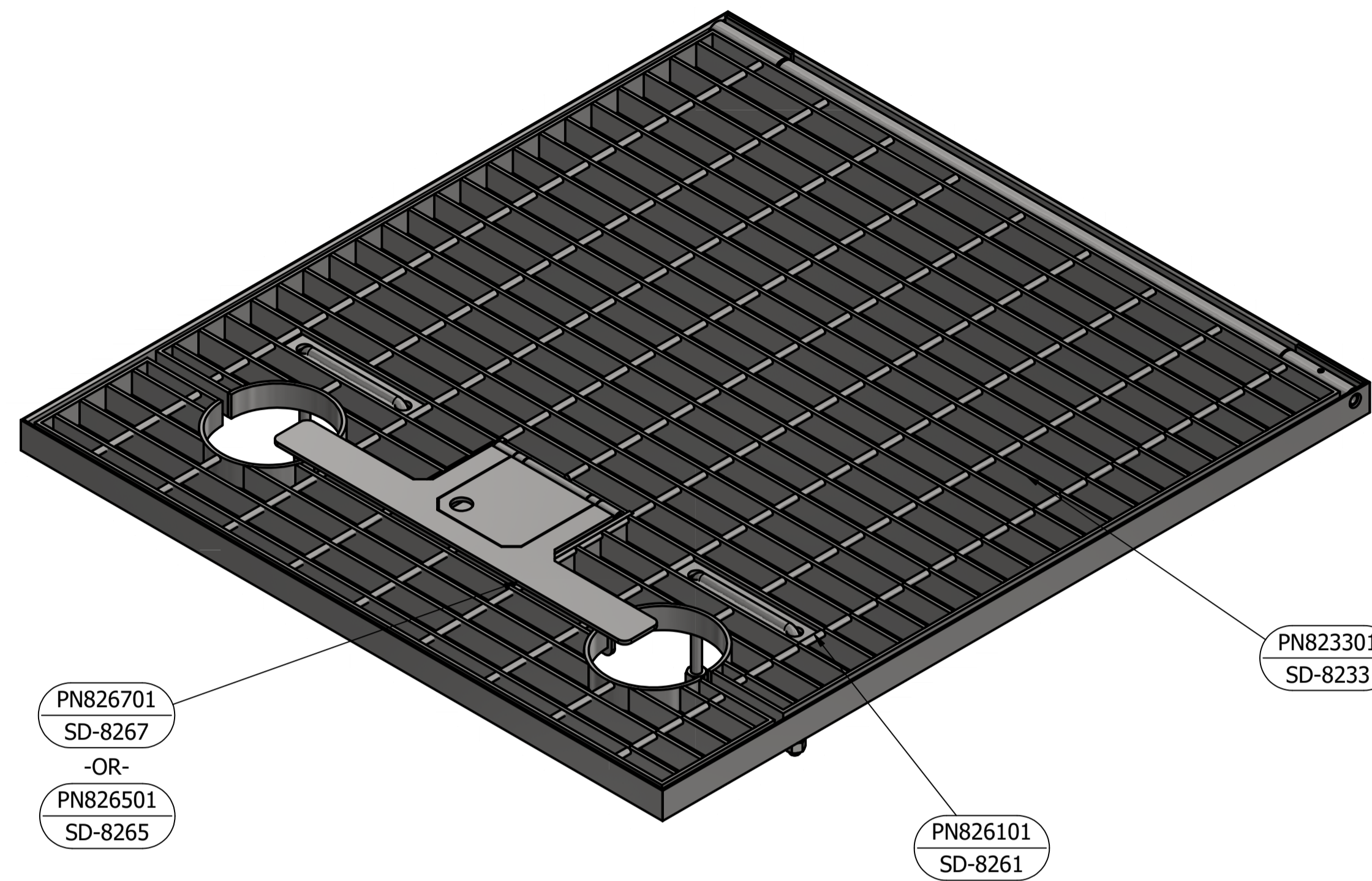
DRAWING STATUS	
Current	
SD-8218-D	
A1	ISSUE A

No.	ISSUE	DATE	DRAWN	CHECKED	AUTHORISED
1	INITIAL ISSUE	19/06/2018	M. Matusiak	K. Danenbergson	C. Patrick

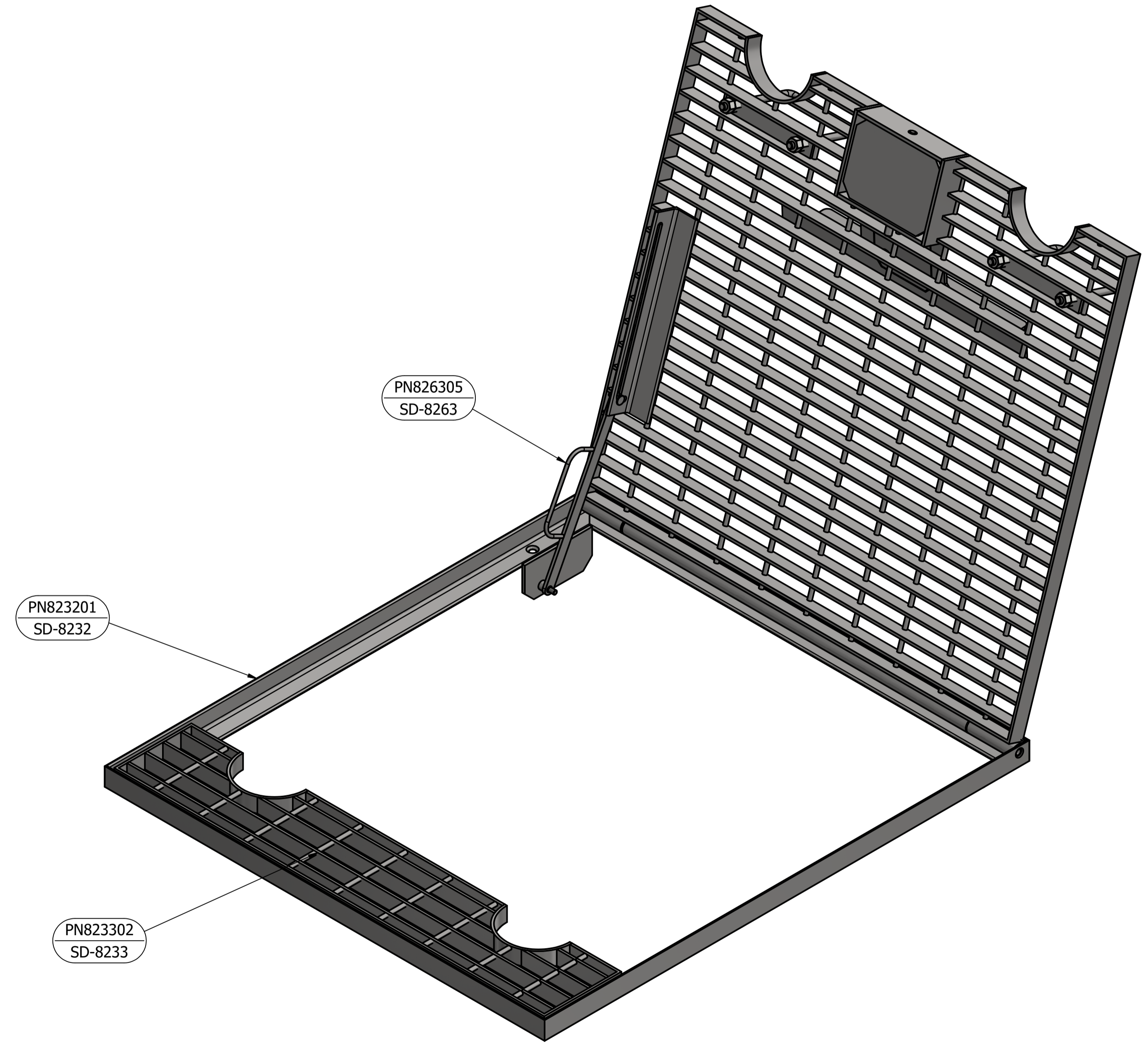
ICON WATER ACKNOWLEDGES SYDNEY WATER CORPORATION IN THE DEVELOPMENT OF THIS DRAWING

ASSET AREA APPLICABILITY

© Icon Water 2017



CLOSED POSITION



OPEN POSITION

**ISOMETRIC VIEWS
FLUSH FIT ACCESS HATCH
FOR VERTICAL RUNG LADDER**
SCALE : NTS

MATERIAL: CARBON STEEL
COATING: HOT DIP GALVANISED
FINISH COLOUR: N/A
MASS: 60 kg (INCLUDING FRAME)

PARTS LIST

PART NUMBER	DESCRIPTION	QTY	MASS	REFERENCE
PN823201	HATCH FRAME	1	12 kg	SD-8232
PN823301	HATCH COVER	1	32 kg	SD-8233
PN823302	FIXED HATCH COVER	1	8 kg	SD-8233
PN826701	LOCK BOX - STANCHION LOCKING TYPE	1	6 kg	SD-8267
PN826101	LIFTING HANDLE	2	1 kg	SD-8261

ITEM	AMDT.
PN823101	

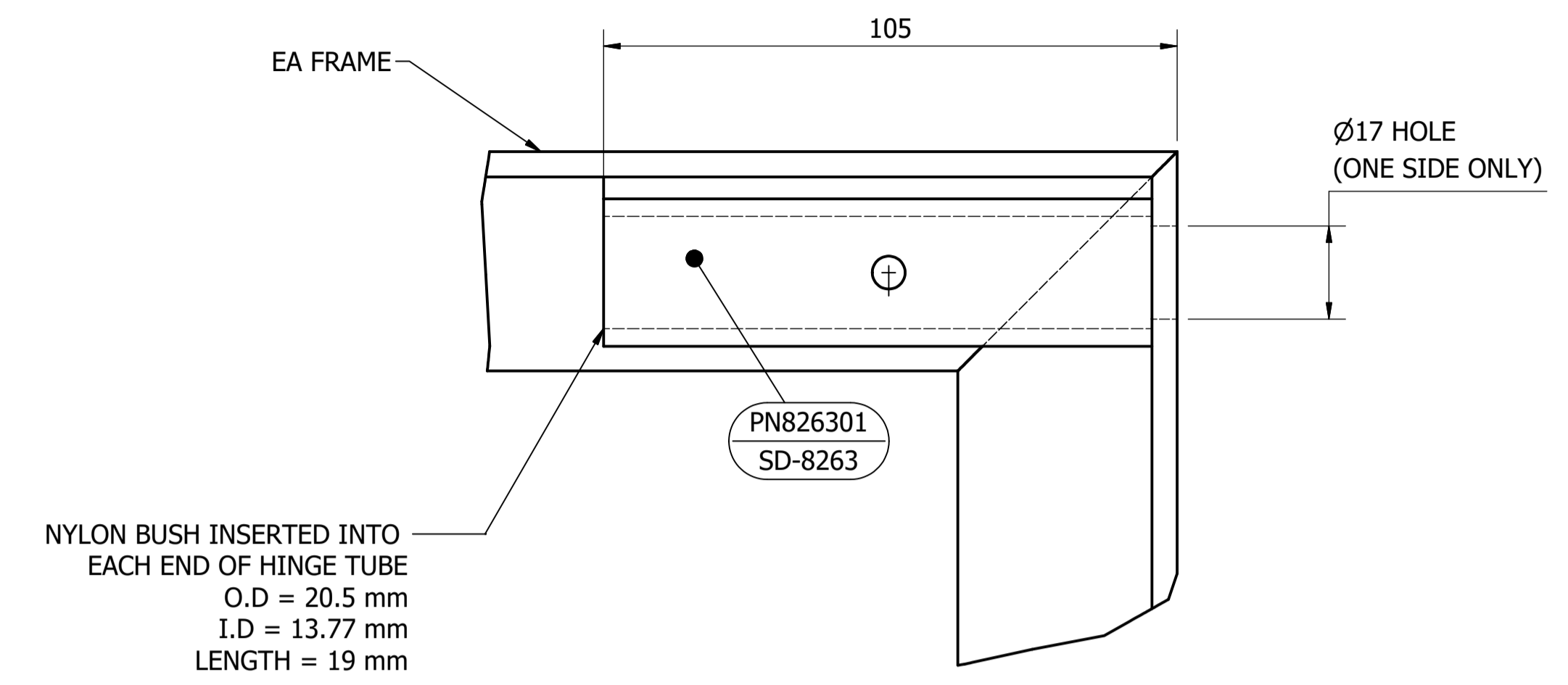
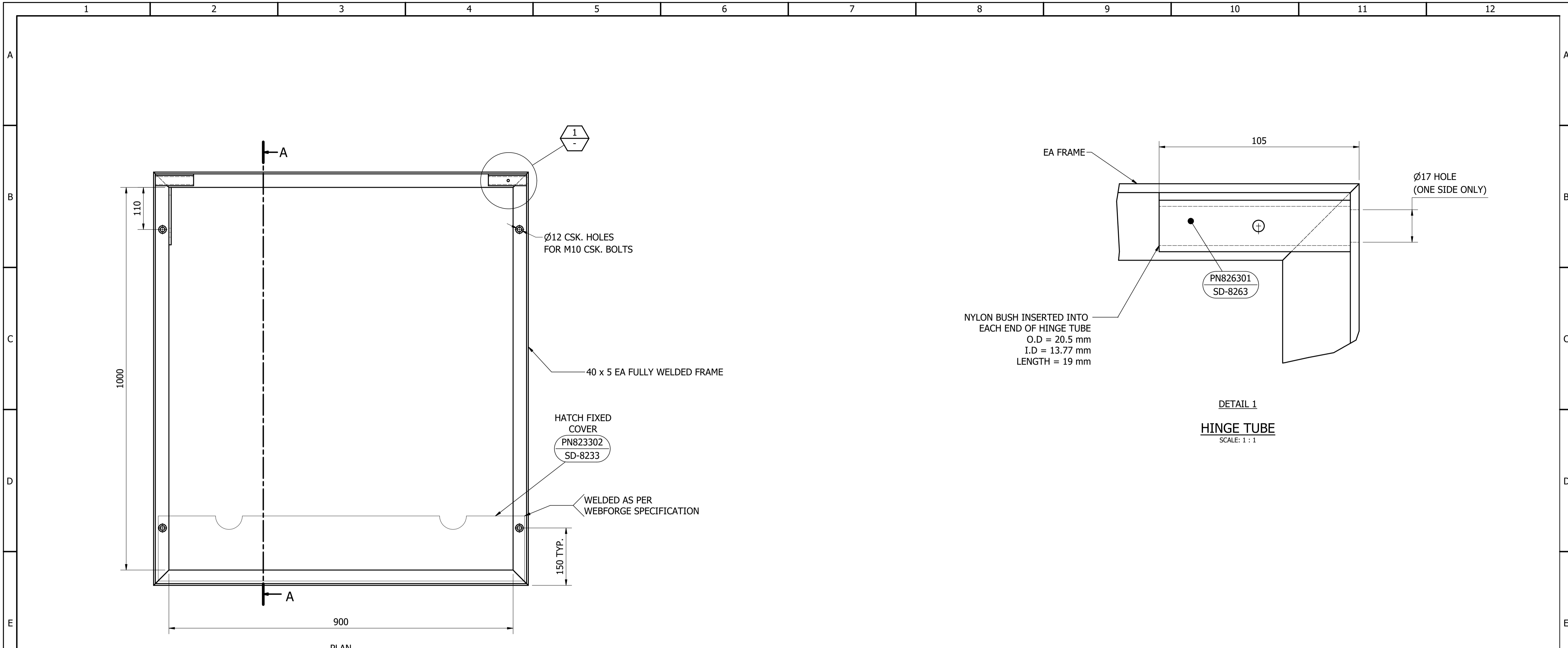
No.	ISSUE	DATE	DRAWN	CHECKED	AUTHORISED
A	INITIAL ISSUE	15/06/2018	S. Essery	K. Danenbergsons	D. Eager

ASSET AREA APPLICABILITY					
DAM	<input checked="" type="checkbox"/>	RES	<input checked="" type="checkbox"/>	SPS	<input checked="" type="checkbox"/>
BWS	<input checked="" type="checkbox"/>	WAT	<input checked="" type="checkbox"/>	STP	<input checked="" type="checkbox"/>
WTP	<input checked="" type="checkbox"/>	SEW	<input checked="" type="checkbox"/>		
WPS	<input checked="" type="checkbox"/>	REC	<input checked="" type="checkbox"/>		

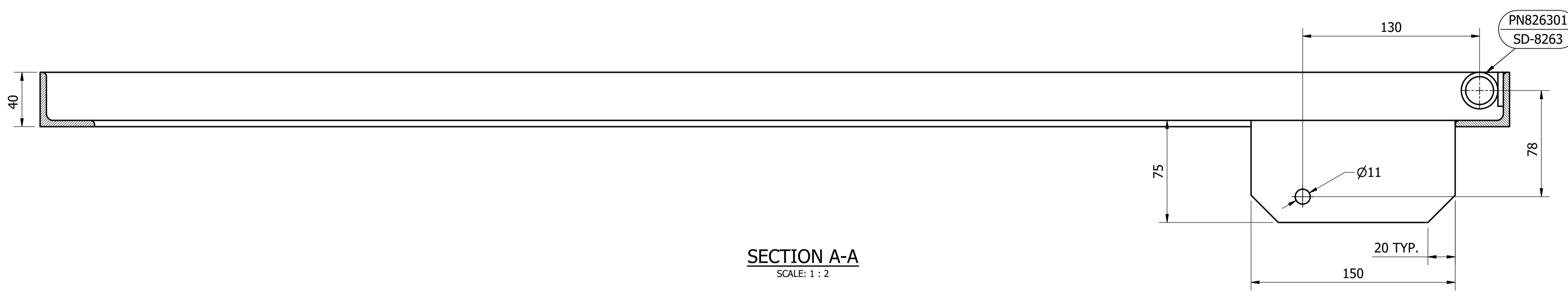


STANDARD DRAWING
FLUSH FIT ACCESS COVERS - HOT DIP GALVANISED STEEL
HINGED FOR VERTICAL RUNG LADDERS
ARRANGEMENT

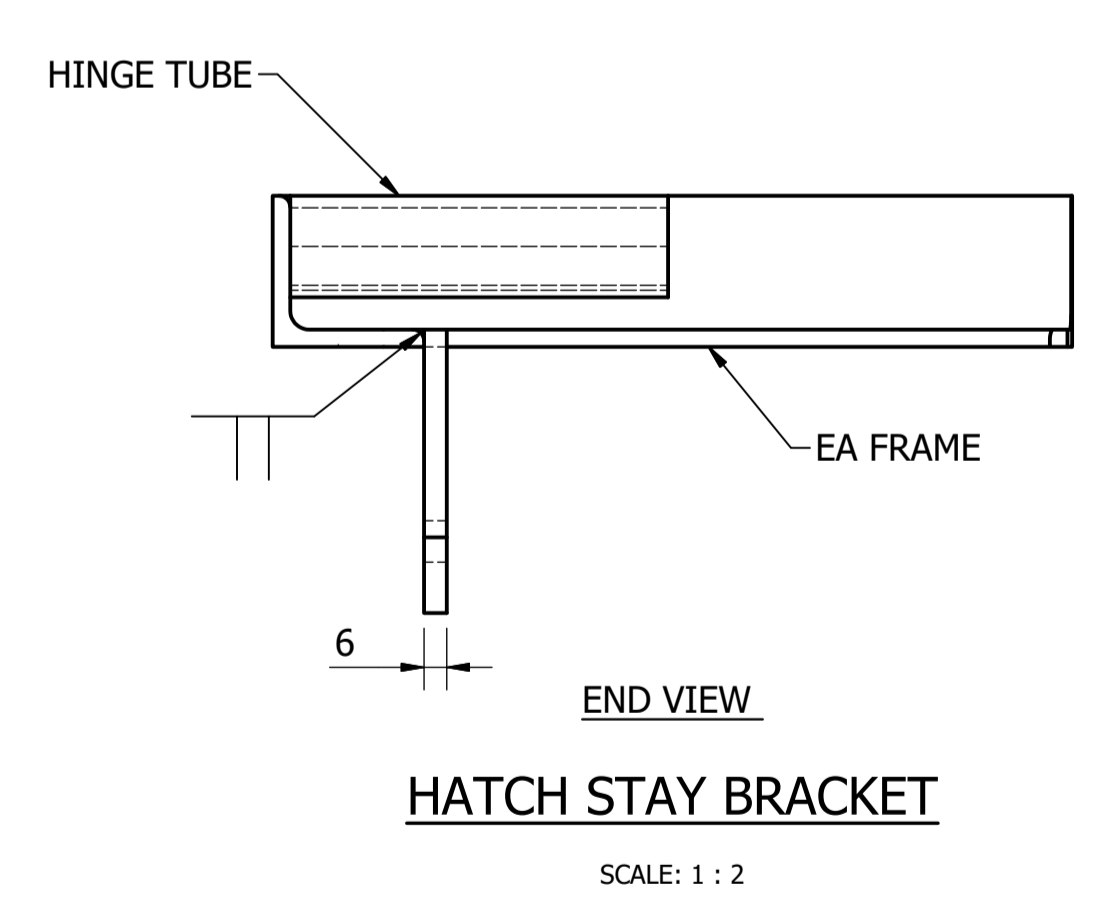
DRAWING STATUS	
Current	
SD-8231-D	
A1	ISSUE A



DETAIL 1
HINGE TUBE
SCALE: 1 : 1



SECTION A-A
SCALE: 1 : 2



END VIEW
HATCH STAY BRACKET
SCALE: 1 : 2

HATCH FRAME
SCALE: 1 : 5

MATERIAL: CARBON STEEL
COATING: HOT DIP GALVANISED
FINISH COLOUR: N/A
MASS: 12 kg

ITEM	AMDT.
PN823201	

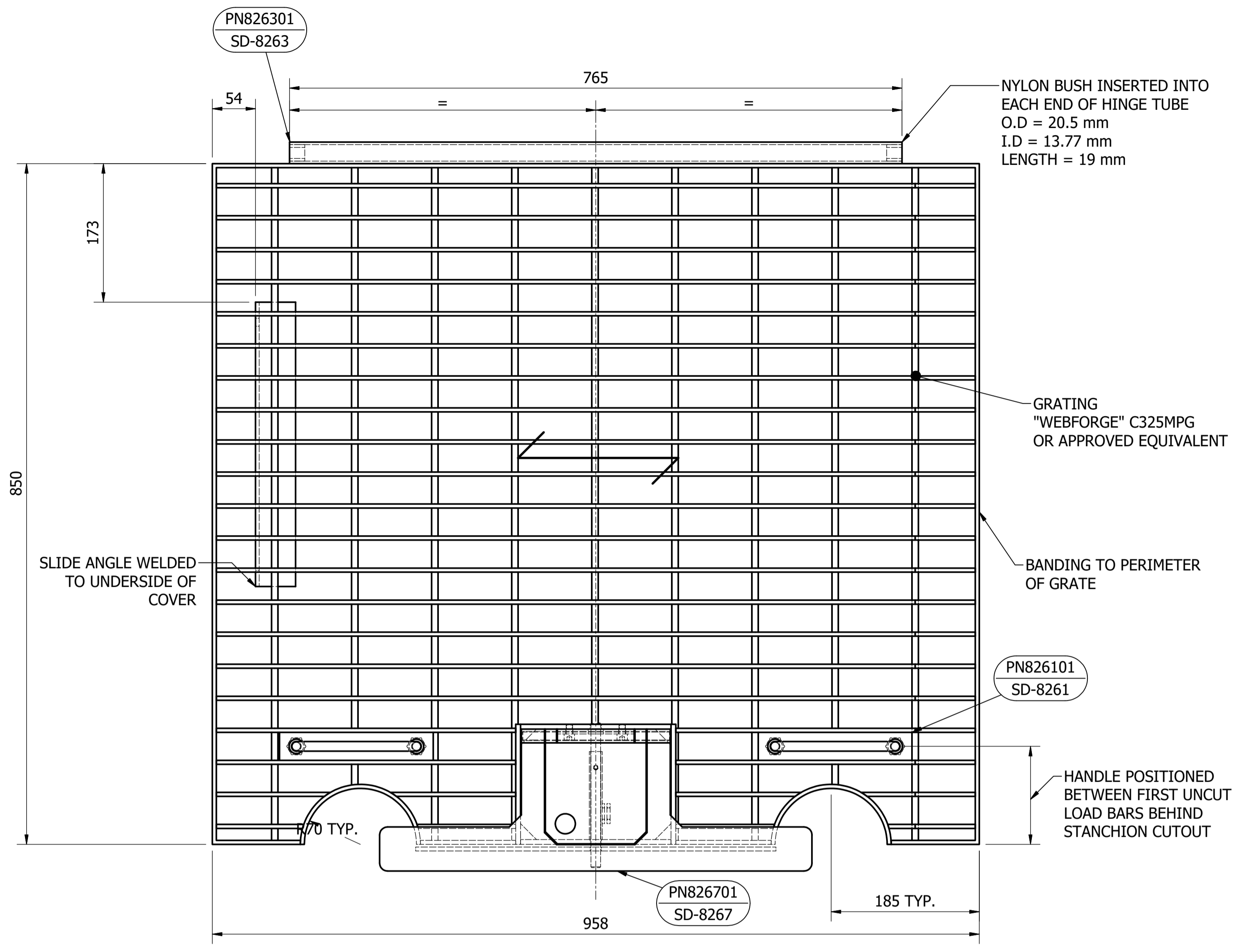
No.	ISSUE	DATE	DRAWN	CHECKED	AUTHORISED
A	INITIAL ISSUE	15/06/2018	S. Essery	K. Danenbergs	D. Eager

DAM	RES	SPS
BWS	WAT	STP
WTP	SEW	
WPS	REC	

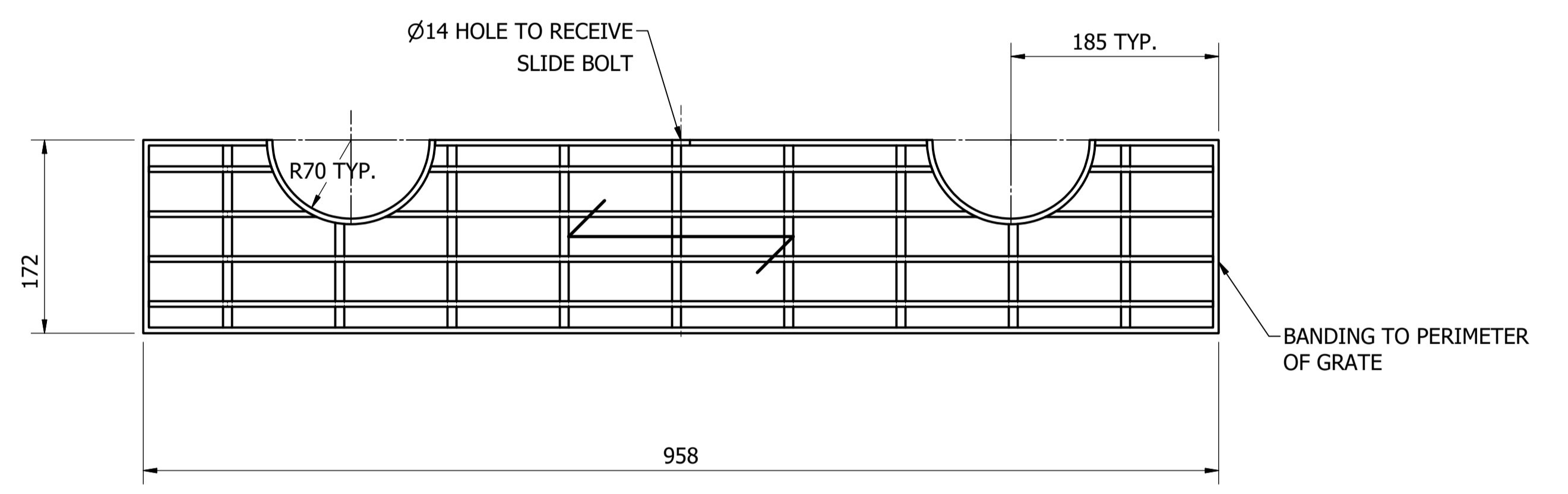


STANDARD DRAWING
FLUSH FIT ACCESS COVERS - HOT DIP GALVANISED STEEL
HINGED FOR VERTICAL RUNG LADDERS
FRAME DETAILS

DRAWING STATUS Current	
SD-8232-D	
A1	ISSUE A



PLAN
HATCH COVER
 SCALE: 1 : 4
 MATERIAL: CARBON STEEL
 COATING: HOT DIP GALVANISED
 FINISH COLOUR: N/A
 MASS: 30 kg



PLAN
HATCH FIXED COVER
 SCALE: 1 : 4
 MATERIAL: CARBON STEEL
 COATING: HOT DIP GALVANISED
 FINISH COLOUR: N/A
 MASS: 9 kg

NOTES:
 1. CARE TO BE TAKEN TO ALIGN WEB GRATE LOAD BARS AND CROSS RODS AS TO NOT INTERFERE WITH THE LIFTING HANDLES AND HATCH STAY.

ITEM	AMDT.
PN823301	

ITEM	AMDT.
PN823302	

DAM	RES	SPS
BWS	WAT	STP
WTP	SEW	
WPS	REC	



STANDARD DRAWING
 FLUSH FIT ACCESS COVERS - HOT DIP GALVANISED STEEL
 HINGED FOR VERTICAL RUNG LADDERS
 COVER DETAILS

DRAWING STATUS	
Current	
SD-8233-D	
A1	ISSUE A

No.	ISSUE	DATE	DRAWN	CHECKED	AUTHORISED
A	INITIAL ISSUE	15/06/2018	S. Essery	K. Danenbergsons	D. Eager

1 2 3 4 5 6 7 8 9 10 11 12

A

B

C

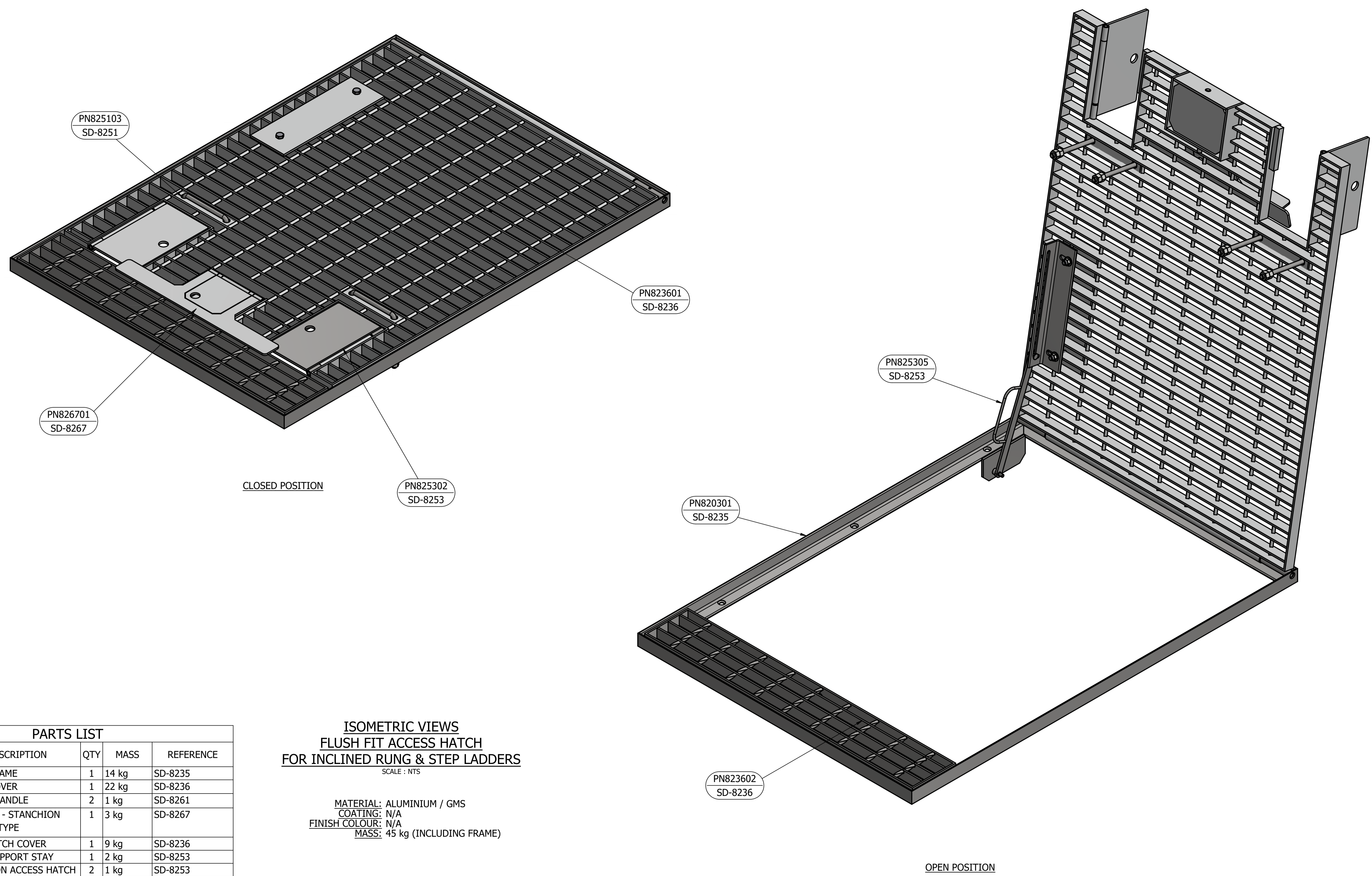
D

E

F

G

H



CLOSED POSITION

OPEN POSITION

**ISOMETRIC VIEWS
FLUSH FIT ACCESS HATCH
FOR INCLINED RUNG & STEP LADDERS**
SCALE : NTS

MATERIAL: ALUMINIUM / GMS
COATING: N/A
FINISH COLOUR: N/A
MASS: 45 kg (INCLUDING FRAME)

PARTS LIST

PART NUMBER	DESCRIPTION	QTY	MASS	REFERENCE
PN825301	HATCH FRAME	1	14 kg	SD-8235
PN823601	HATCH COVER	1	22 kg	SD-8236
PN826101	LIFTING HANDLE	2	1 kg	SD-8261
PN826701	LOCK BOX - STANCHION LOCKING TYPE	1	3 kg	SD-8267
PN823602	FIXED HATCH COVER	1	9 kg	SD-8236
PN825305	HATCH SUPPORT STAY	1	2 kg	SD-8253
PN825302	STANCHION ACCESS HATCH	2	1 kg	SD-8253

ITEM	AMDT.
PN823401	

No.	ISSUE	DATE	DRAWN	CHECKED	AUTHORISED
A	INITIAL ISSUE	15/06/2018	K. Patel	K. Danenbergsons	D. Eager

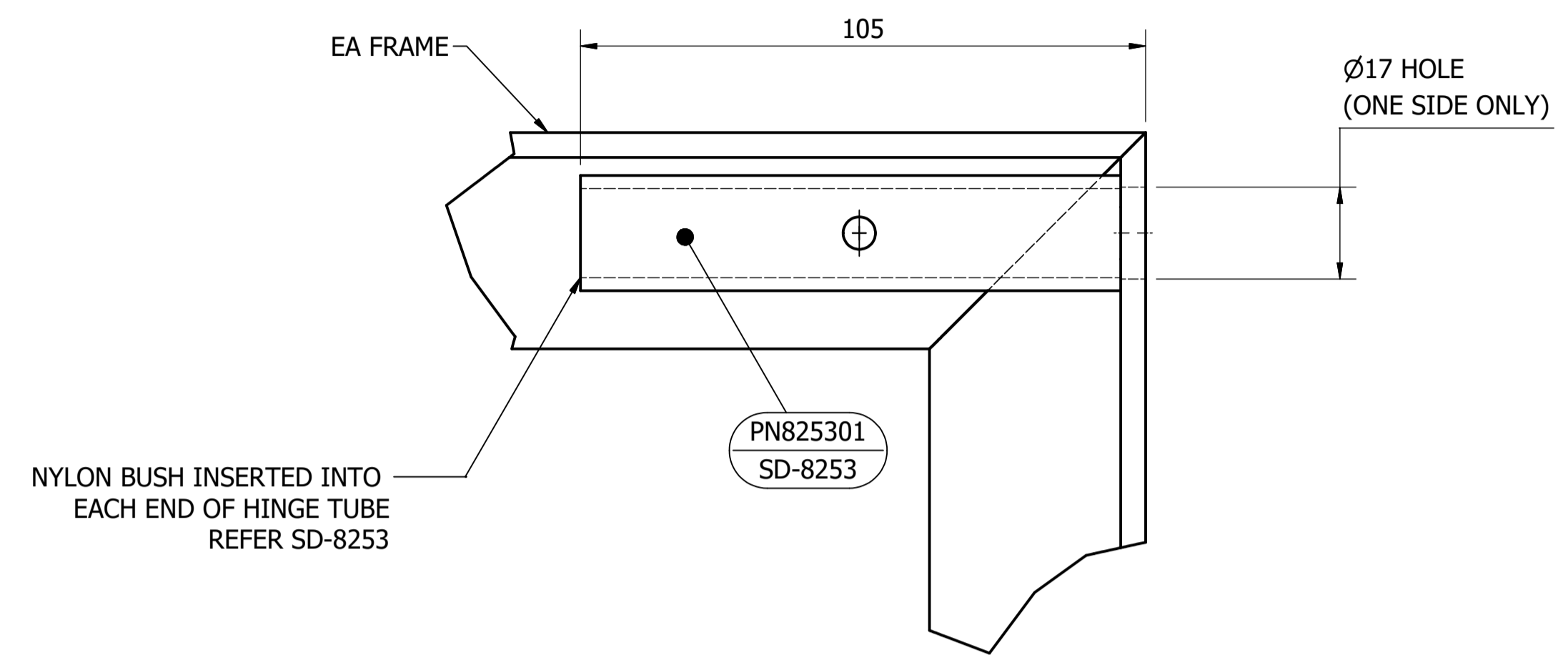
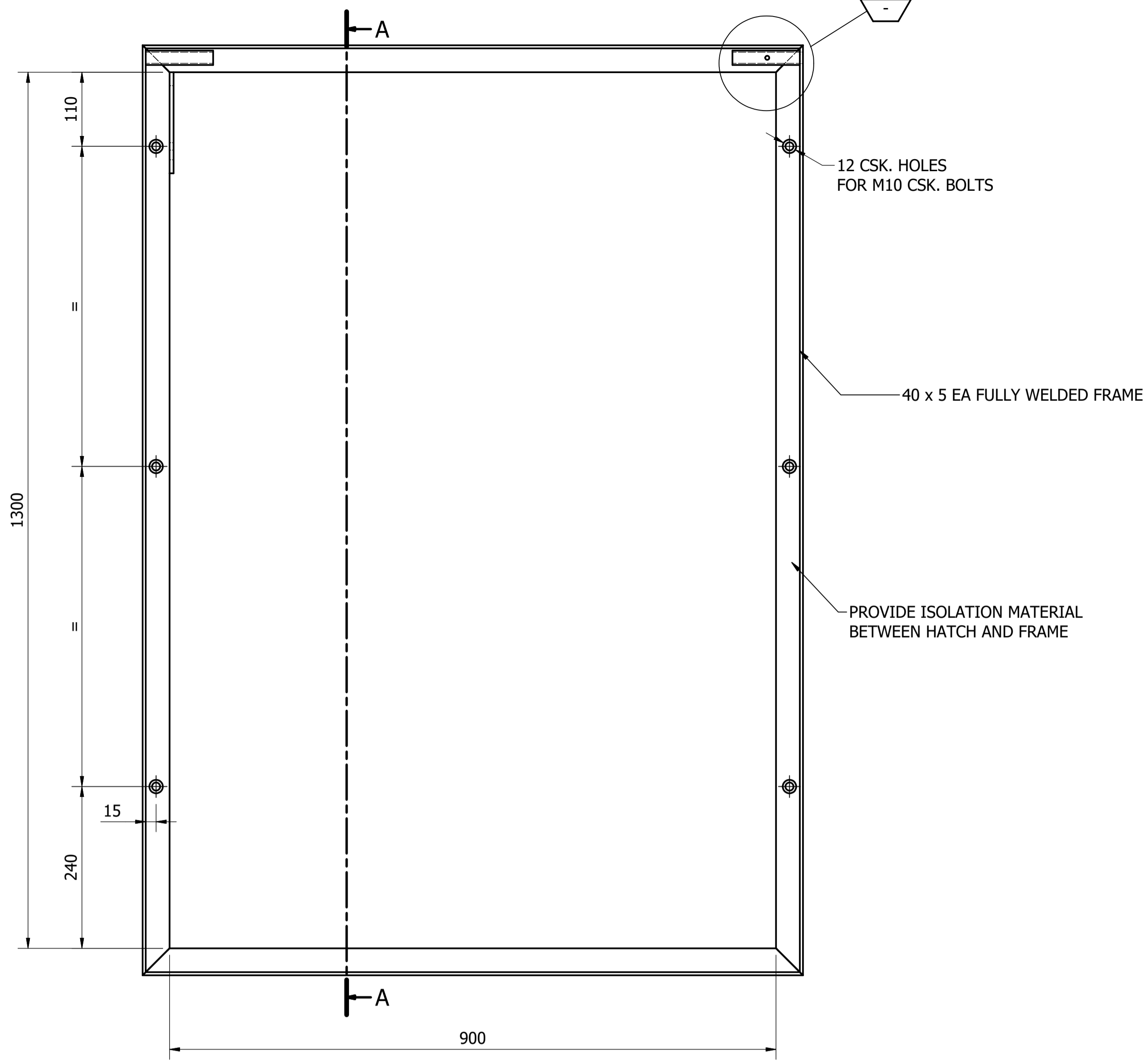
DAM	<input checked="" type="checkbox"/>	RES	<input checked="" type="checkbox"/>	SPS	<input checked="" type="checkbox"/>
BWS	<input checked="" type="checkbox"/>	WAT	<input checked="" type="checkbox"/>	STP	<input checked="" type="checkbox"/>
WTP	<input checked="" type="checkbox"/>	SEW	<input checked="" type="checkbox"/>		
WPS	<input checked="" type="checkbox"/>	REC	<input checked="" type="checkbox"/>		



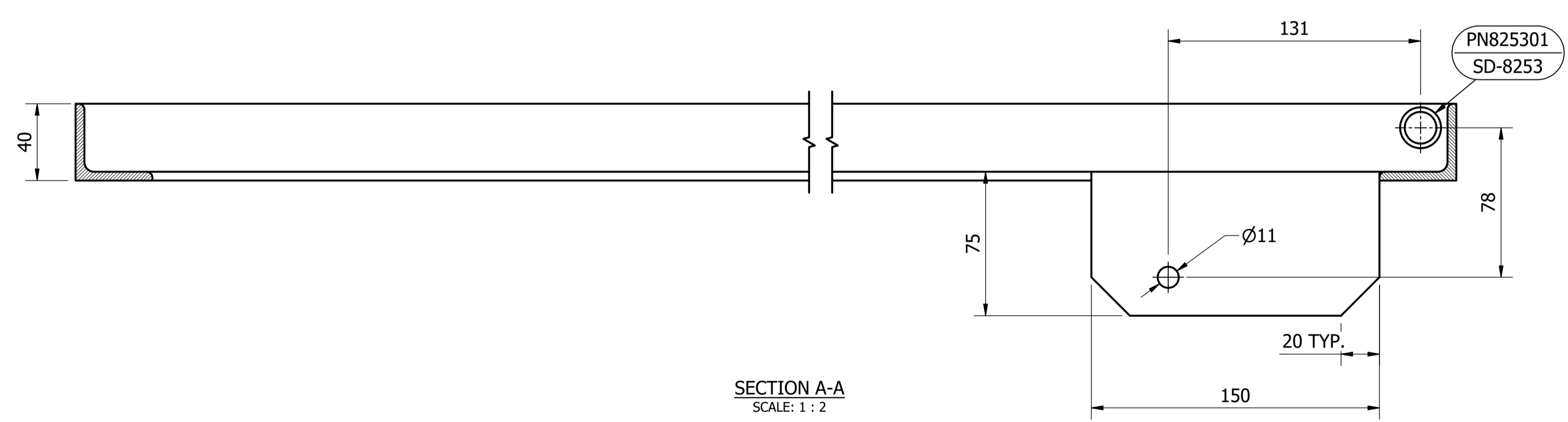
STANDARD DRAWING
FLUSH FIT ACCESS COVERS - HDG AND ALUMINIUM
HINGED FOR INCLINED RUNG AND STEP LADDERS
ARRANGEMENT

DRAWING STATUS	
Current	
SD-8234-D	
A1	ISSUE A

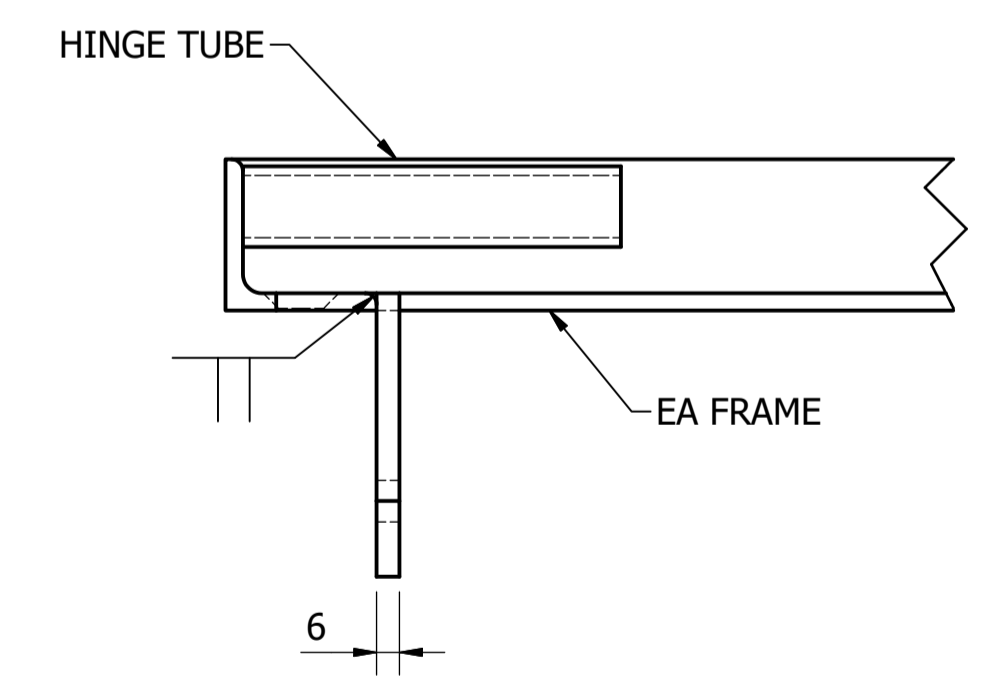
1 2 3 4 5 6 7 8 9 10 11 12



DETAIL 1
HINGE TUBE
SCALE: 1 : 1



HATCH FRAME



END VIEW
HATCH STAY BRACKET
SCALE: 1 : 2

MATERIAL: CARBON STEEL
COATING: HOT DIP GALVANISED
FINISH COLOUR: N/A
MASS: 14 kg

ITEM	AMDT.
PN823501	

No.	ISSUE	DATE	DRAWN	CHECKED	AUTHORISED
A	INITIAL ISSUE	15/06/2018	K. Patel	K. Danenbergsons	D. Eager

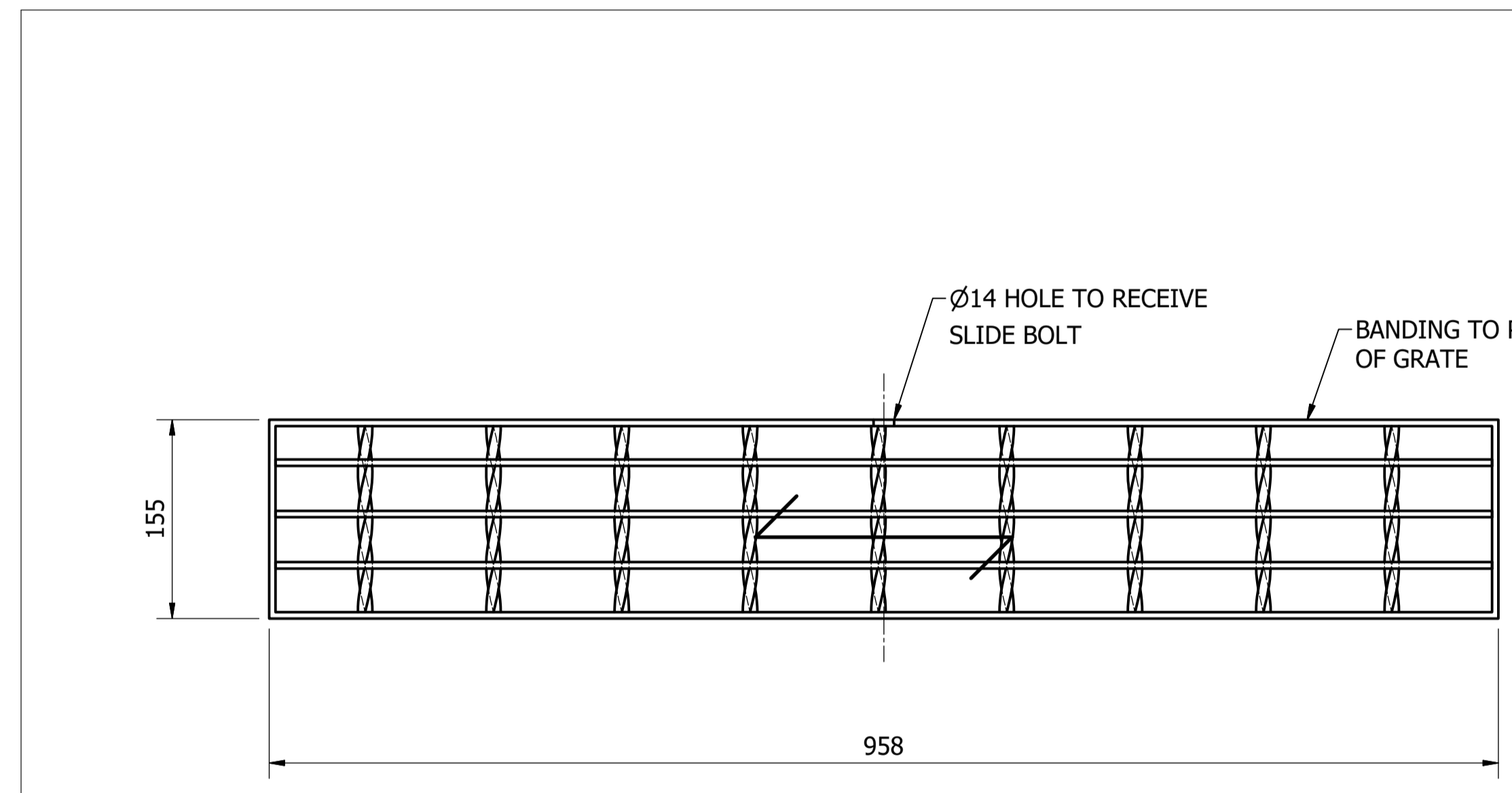
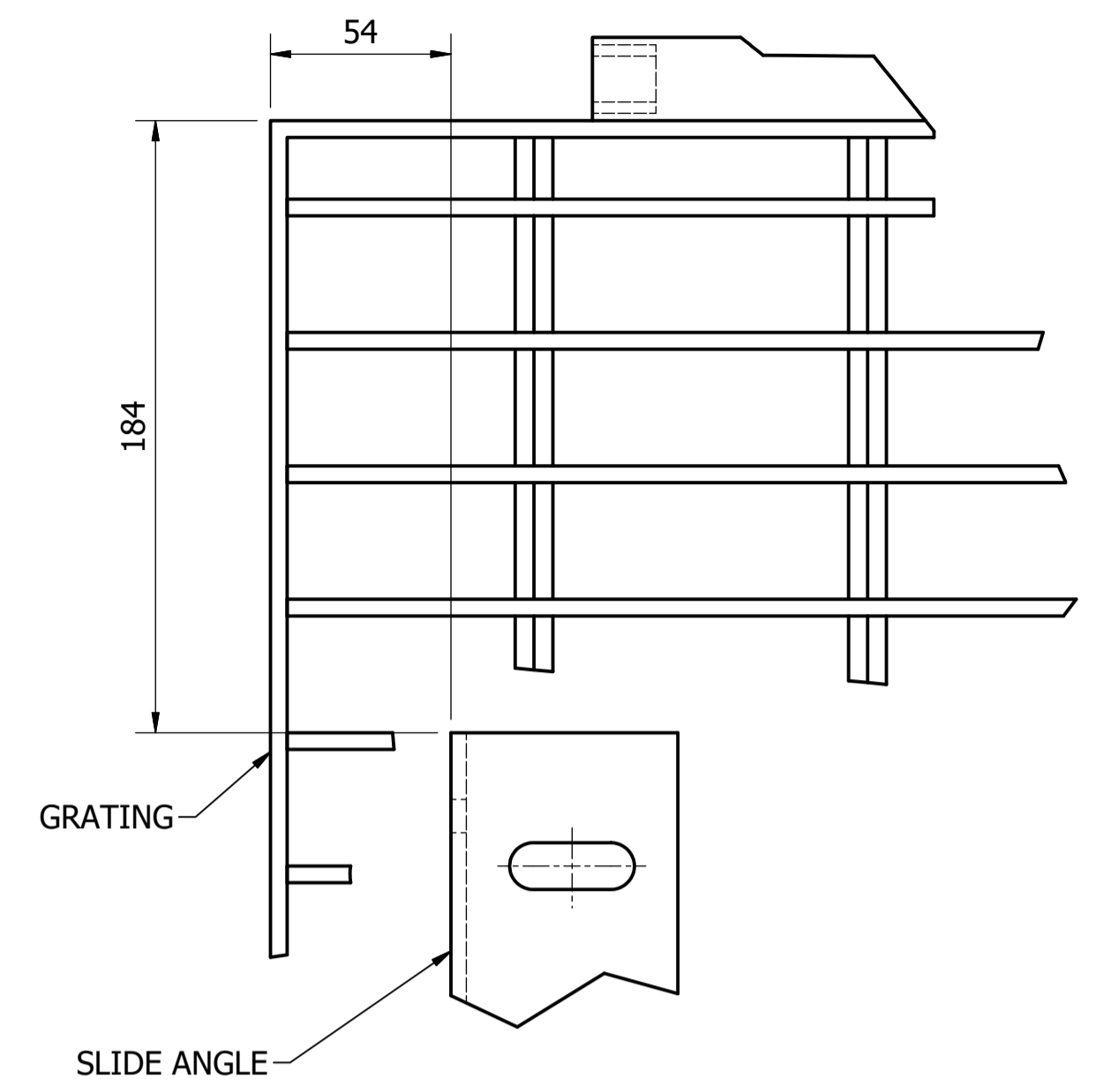
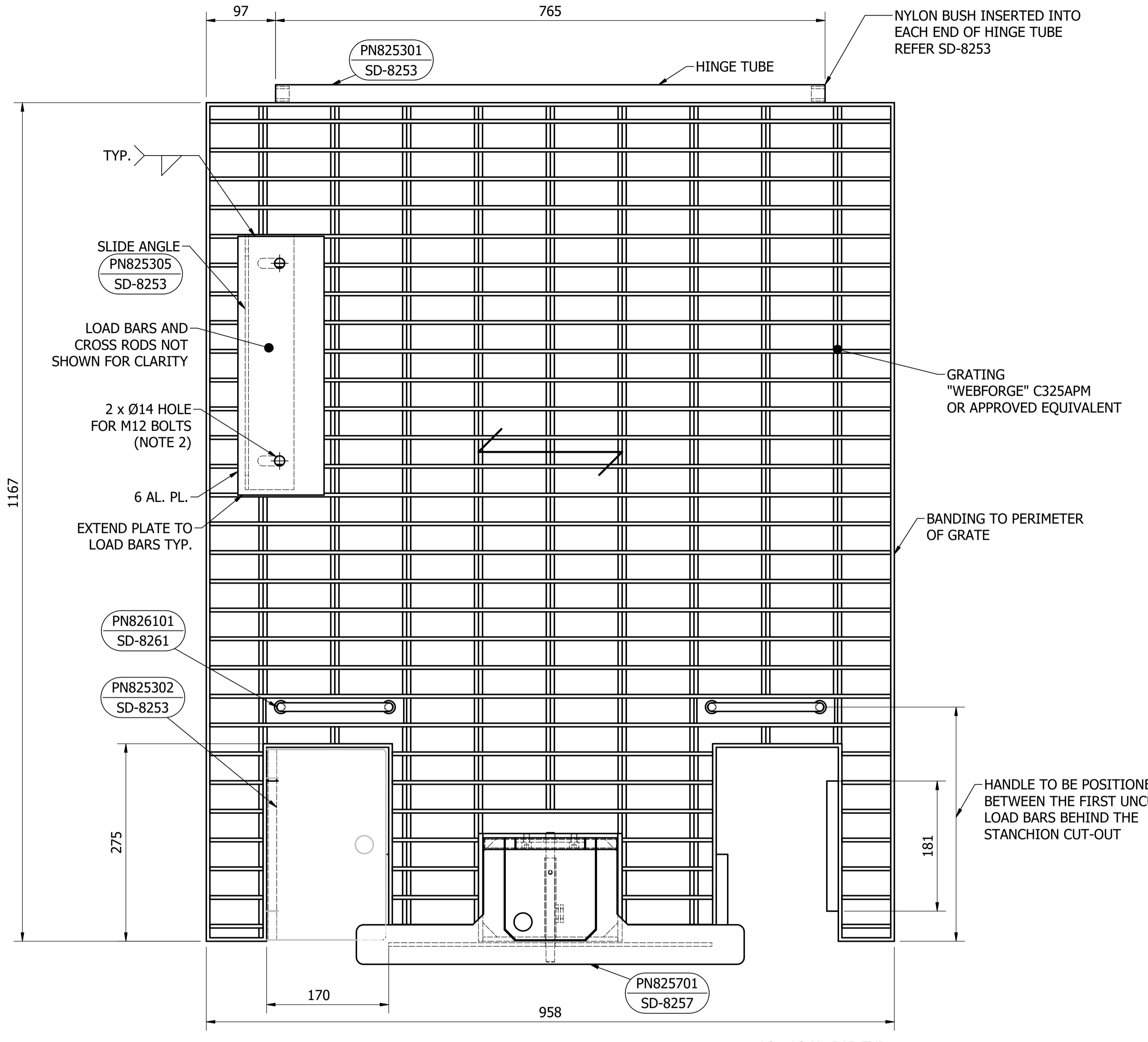
DAM	RES	SPS
BWS	WAT	STP
WTP	SEW	
WPS	REC	
ASSET AREA APPLICABILITY		



STANDARD DRAWING
FLUSH FIT ACCESS COVERS - HDG AND ALUMINIUM
HINGED FOR INCLINED RUNG AND STEP LADDERS
FRAME DETAILS

DRAWING STATUS		Current
A1		SD-8235-D
ISSUE		A

- NOTES:**
- CARE TO BE TAKEN TO ALIGN GRATING LOAD BARS AND CROSS RODS AS TO NOT INTERFERE WITH THE LIFTING HANDLES.
 - HOLE PATTERN OF BOLT PLATE TO SUIT SLIDE ANGLE OF THE HATCH STAY ASSEMBLY.
 - PROVIDE A MINIMUM EDGE CLEARANCE OF 2 x BOLT DIAMETER FOR SLIDE ANGLE BOLT HOLES.



HATCH COVER
SCALE: 1 : 4

MATERIAL: ALUMINIUM
COATING: N/A
FINISH COLOUR: N/A
MASS: 21 kg

MATERIAL: CARBON STEEL
COATING: HOT DIP GALVANISED
FINISH COLOUR: N/A
MASS: 10 kg

ITEM	AMDT.
PN823601	

ITEM	AMDT.
PN823602	

DAM	RES	SPS
BWS	WAT	STP
WTP	SEW	
WPS	REC	



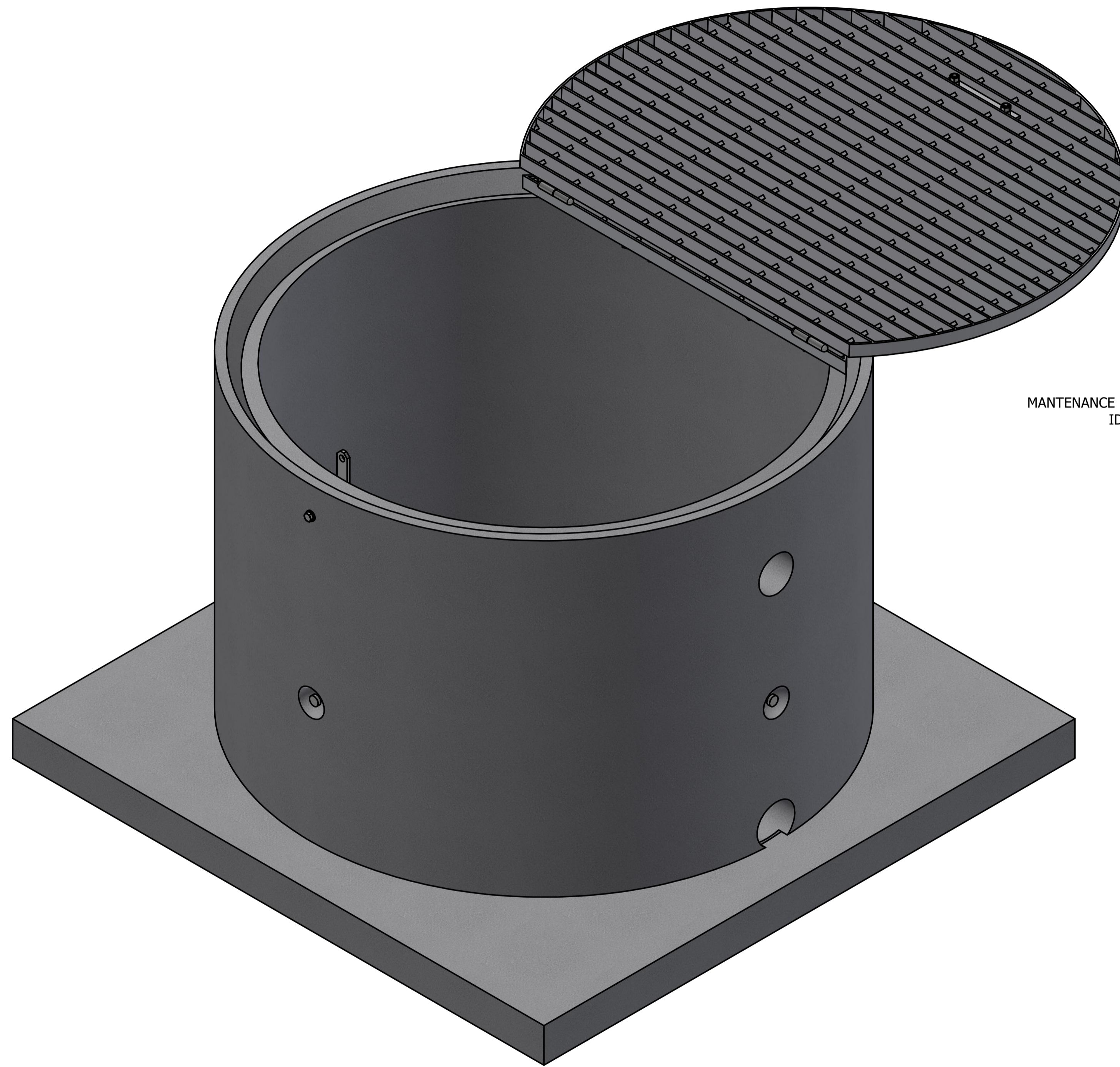
STANDARD DRAWING
FLUSH FIT ACCESS COVERS - HDG AND ALUMINIUM
HINGED FOR INCLINED RUNG AND STEP LADDERS
COVER DETAILS

DRAWING STATUS	
Current	
SD-8236-D	
A1	ISSUE A

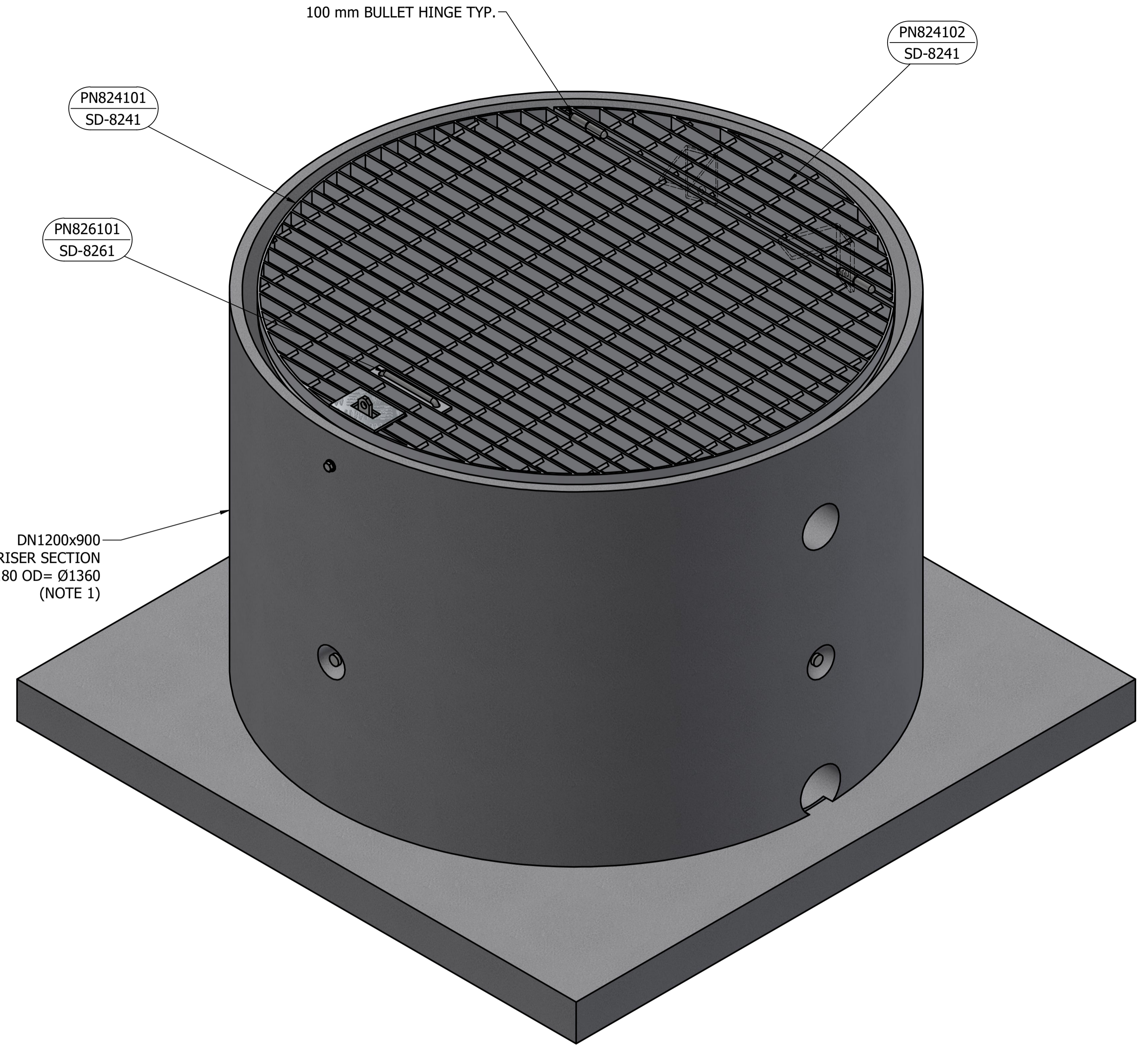
No.	ISSUE	DATE	DRAWN	CHECKED	AUTHORISED
A	INITIAL ISSUE	15/06/2018	K. Patel	K. Danenbergson	D. Eager

NOTES:

- REFER TO SD-3211 OR SD-3212 FOR INSTALLATION DETAILS OF RC RISER SECTION



OPEN POSITION



CLOSED POSITION

DN1200x900
MAINTENANCE HOLE RISER SECTION
ID= Ø1180 OD= Ø1360
(NOTE 1)

PARTS LIST				
PART NUMBER	DESCRIPTION	QTY	MASS	REFERENCE
PN824101	COVER PANEL 1	1	20 kg	SD-8241
PN824102	COVER PANEL 2	1	10 kg	SD-8241
PN826101	LIFTING HANDLE	1	0.5 kg	SD-8261
N/A	100 mm BULLET HINGE	2	0.5 kg	N/A

ITEM	AMDT.
PN824001	B

No.	ISSUE	DATE	DRAWN	CHECKED	AUTHORISED
A	INITIAL ISSUE	17/09/2018	S. Essery	K. Danenbergsons	C. Patrick
B	UPDATED TO SUIT DN1200 MH RISER	10/05/2023	M. Matuziak	P. Ngan	S. Asadollahi

REGISTERED ENGINEER
Name:
Discipline:
Date:
Applicable Revision

DAM	RES	SPS
BWS	WAT	STP
WTP	SEW	
WPS	REC	

ASSET AREA APPLICABILITY

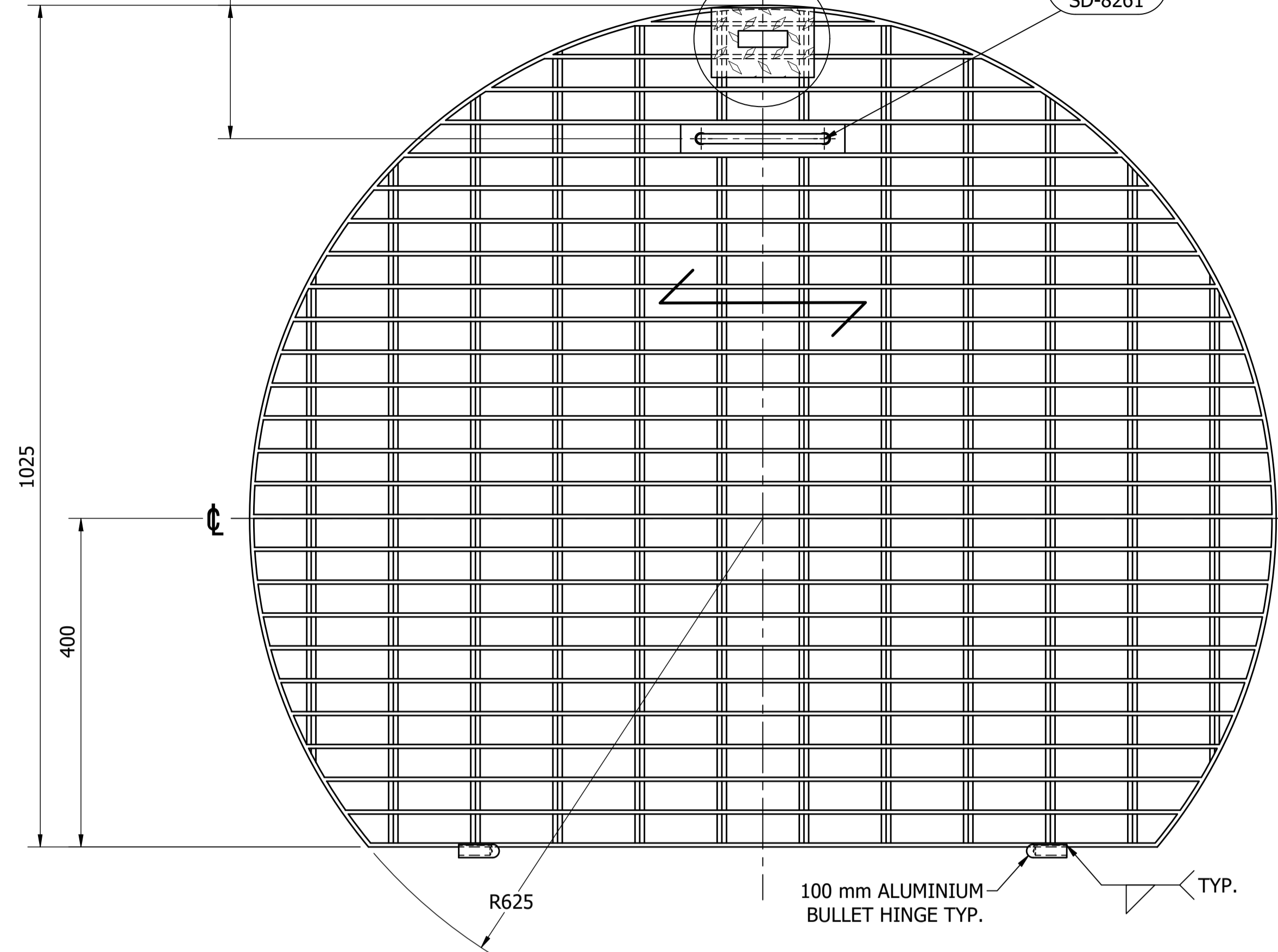


STANDARD DRAWING
ACCESS COVERS
DN1200 CIRCULAR MANHOLE RISER
GENERAL ARRANGEMENT

DRAWING STATUS
Current
SD-8240-D
A1
© Icon Water 2025
ISSUE B

165 NOM.
(LIFTING HANDLE TO BE LOCATED
BETWEEN THE NEAREST LOAD BARS)

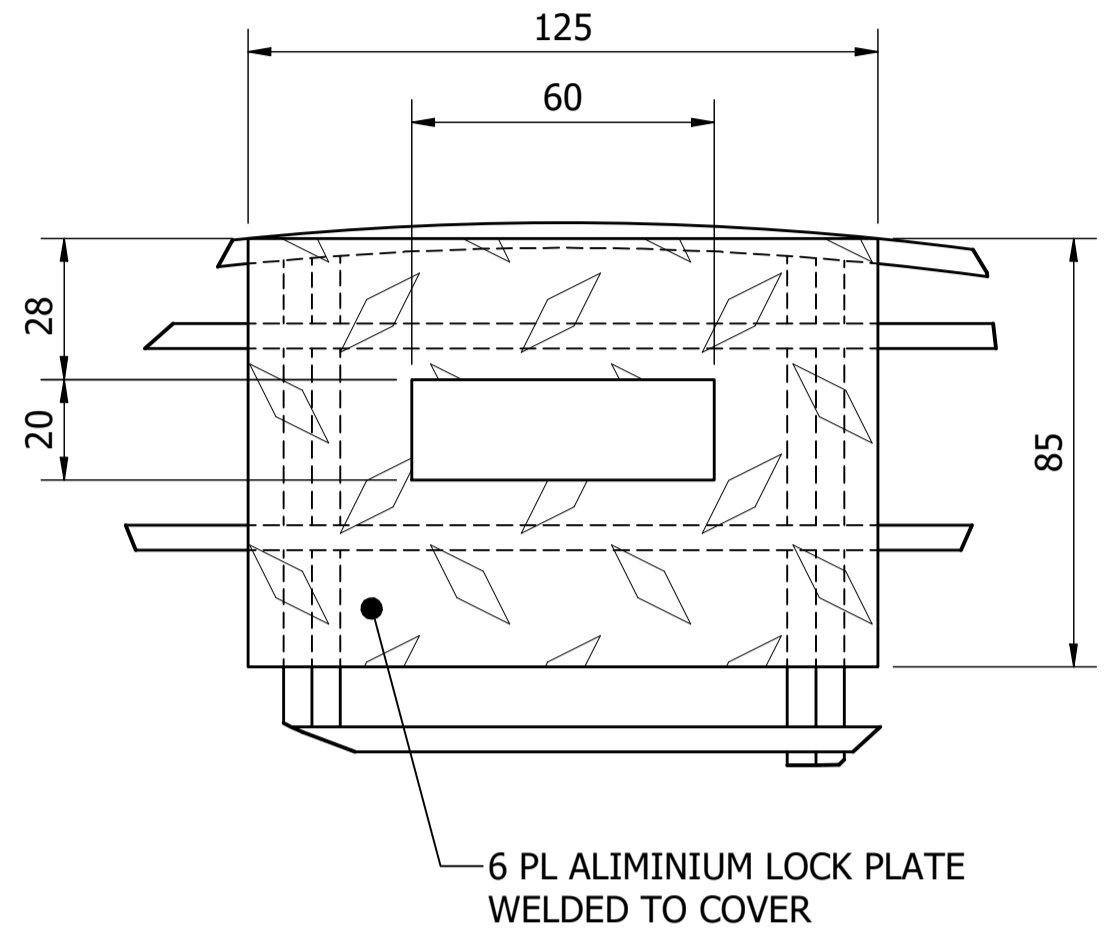
PN826101
SD-8261



PLAN

COVER PANEL 1

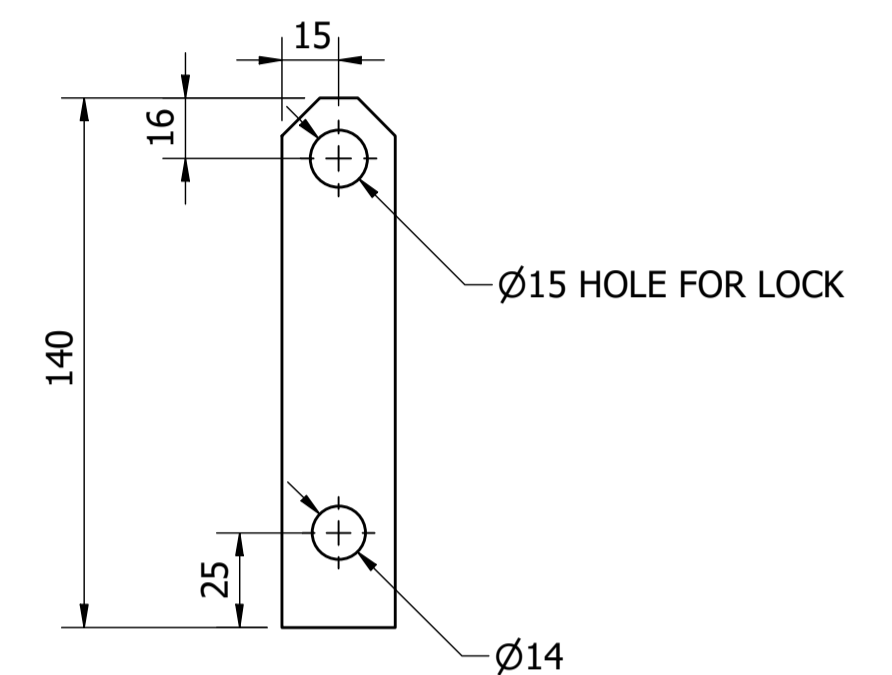
MATERIAL: ALUMINIUM WEBFORGE C325 APM BANDED ALL ROUND
MASS: 20 kg



DETAIL 1

LOCKING PLATE

SCALE: 1 : 2



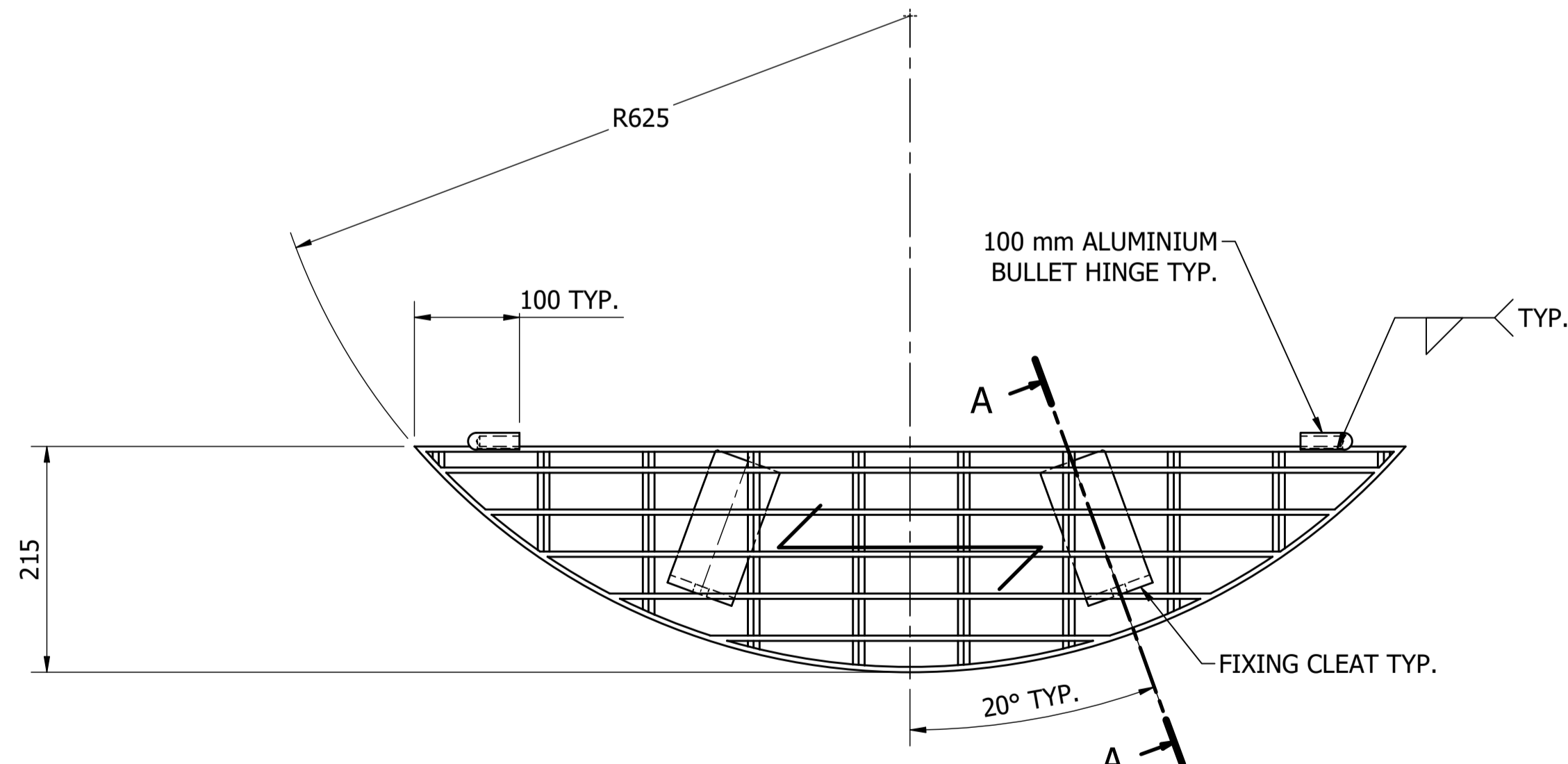
LOCKING TAB

MATERIAL: STAINLESS STEEL GRADE 316, 6 THK.
MASS: 0.5 kg

NOTES:

1. COVER PANELS HAVE BEEN DESIGNED TO BE LESS THAN 32 kg EACH AND CAPABLE OF SUPPORTING A 2.5 kPa UDL WITH A MAX. MIDSPAN DEFLECTION OF 5.0 mm.

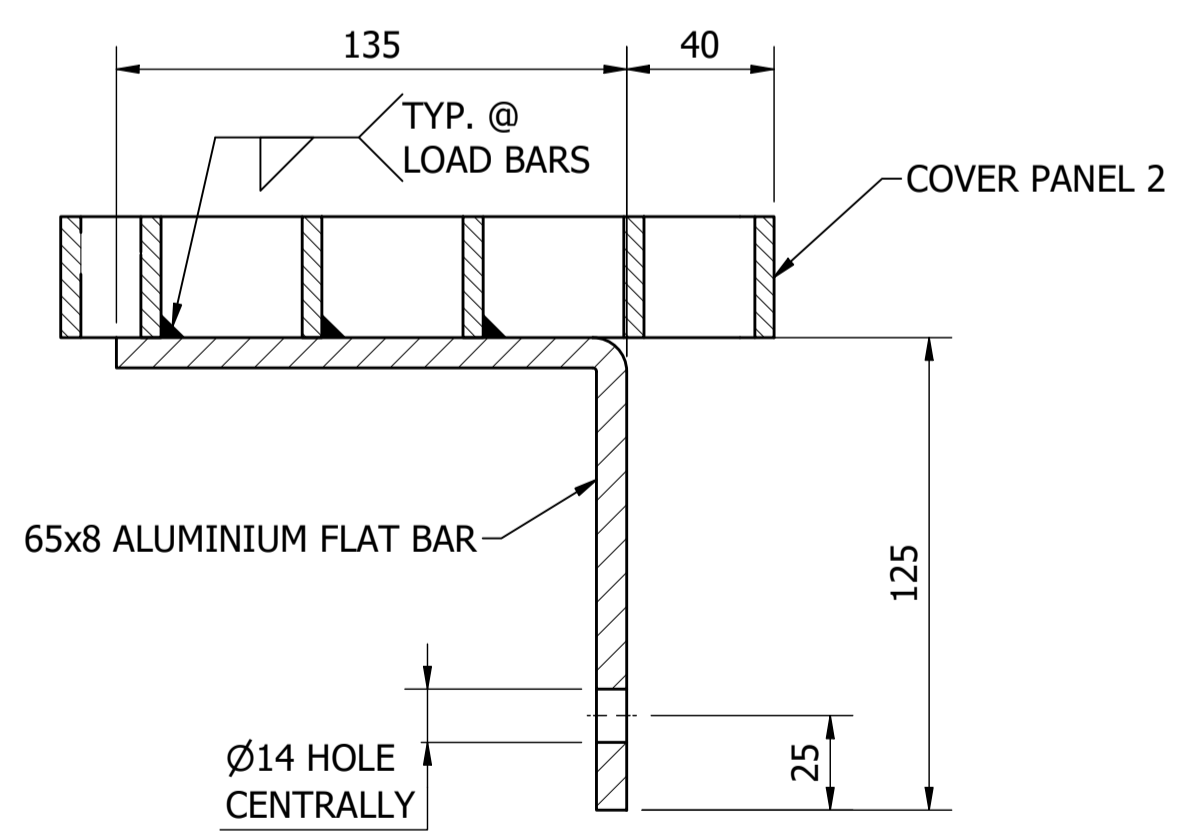
ITEM	AMDT.
PN824101	



PLAN

COVER PANEL 2

MATERIAL: AS PER PANEL 1
MASS: 10 kg



SECTION A-A

TYPICAL FIXING CLEAT DETAILS

SCALE: 1 : 2

ITEM	AMDT.
PN824102	C

No.	ISSUE	DATE	DRAWN	CHECKED	AUTHORISED
A	INITIAL ISSUE	15/06/2018	M. Matusiak	K. Danenbergsons	D. Eager
B	DRAWING NAME & NUMBER, HINGE, AND KEEPER PLATE UPDATE	17/09/2018	S. Essery	K. Danenbergsons	C. Patrick
C	UPDATED TO SUIT DN1200 MH RISER PIT	10/05/2023	M. Matusiak	P. Ngan	S. Asadollahi

REGISTERED ENGINEER

Name:
Discipline:
Date:
Applicable Revision

	DAM	RES	SPS
	<input checked="" type="checkbox"/>	<input checked="" type="checkbox"/>	<input checked="" type="checkbox"/>
	WAT	STP	
	<input checked="" type="checkbox"/>	<input checked="" type="checkbox"/>	
	WTP	SEW	
	<input checked="" type="checkbox"/>	<input checked="" type="checkbox"/>	
	WPS	REC	
	<input checked="" type="checkbox"/>	<input checked="" type="checkbox"/>	

ASSET AREA APPLICABILITY



STANDARD DRAWING
ACCESS COVERS
DN1200 CIRCULAR MANHOLE RISER
COVER DETAILS

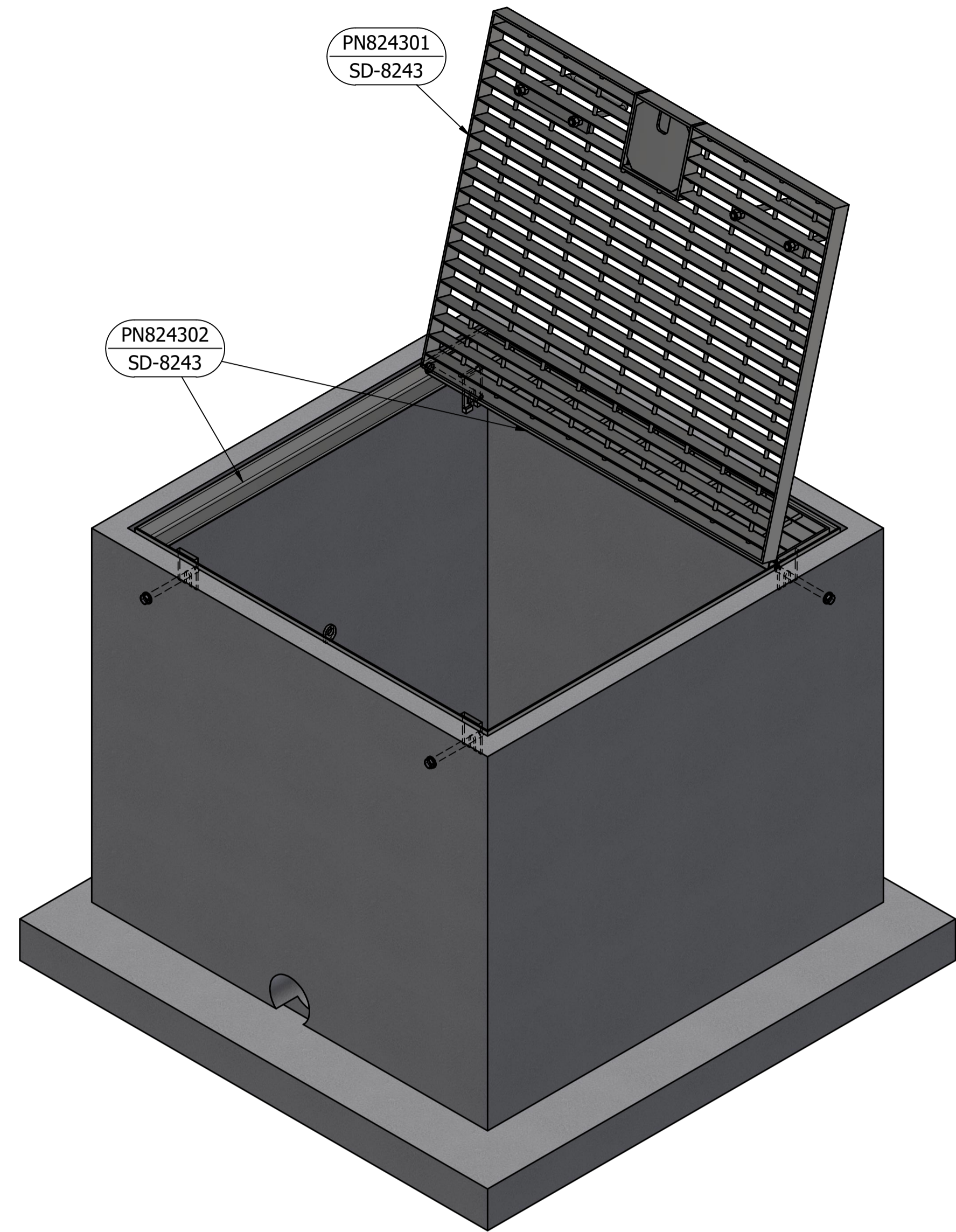
DRAWING STATUS

Current

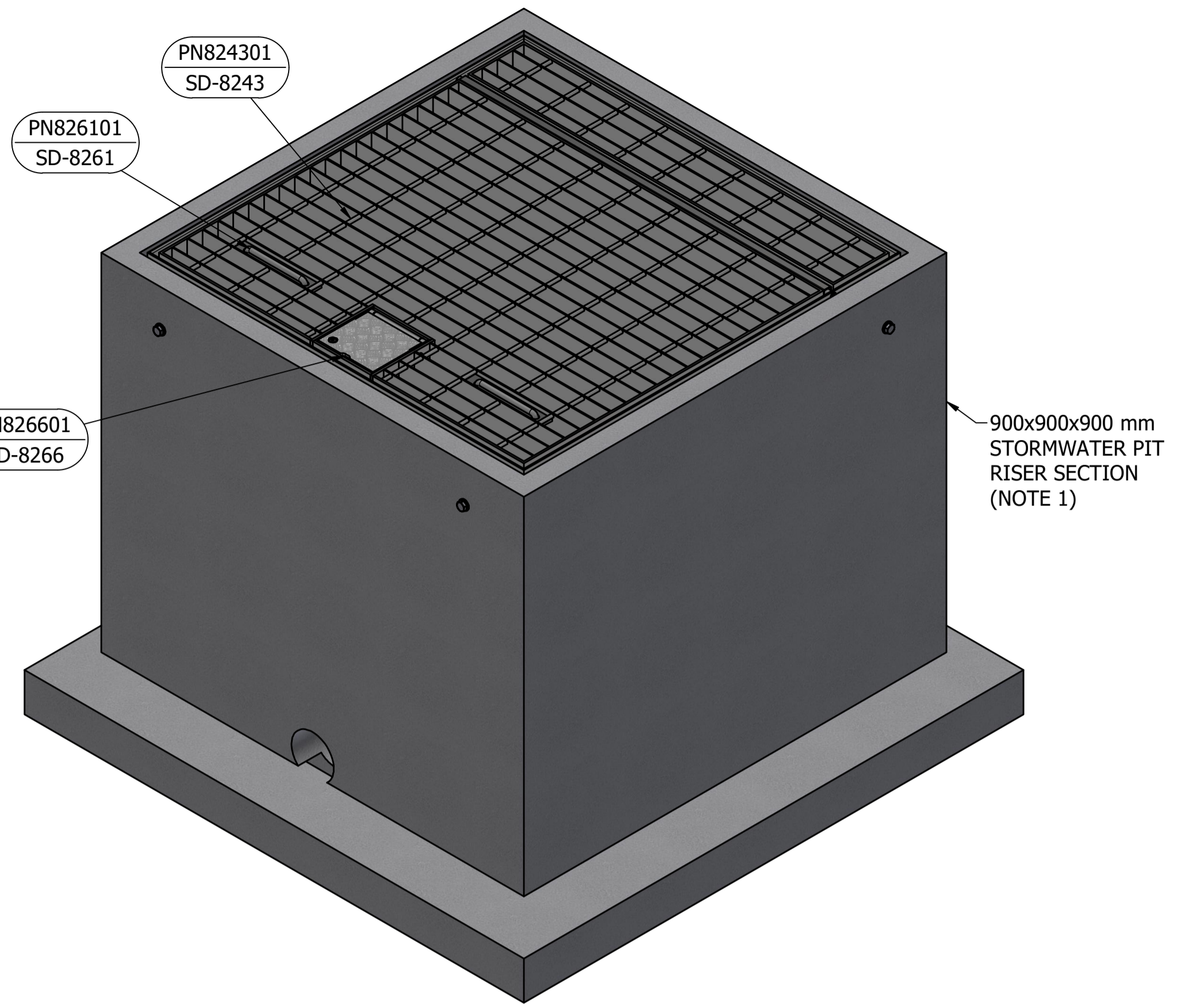
SD-8241-D

© Icon Water 2025

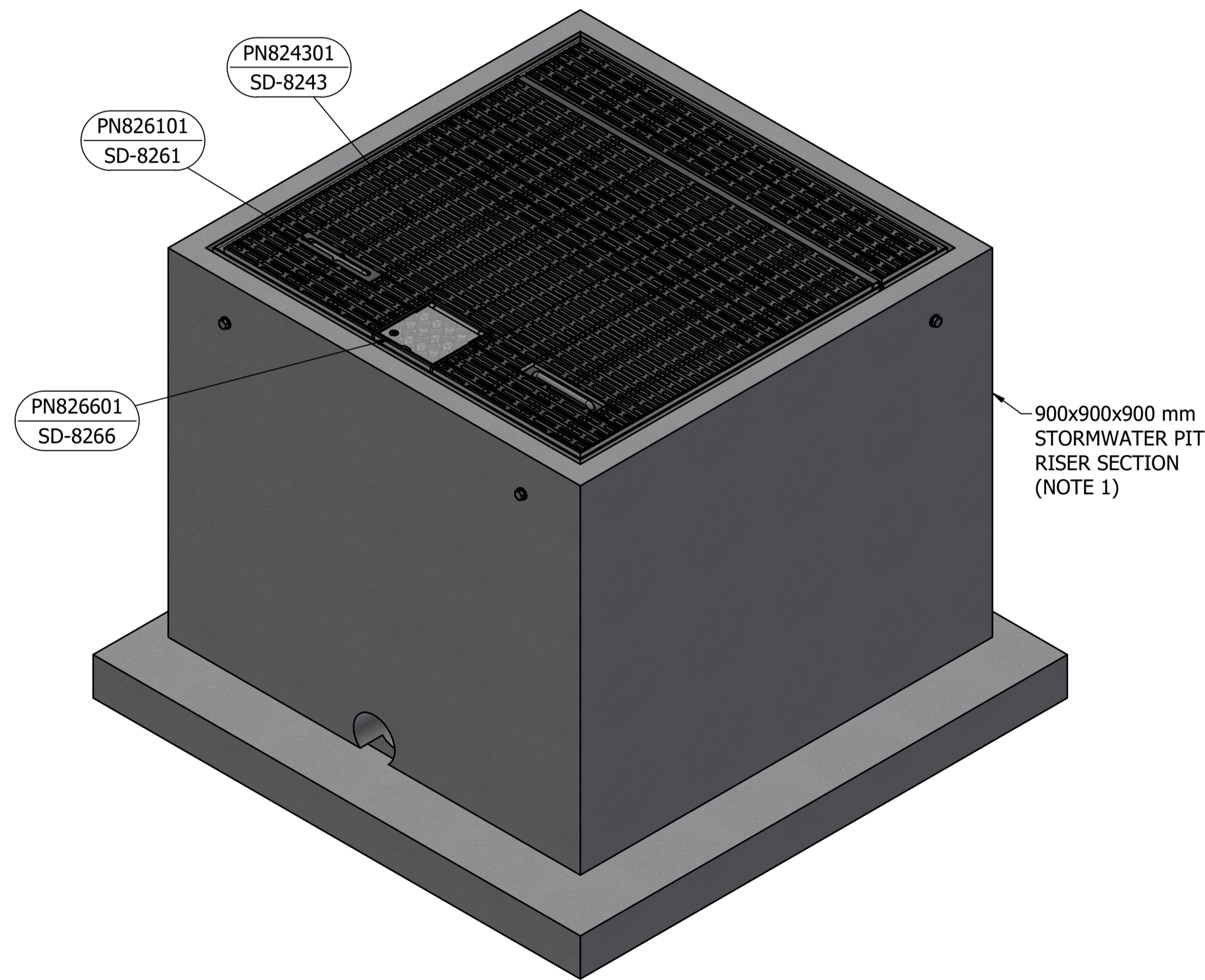
ISSUE
C



OPEN POSITION



CLOSED POSITION



CLOSED POSITION
(HEEL PROOF COVER)

NOTES:

- REFER TO SD-3216 OR SD-3217 FOR INSTALLATION DETAILS OF RC RISER SECTION.

PARTS LIST				
PART NUMBER	DESCRIPTION	QTY	MASS	REFERENCE
PN824301	HINGED COVER PANEL	1	30 kg	SD-8243
PN824302	COVER FRAME	1	20 kg	SD-8243
PN826601	LOCK BOX	1	8 kg	SD-8243
PN826101	LIFTING HANDLE	2	0.5 kg	SD-8261

ITEM	AMDT.
PN824201	A

No.	ISSUE	DATE	DRAWN	CHECKED	AUTHORISED
A	INITIAL ISSUE	25/09/2023	M. Matusiak	P. Ngan	S. Asadollahi

REGISTERED ENGINEER
Name:
Discipline:
Date:
Applicable Revision

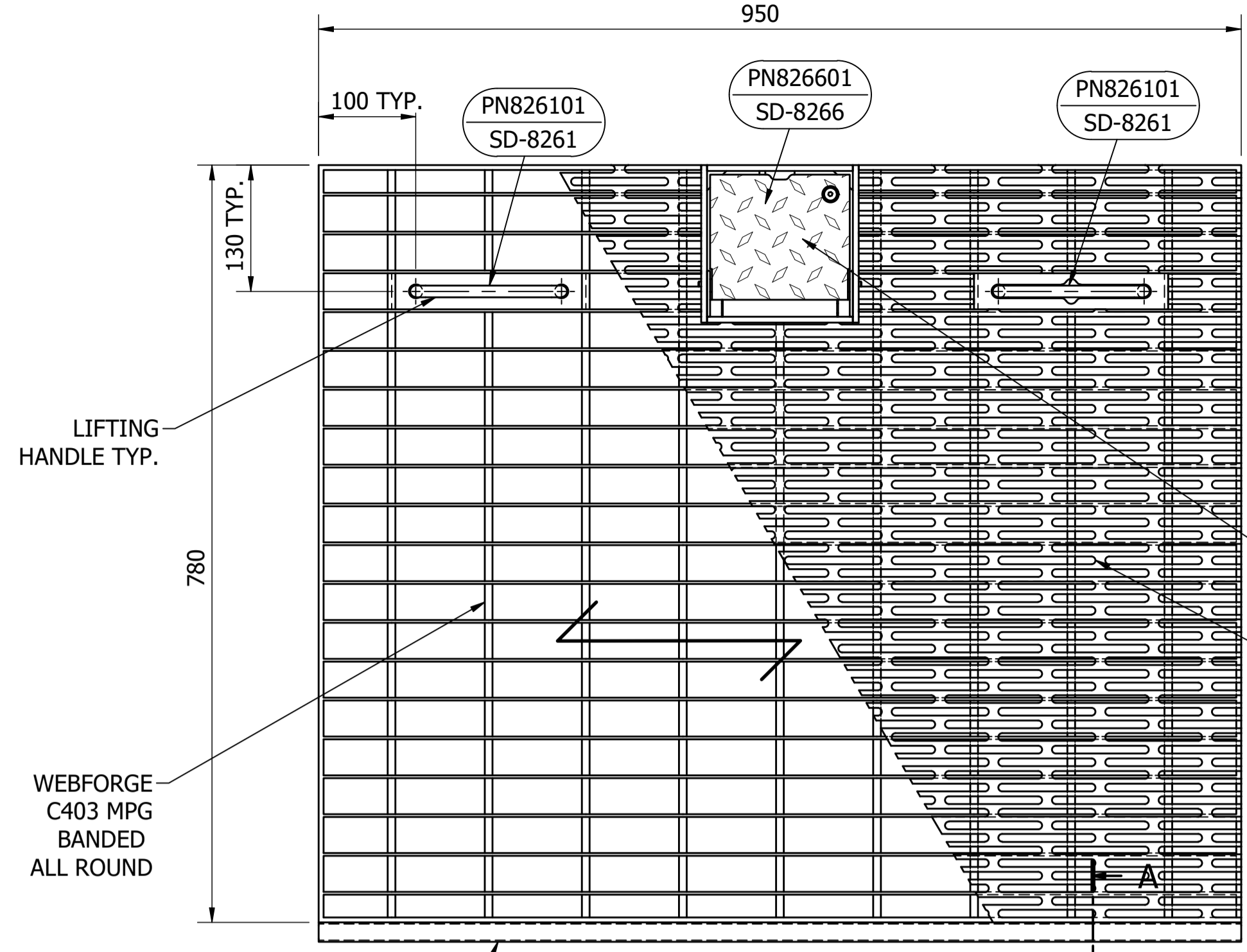
DAM	RES	SPS
	<input checked="" type="checkbox"/>	<input checked="" type="checkbox"/>
BWS	WAT	STP
WTP	SEW	
WPS	REC	<input checked="" type="checkbox"/>

ASSET AREA APPLICABILITY



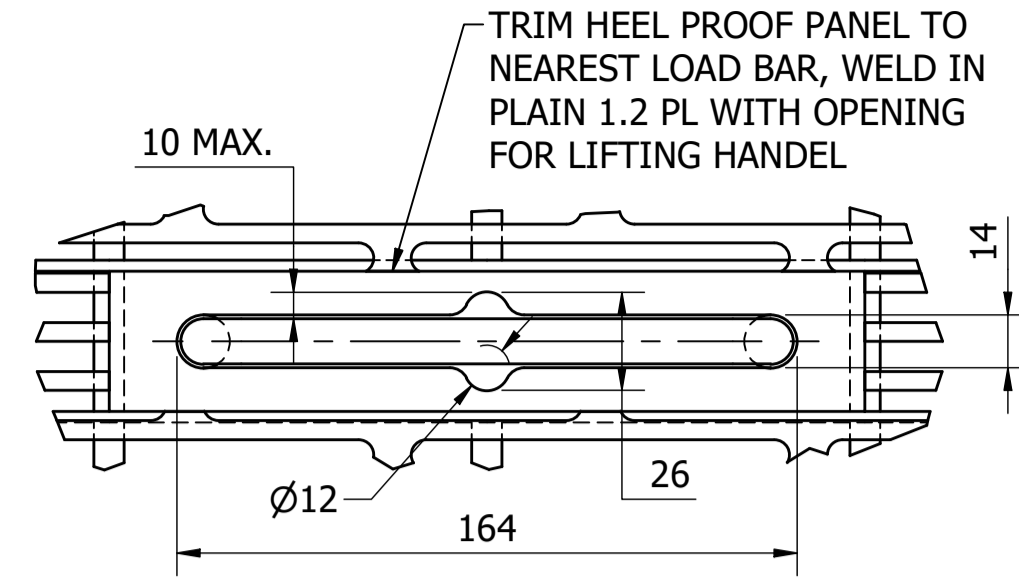
STANDARD DRAWING
ACCESS COVERS
900 mm SQUARE VALVE CHAMBER
GENERAL ARRANGEMENT

DRAWING STATUS	
Current	
SD-8242-D	ISSUE A
A1	© Icon Water 2025



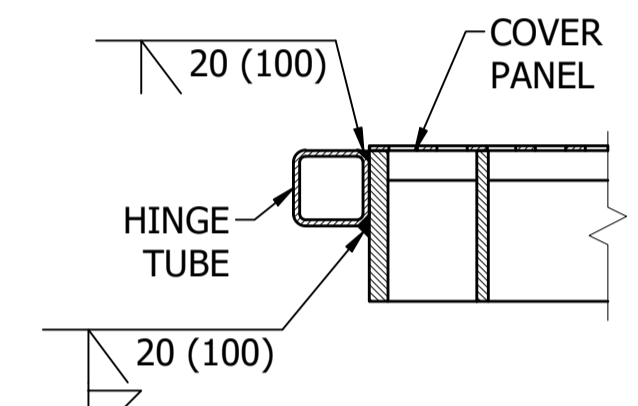
PLAN - HINGED COVER PANEL

MATERIAL: MILD STEEL
 COATING: HOT DIP GALVANISED
 FINISH COLOUR: N/A
 MASS: 30 kg

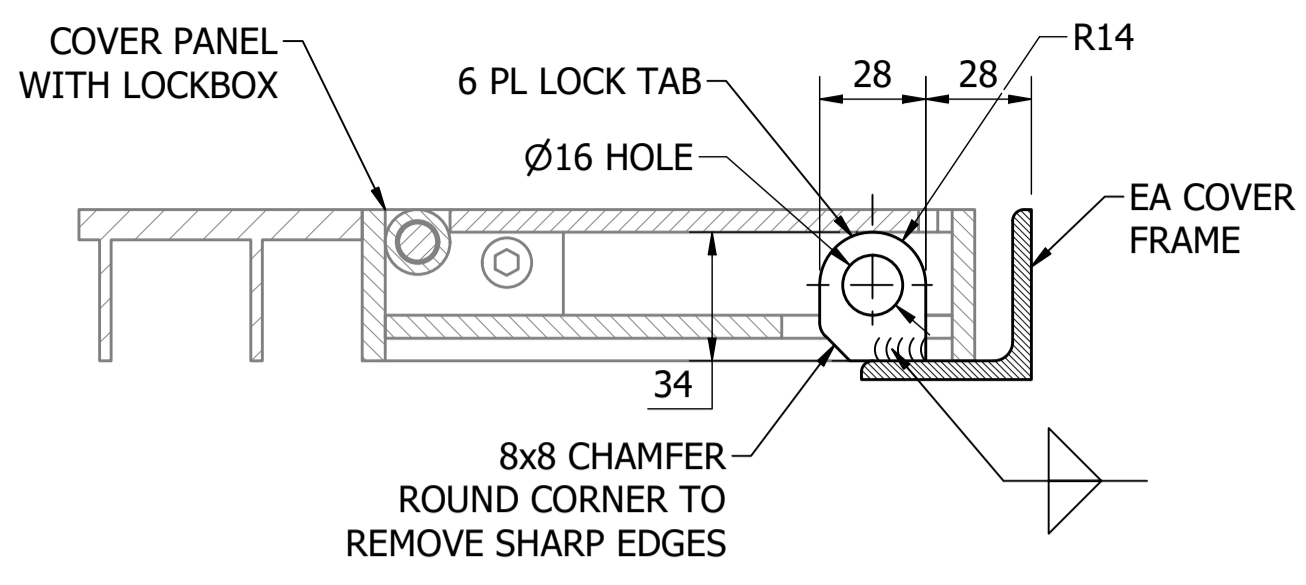


HEEL PROOF DETAIL AT LIFTING HANDLE
 SCALE: 1 : 2

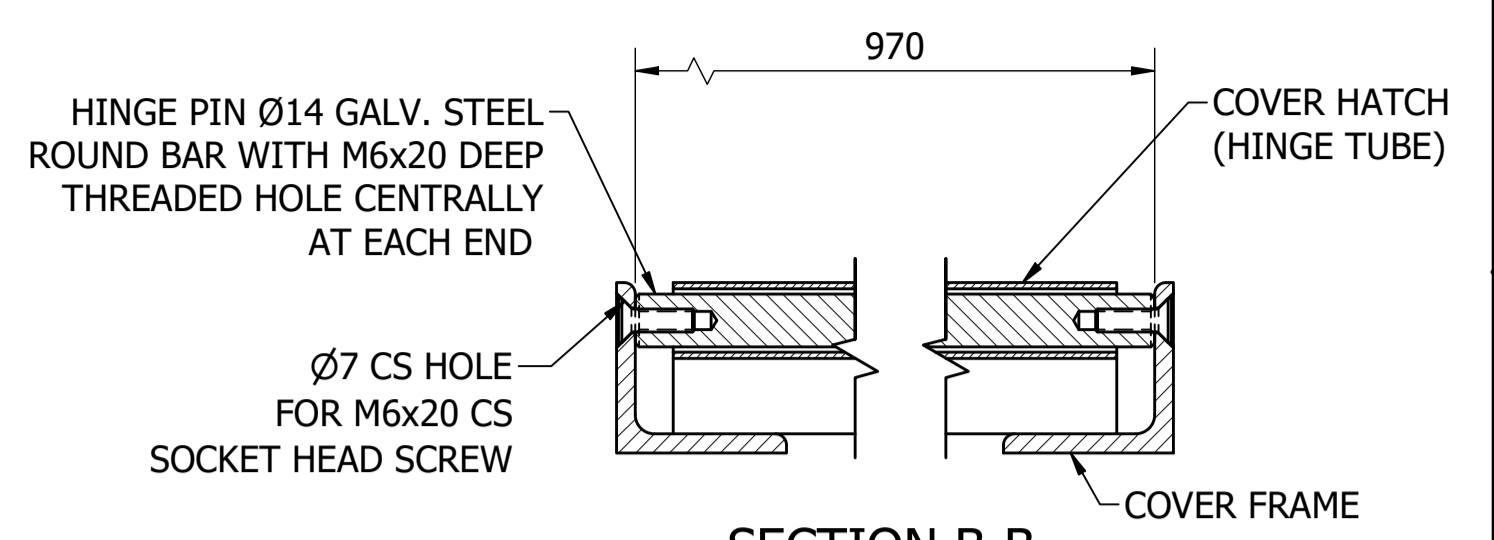
STEEL LOCK BOX WELDED INTO GRATING
 1.2 THK. HEEL PROOF PANEL FOR PITS IN PEDESTRIAN AREAS. MAX. APERTURE 8 mm (SHORT SIDE) (COVER MUST REMAIN FREE VENTING)



SECTION A-A
 SCALE: 1 : 2

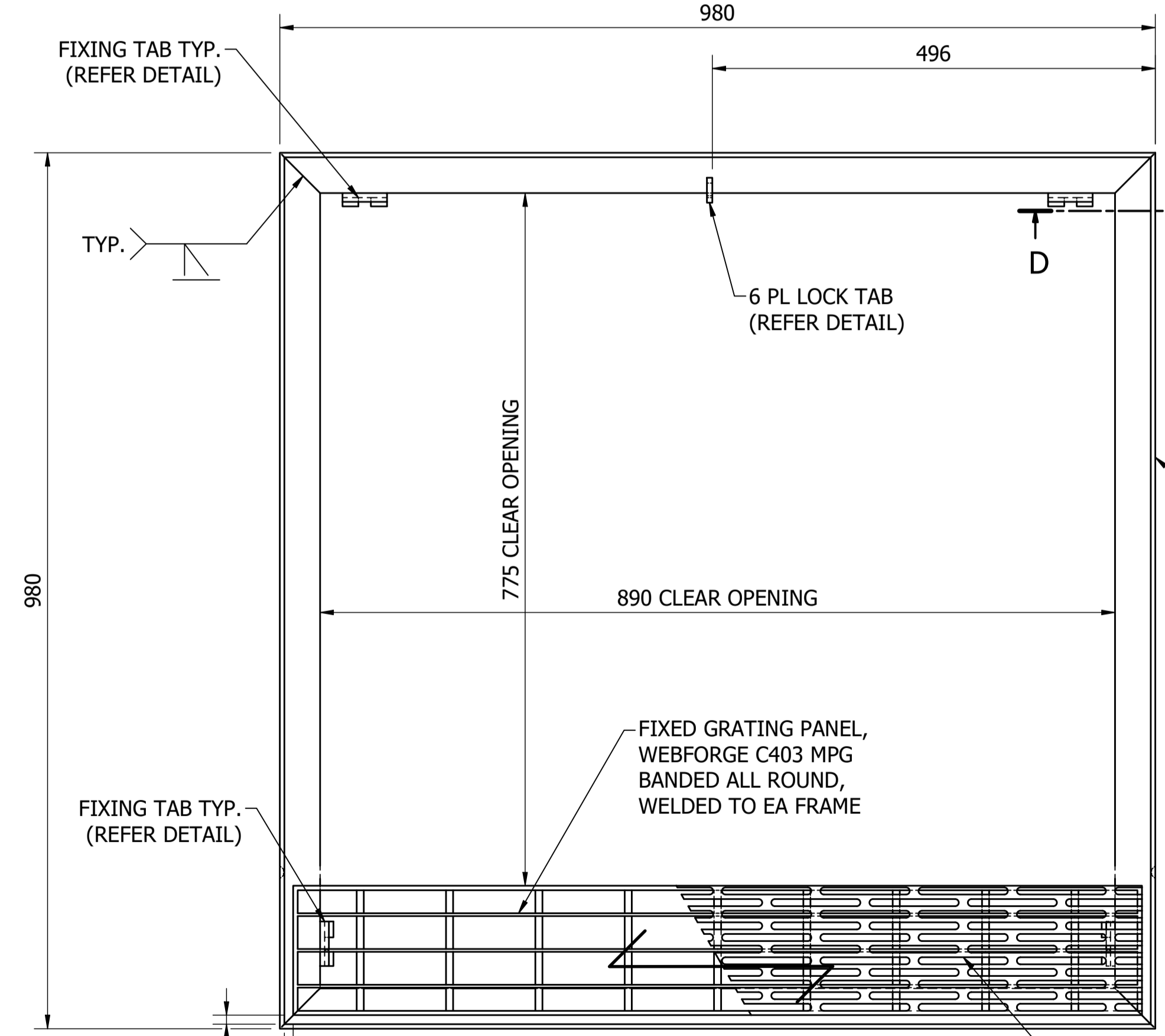


SECTION C-C
LOCK TAB DETAILS
 SCALE: 1 : 2



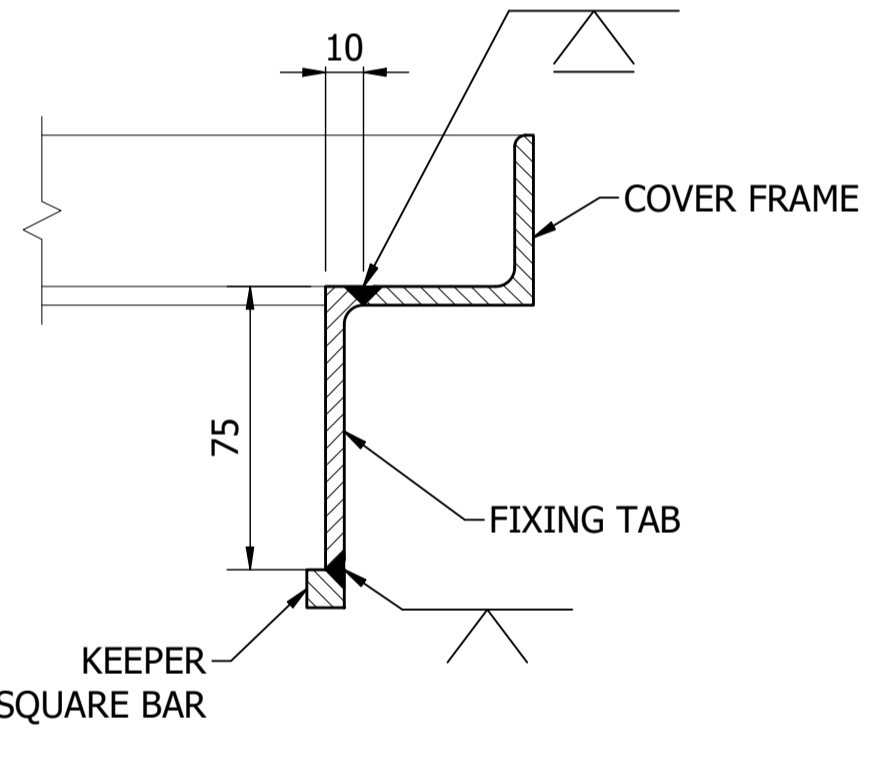
SECTION B-B
HATCH HINGE DETAILS
 SCALE: 1 : 2

ITEM	AMDT.
PN824301	A

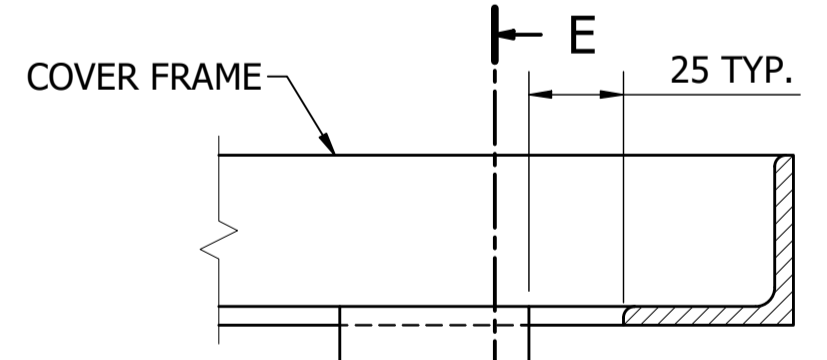


PLAN - COVER FRAME

MATERIAL: MILD STEEL
 COATING: HOT DIP GALVANISED
 FINISH COLOUR: N/A
 MASS: 20 kg

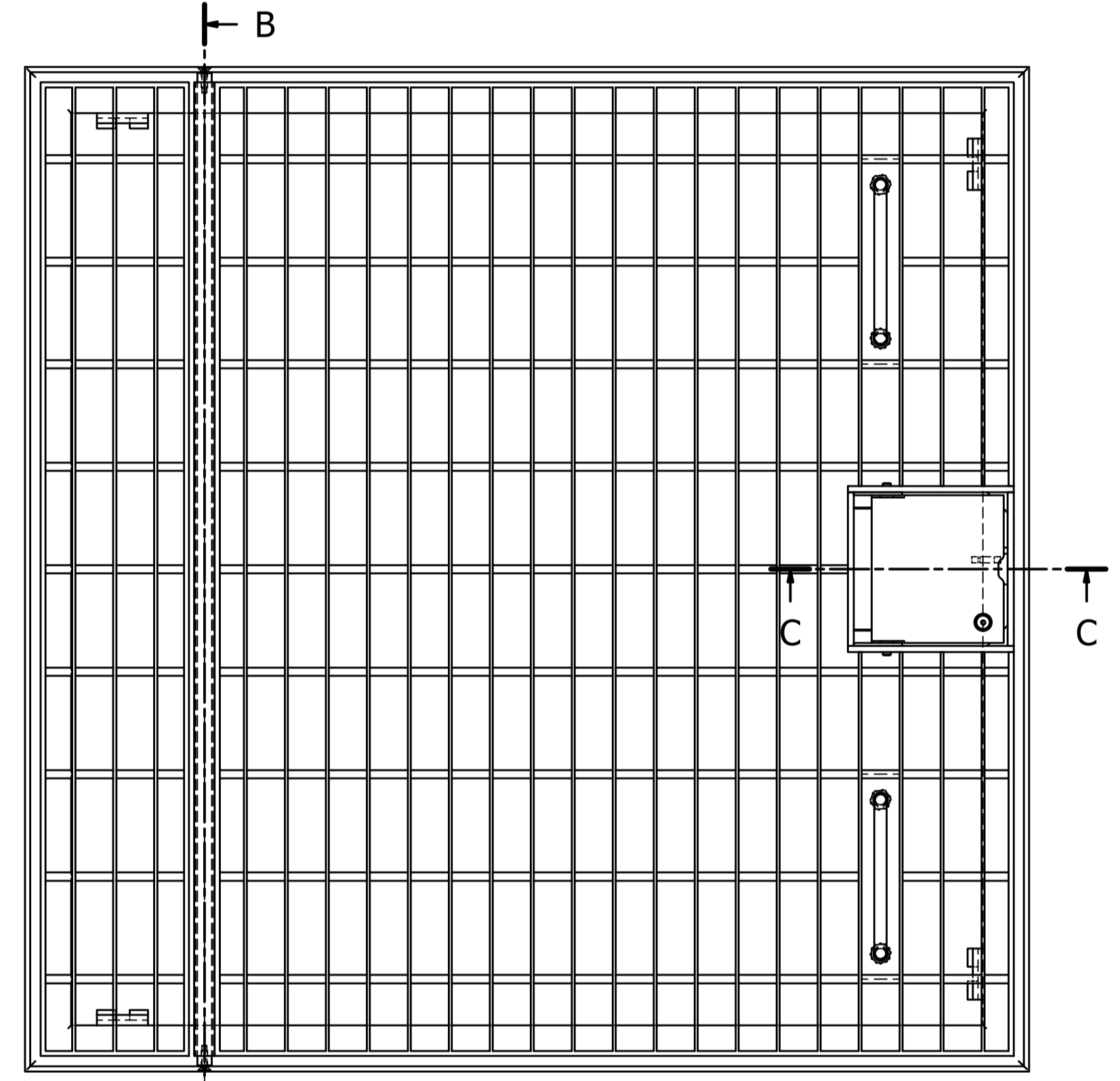


SECTION E-E



SECTION D-D
KEEPER TAB DETAILS
 SCALE: 1 : 2

FIXING TAB (4 OFF REQUIRED) 50 WIDE 75x5 EA (CUT DOWN) OR 50x5 FL BENT TO SUIT.



PLAN
FRAME AND HATCH ASSEMBLY DETAILS
 SCALE: 1 : 5

NOTES:

- COVER PANELS HAVE BEEN DESIGNED TO BE LESS THAN 32 kg EACH AND CAPABLE OF SUPPORTING A 2.5 kPa UDL WITH A MAX. MIDSPAN DEFLECTION OF 5.0 mm.
- THIS DESIGN IS BASED ON A 900x900x900 mm PRECAST CONCRETE PIT RISER WITH A 50x50 mm JOINT REBATE.
- ALL ITEMS EXCEPT HINGES ARE TO BE HOT DIP GALVANISED AFTER FABRICATION. HINGES ARE TO BE "COLD GALVANISED" IN ACCORDANCE WITH WSA-201 AFTER INSTALLATION ON SITE.

ITEM	AMDT.
PN824302	A

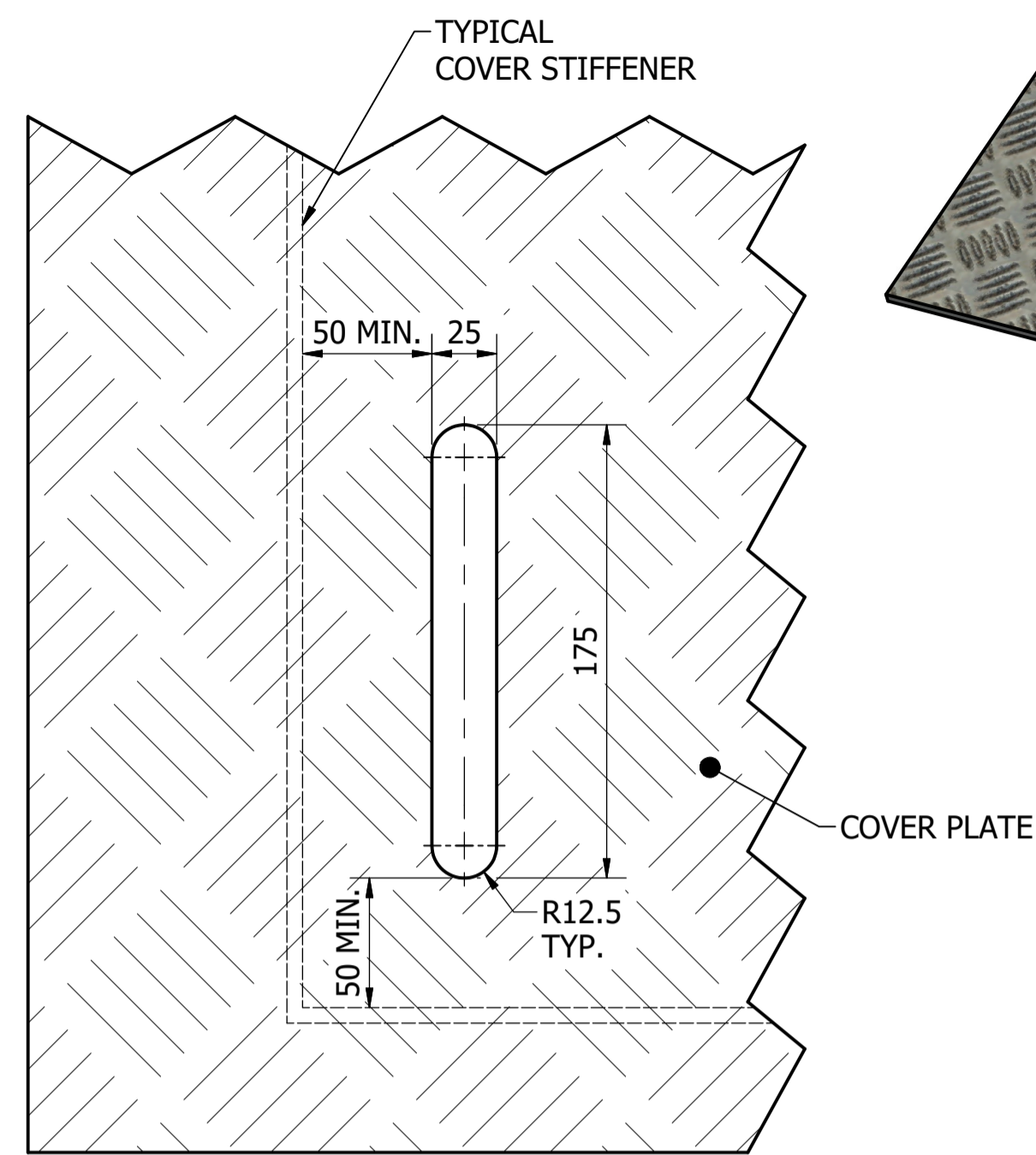
No.	ISSUE	DATE	DRAWN	CHECKED	AUTHORISED
A	INITIAL ISSUE	25/09/2023	M. Matusiak	P. Ngan	

REGISTERED ENGINEER	DAM	RES	SPS
Name:	BWS	WAT	STP
Discipline:	WTP	SEW	
Date:	WPS	REC	
Applicable Revision	ASSET AREA APPLICABILITY		



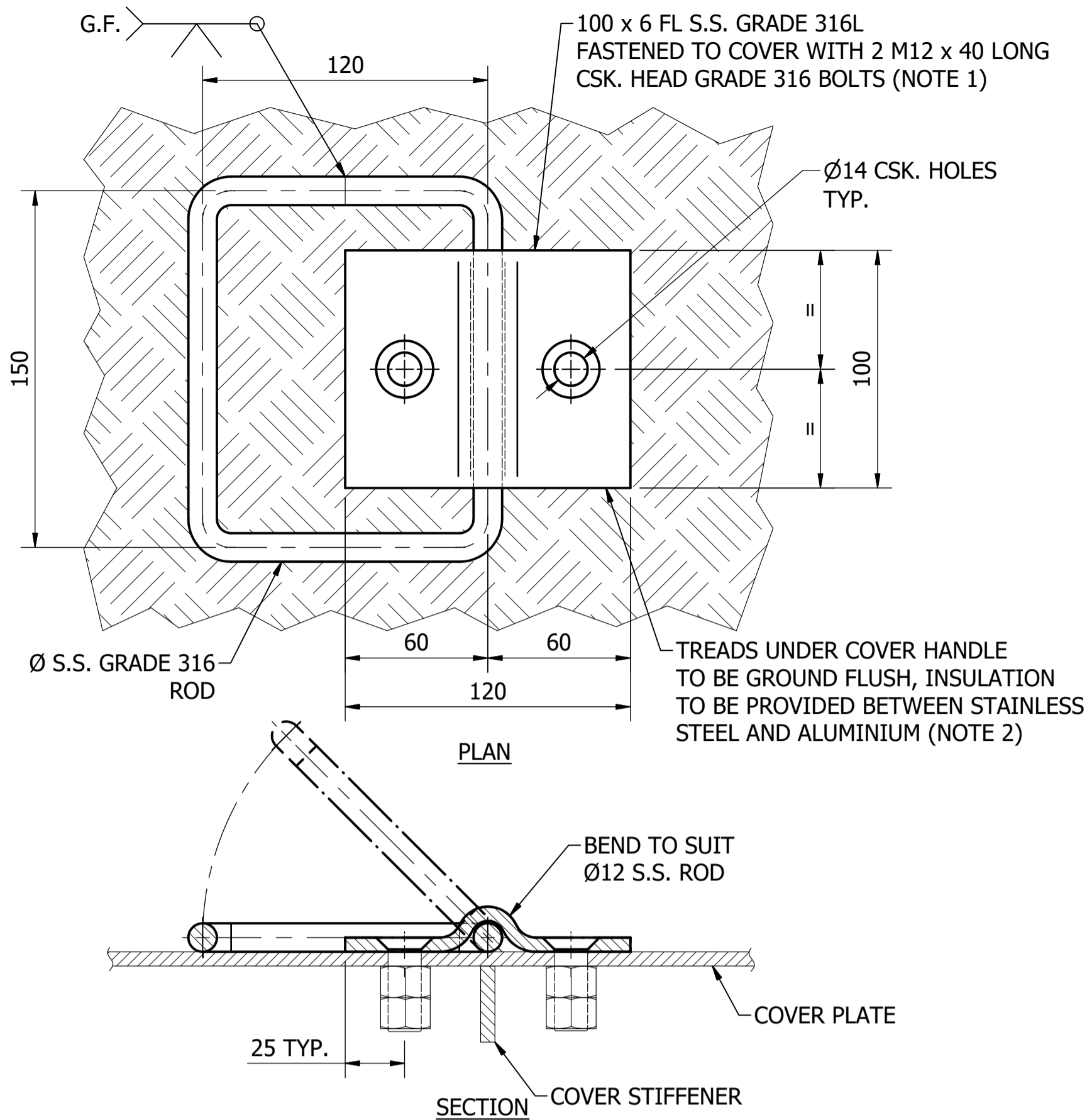
STANDARD DRAWING
 ACCESS COVERS
 900 mm SQUARE VALVE CHAMBER
 COVER DETAILS

DRAWING STATUS	Current
SD-8243-D	ISSUE A
A1	© Icon Water 2025



ISOMETRIC
SCALE: N.T.S.

HAND SLOT
FOR ACCESS HATCHES WITH A MASS OF ≥ 10 kg ONLY
SCALE: 1 : 2.5



FOLD FLAT HANDLE
SCALE: 1:2
MATERIAL: STAINLESS STEEL
COATING: N/A
FINISH COLOUR: N/A
MASS: 1 kg

ITEM	AMDT.
PN825102	

ITEM	AMDT.
PN825101	

NOTES

1. STAINLESS STEEL TO ALUMINIUM CONNECTIONS TO BE INSULATED WITH "DENSO" PRIMER D AND DENSOPOL 60 TAPE OR APPROVED EQUIVALENT.
2. ALL STAINLESS STEEL FIXTURES INTO ALUMINIUM TO BE SEPARATED WITH INSULATING BUSHES AND RETAINING RINGS OR WASHERS.

DAM	RES	SPS
BWS	WAT	STP
WTP	SEW	
WPS	REC	



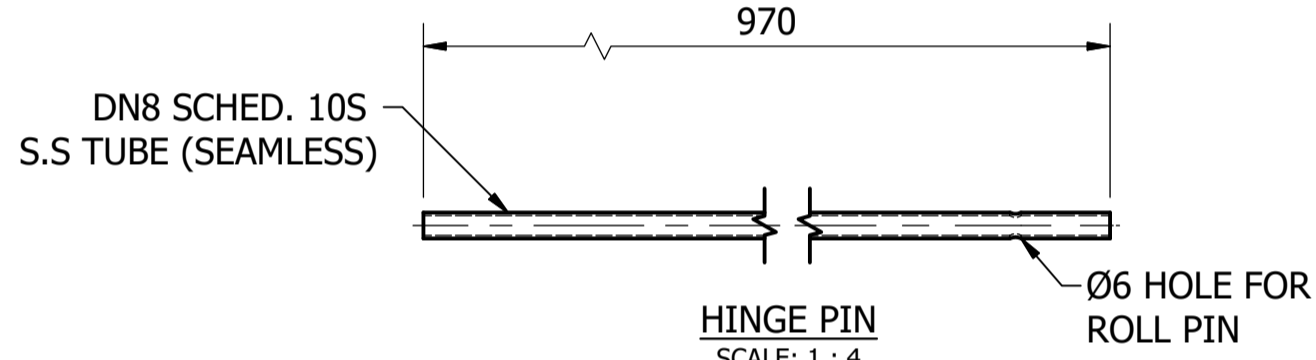
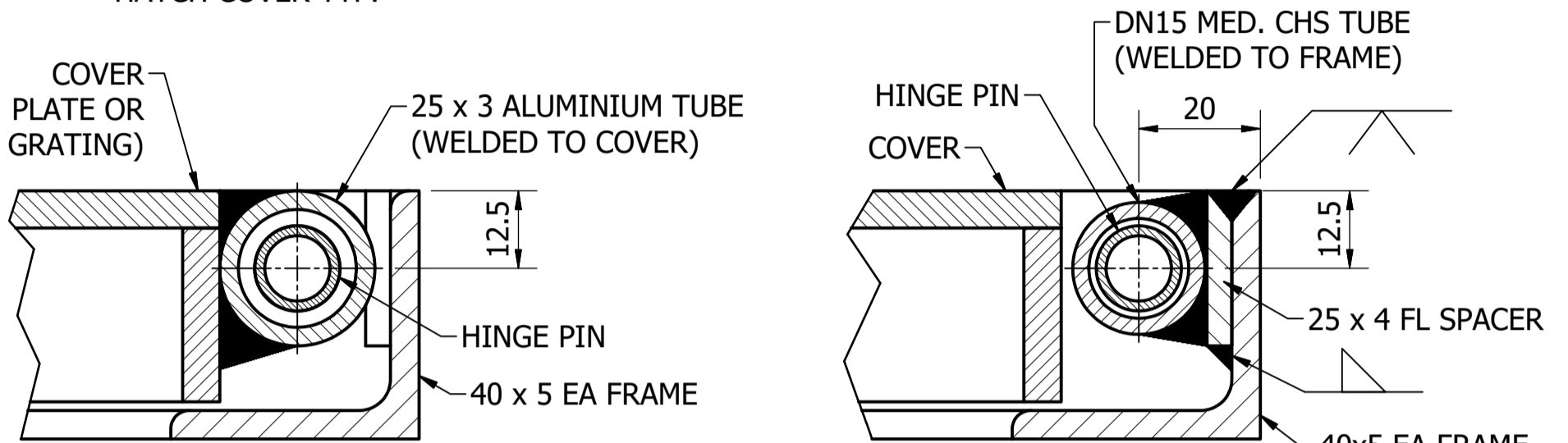
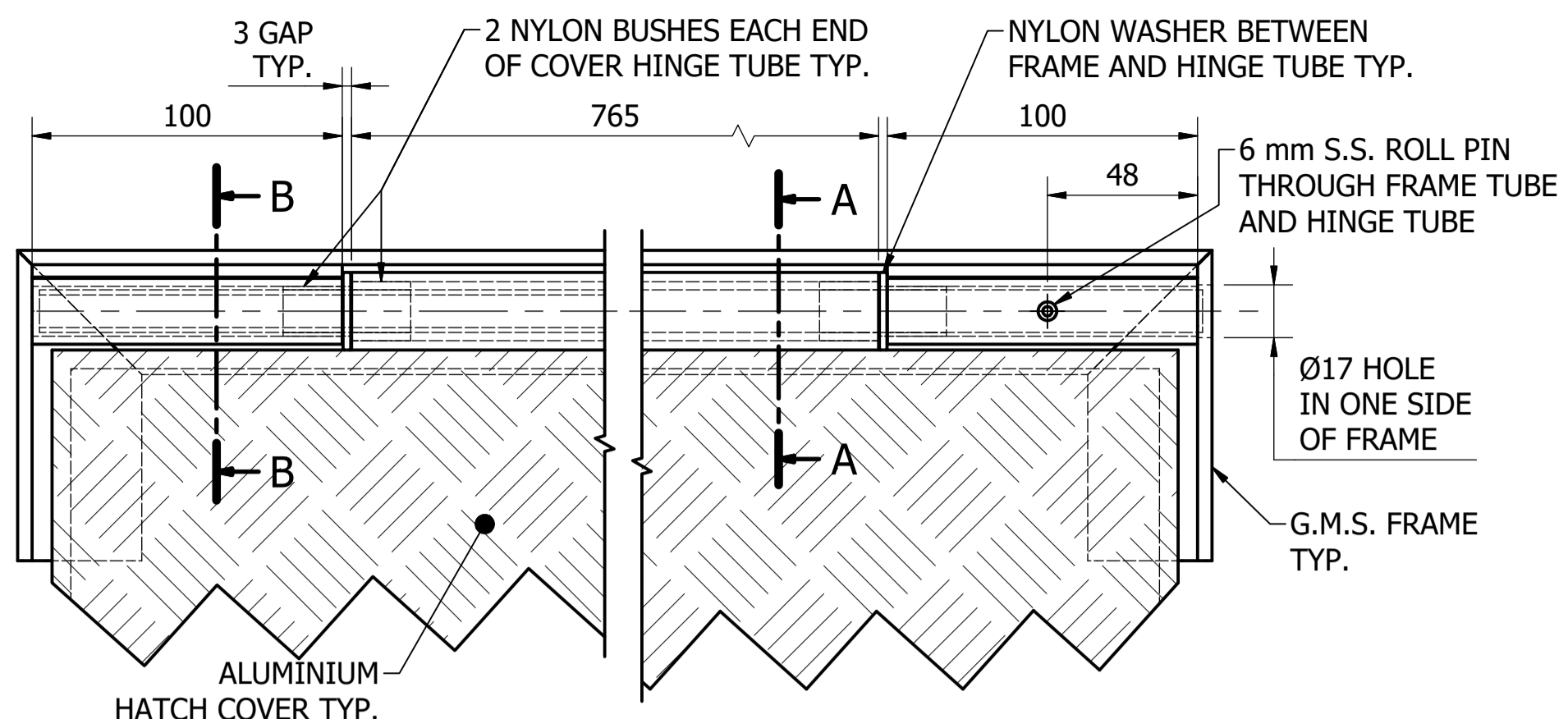
STANDARD DRAWING
ACCESS COVERS - ALUMINIUM, HINGED
HANDLE DETAILS

DRAWING STATUS	
Current	
SD-8251-D	
A1	ISSUE A

ICON WATER ACKNOWLEDGES SYDNEY WATER CORPORATION
IN THE DEVELOPMENT OF PARTS OF THIS DRAWING

ASSET AREA APPLICABILITY

© Icon Water 2017

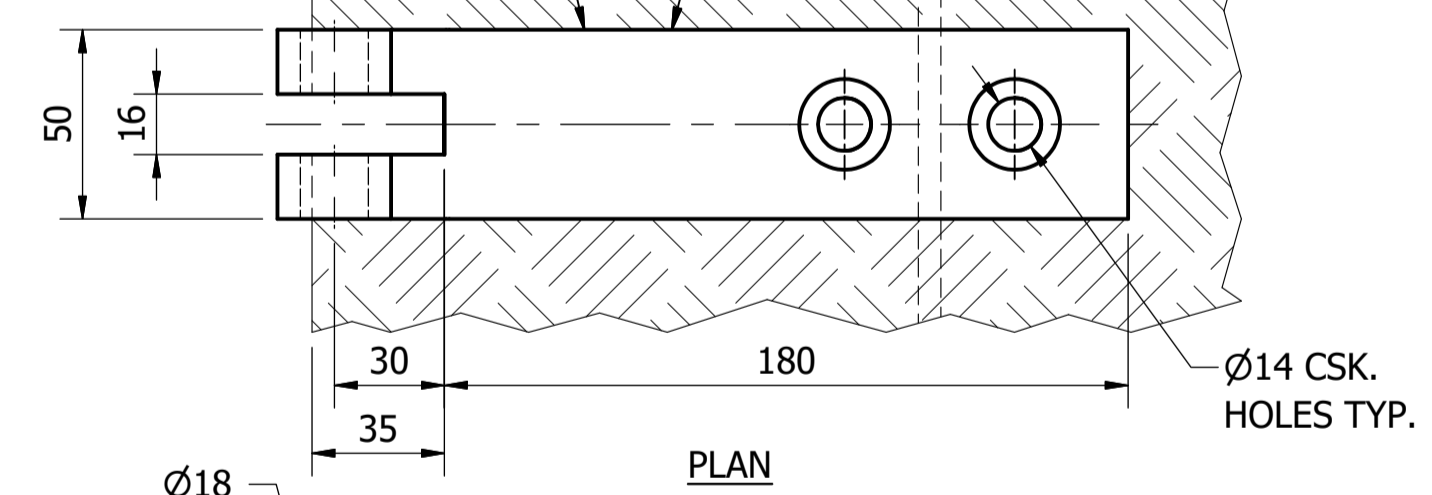


FLUSH FIT HINGE
SCALE: 1:2

MATERIAL: AS SHOWN
COATING: N/A
FINISH COLOUR: N/A
MASS: N/A

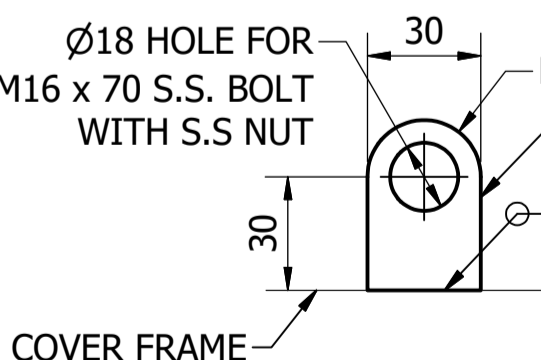
ITEM	AMDT.
PN825301	

50 x 6 FL S.S. GRADE 316L FASTENED TO COVER WITH 2 M12 x 40 LONG CSK. HEAD GRADE 316 BOLTS (NOTE 1)
TREADS UNDER COVER HANDLE TO BE GROUND FLUSH, INSULATION TO BE PROVIDED BETWEEN STAINLESS STEEL AND ALUMINIUM (NOTE 2)

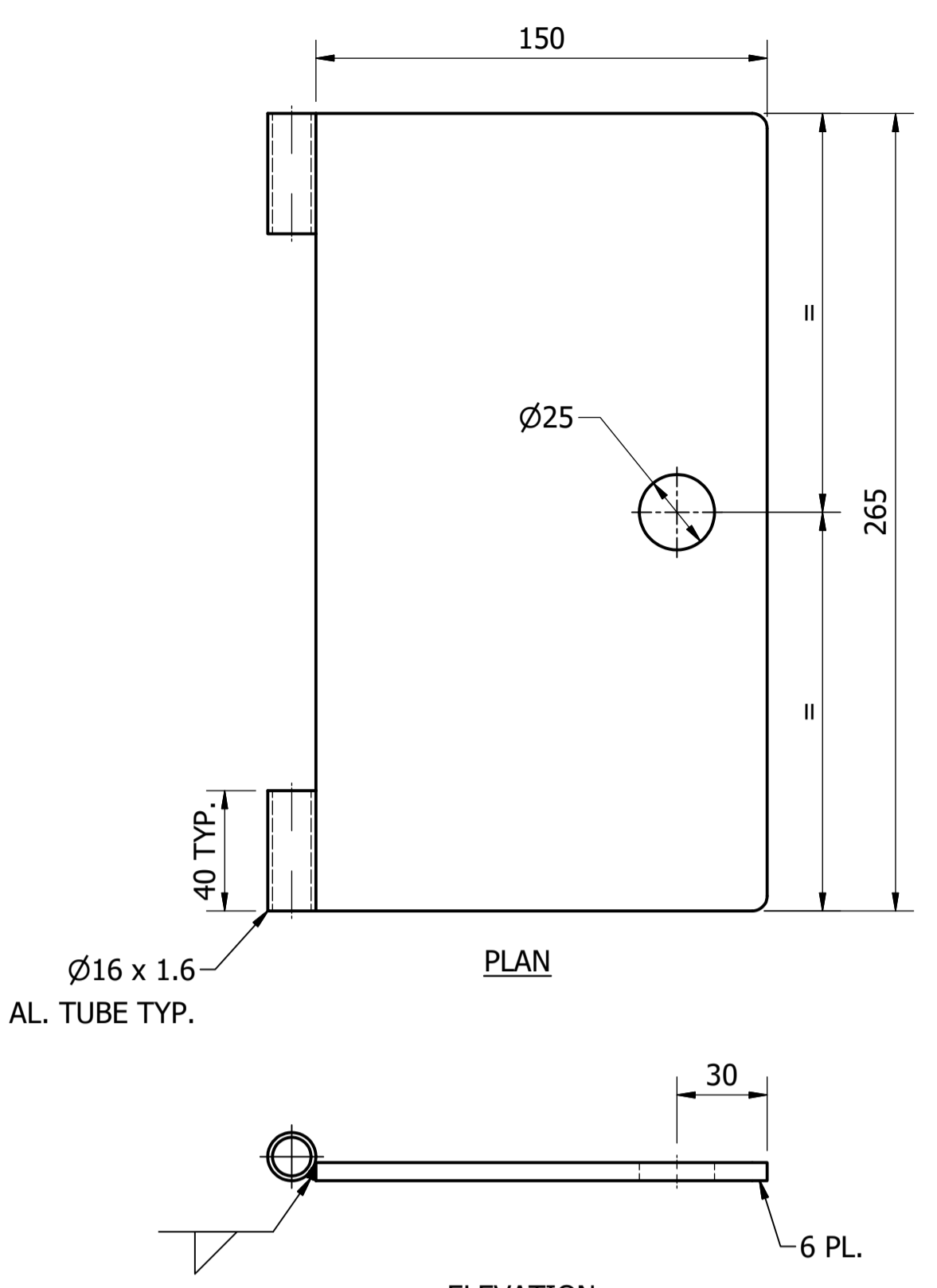


FOLD FLAT HINGE
SCALE: 1:2

MATERIAL: STAINLESS STEEL
COATING: N/A
FINISH COLOUR: N/A
MASS: 1 kg



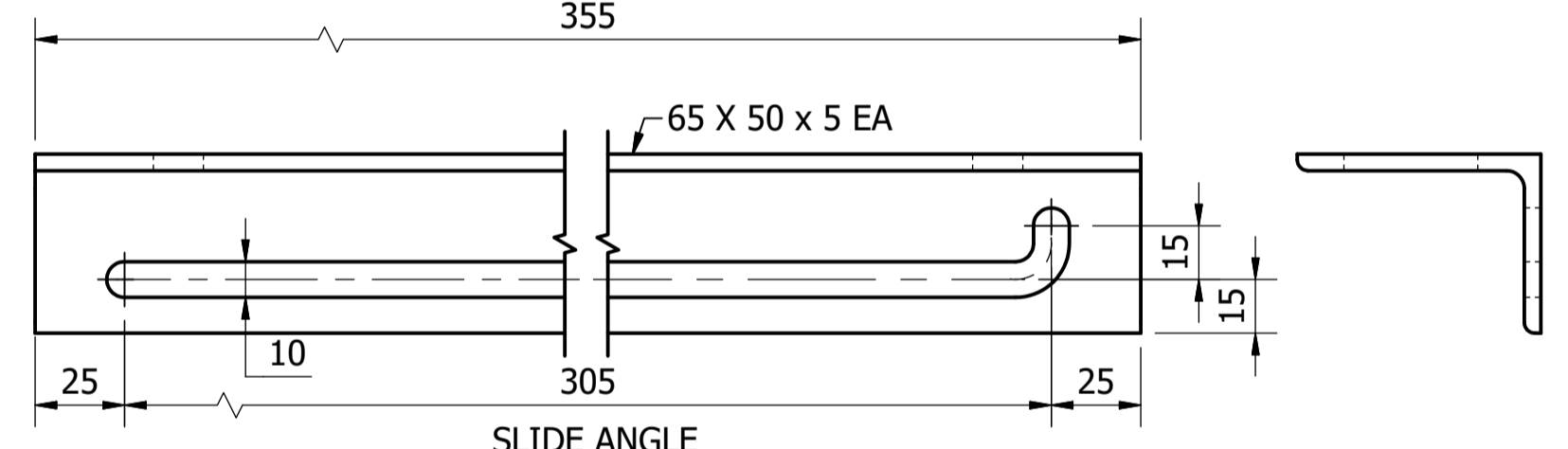
ITEM	AMDT.
PN825304	



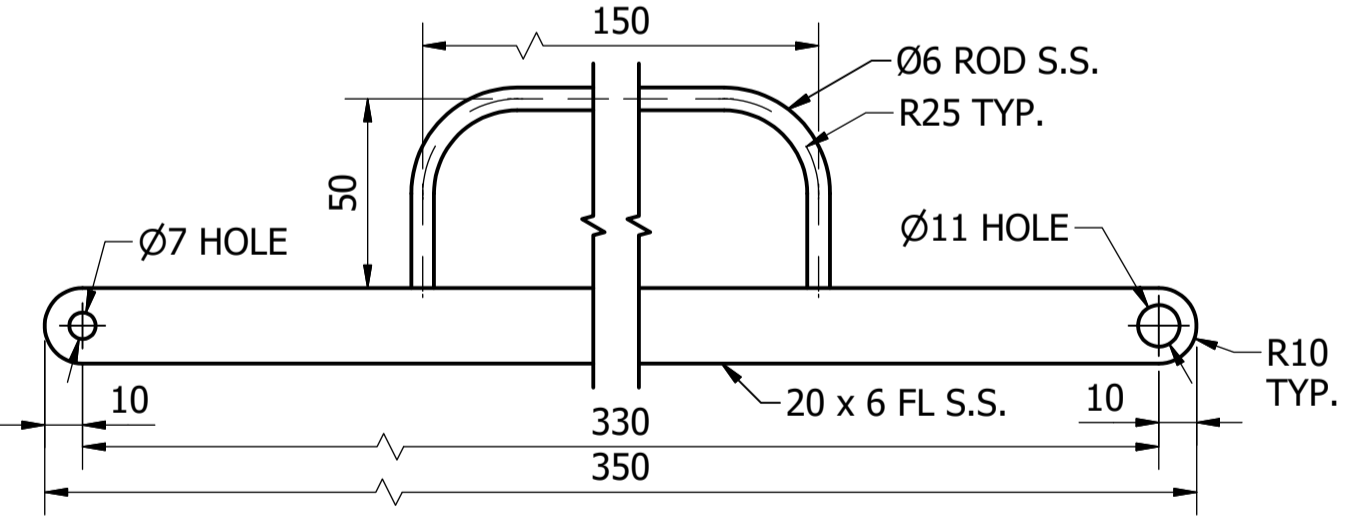
STANCHION ACCESS HATCH
SCALE: 1:2

MATERIAL: ALUMINIUM
COATING: N/A
FINISH COLOUR: N/A
MASS: 1 kg

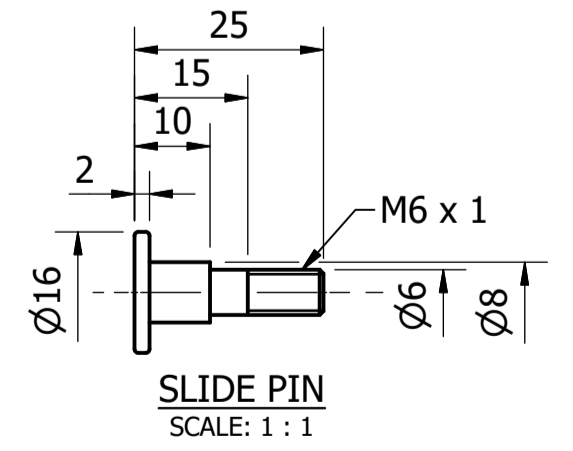
ITEM	AMDT.
PN825302	



SLIDE ANGLE
SCALE: 1:2



BRACE
SCALE: 1:2



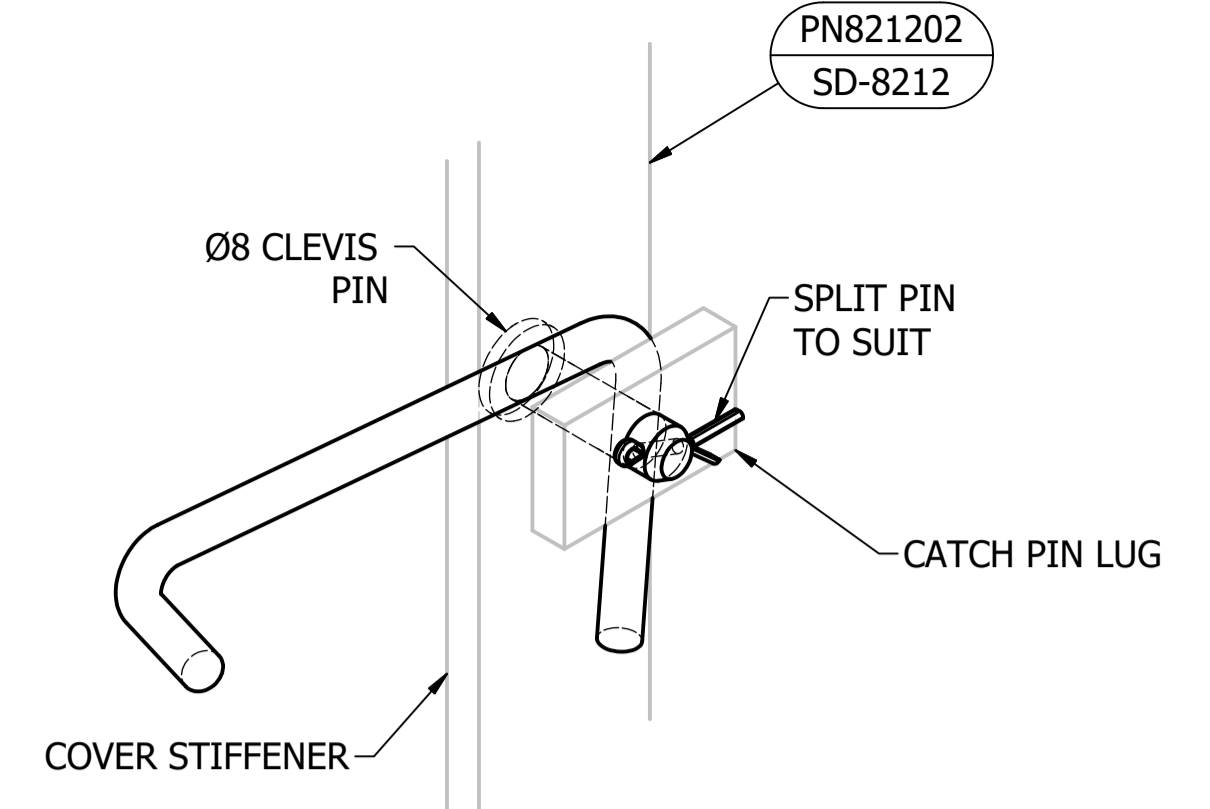
SLIDE PIN
SCALE: 1:1

HATCH STAY

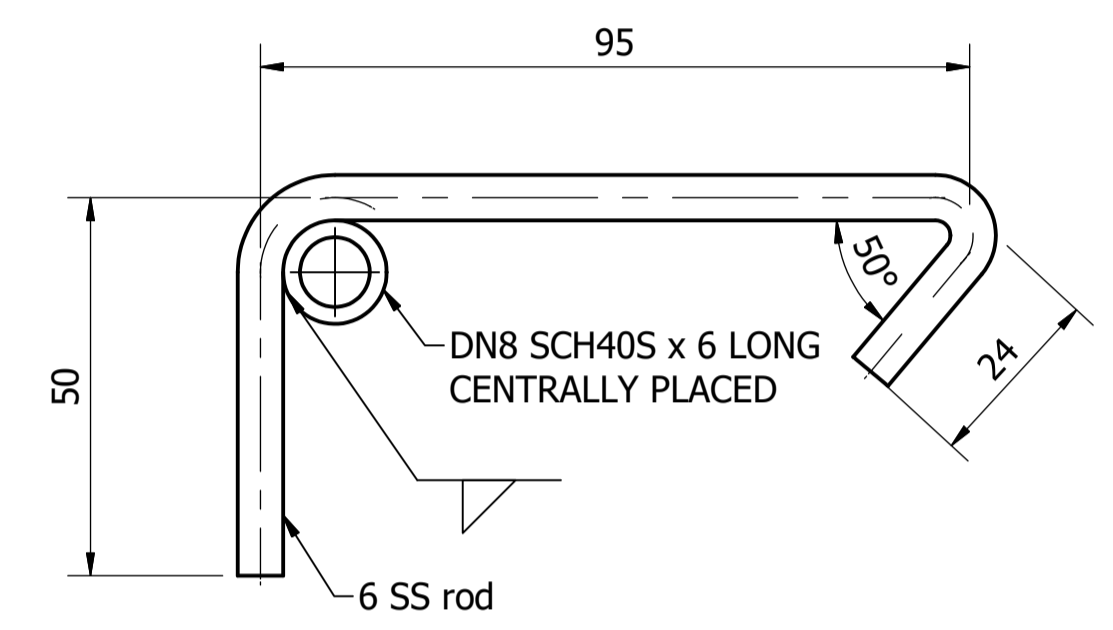
MATERIAL: STAINLESS STEEL
COATING: N/A
FINISH COLOUR: N/A
MASS: 2 kg APPROX.

ITEM	AMDT.
PN825305	

NOTES:
1. HOLE PATTERN TO AVOID GRATING



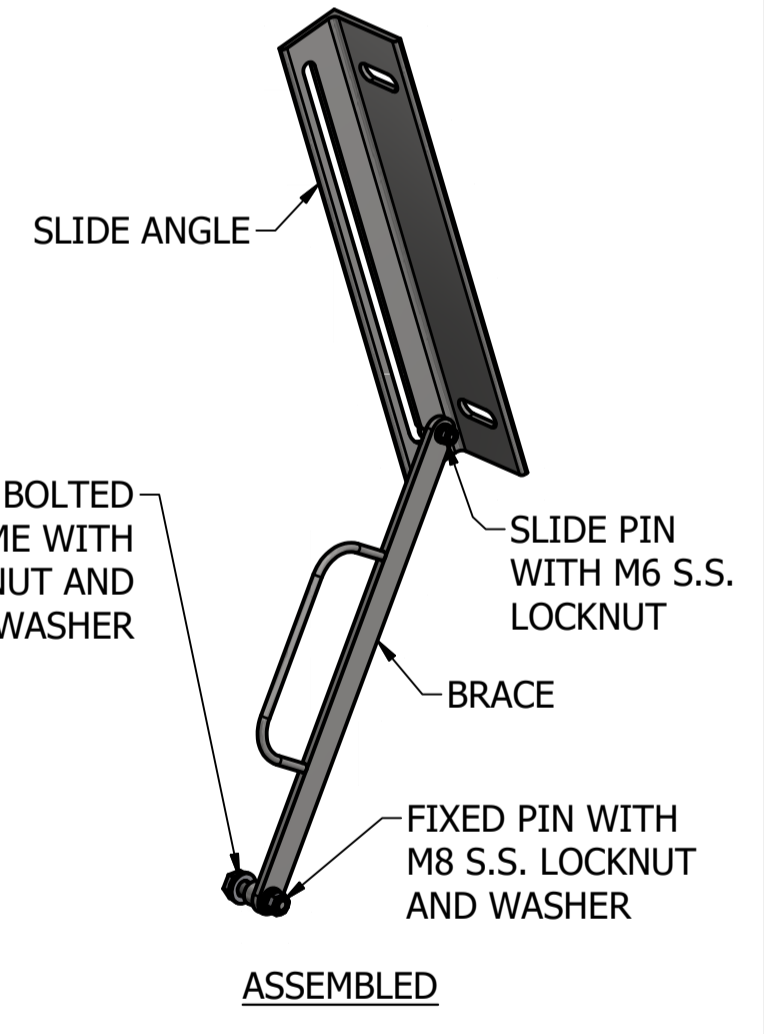
INSTALLATION DETAILS
SCALE: N.T.S



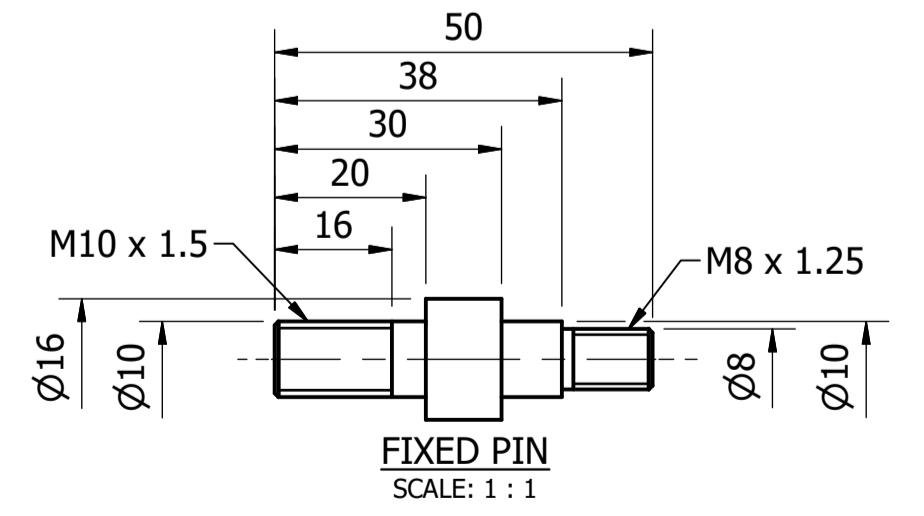
CATCH PIN

SCALE: 1:1
MATERIAL: STAINLESS STEEL
COATING: N/A
FINISH COLOUR: N/A
MASS: <1 kg

ITEM	AMDT.
PN825303	



ASSEMBLED



FIXED PIN
SCALE: 1:1

NOTES

1. STAINLESS STEEL TO ALUMINIUM CONNECTIONS TO BE INSULATED WITH "DENSO" PRIMER D AND DENSOPOL 60 TAPE OR APPROVED EQUIVALENT.
2. ALL STAINLESS STEEL FIXTURES INTO ALUMINIUM TO BE SEPARATED WITH INSULATING BUSHES AND RETAINING RINGS OR WASHERS.

DAM	RES	SPS
BWS	WAT	STP
WTP	SEW	
WPS	REC	

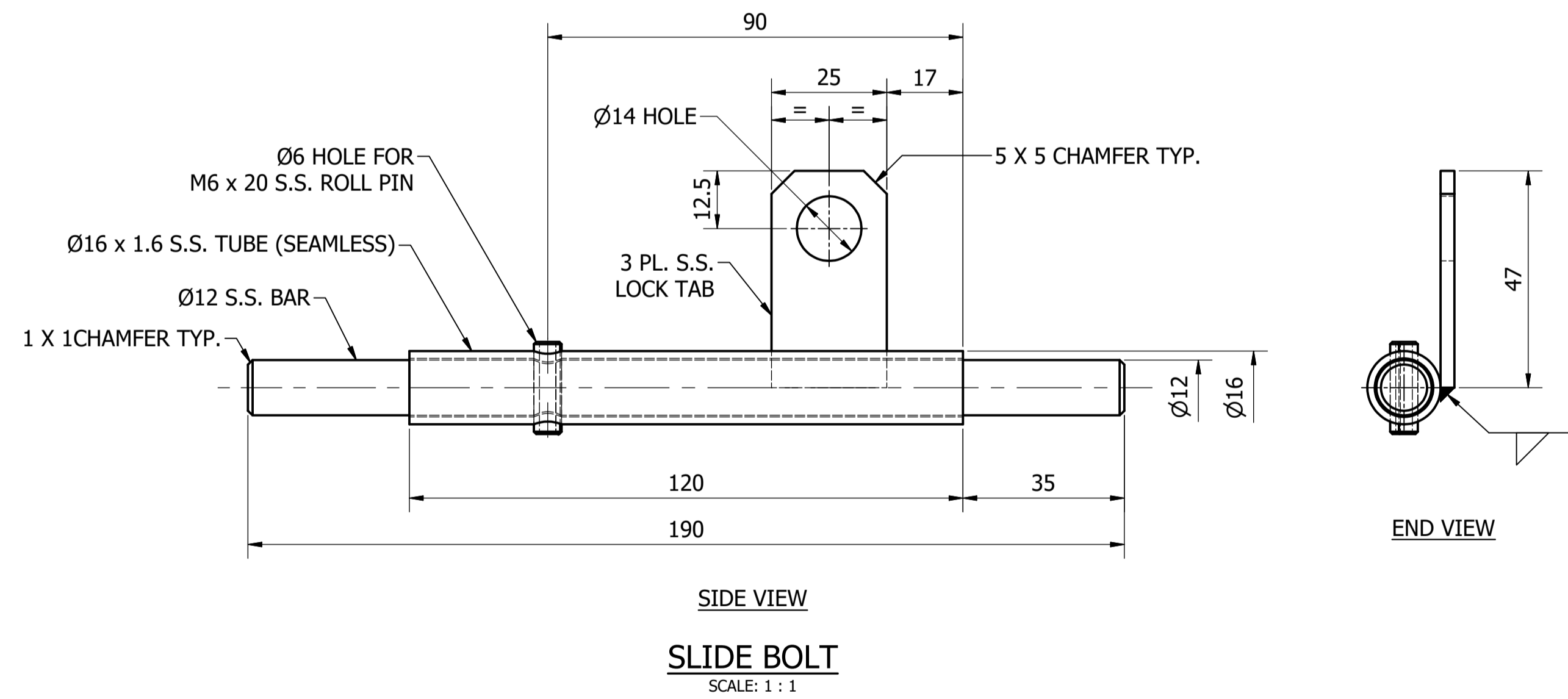
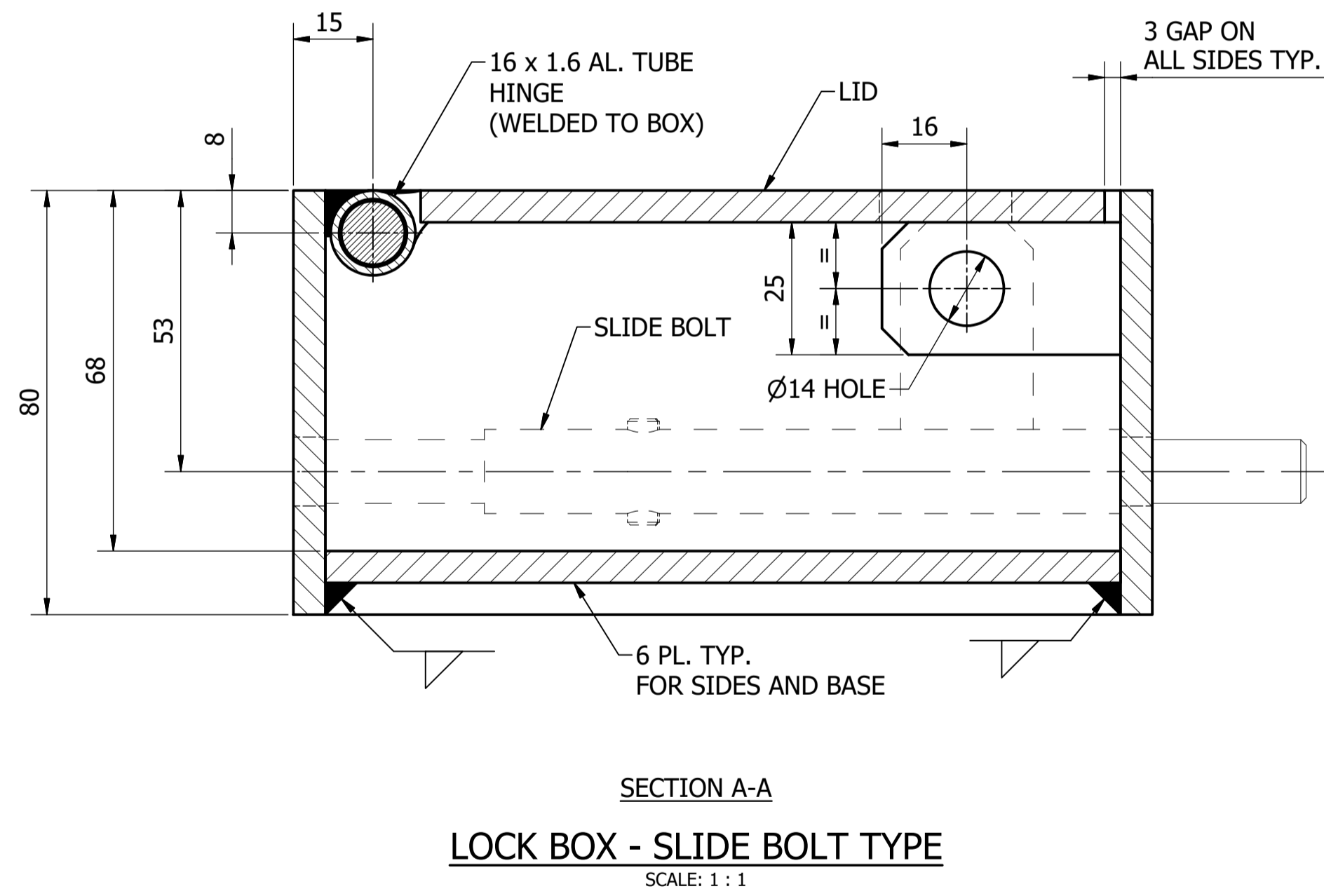
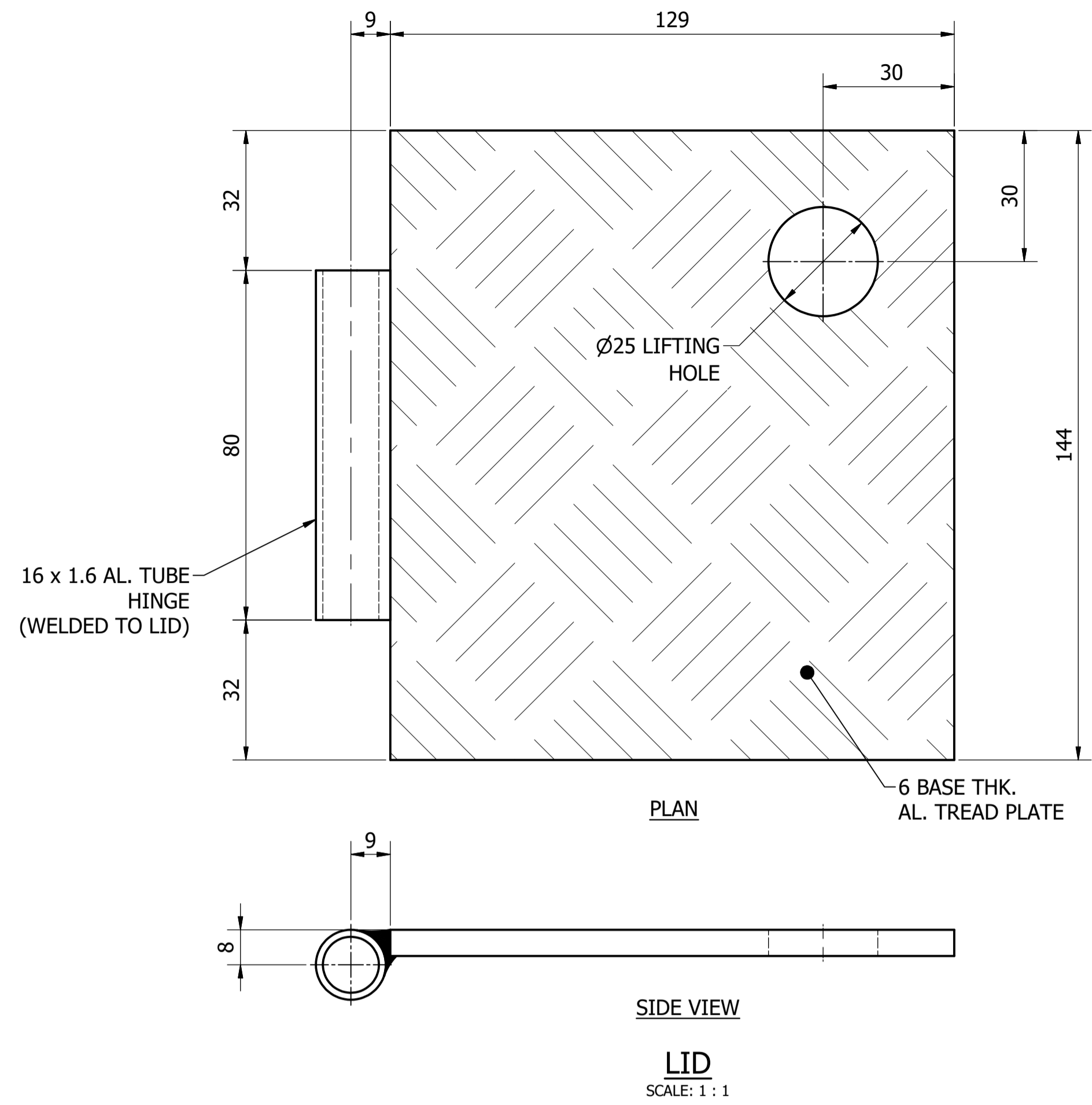
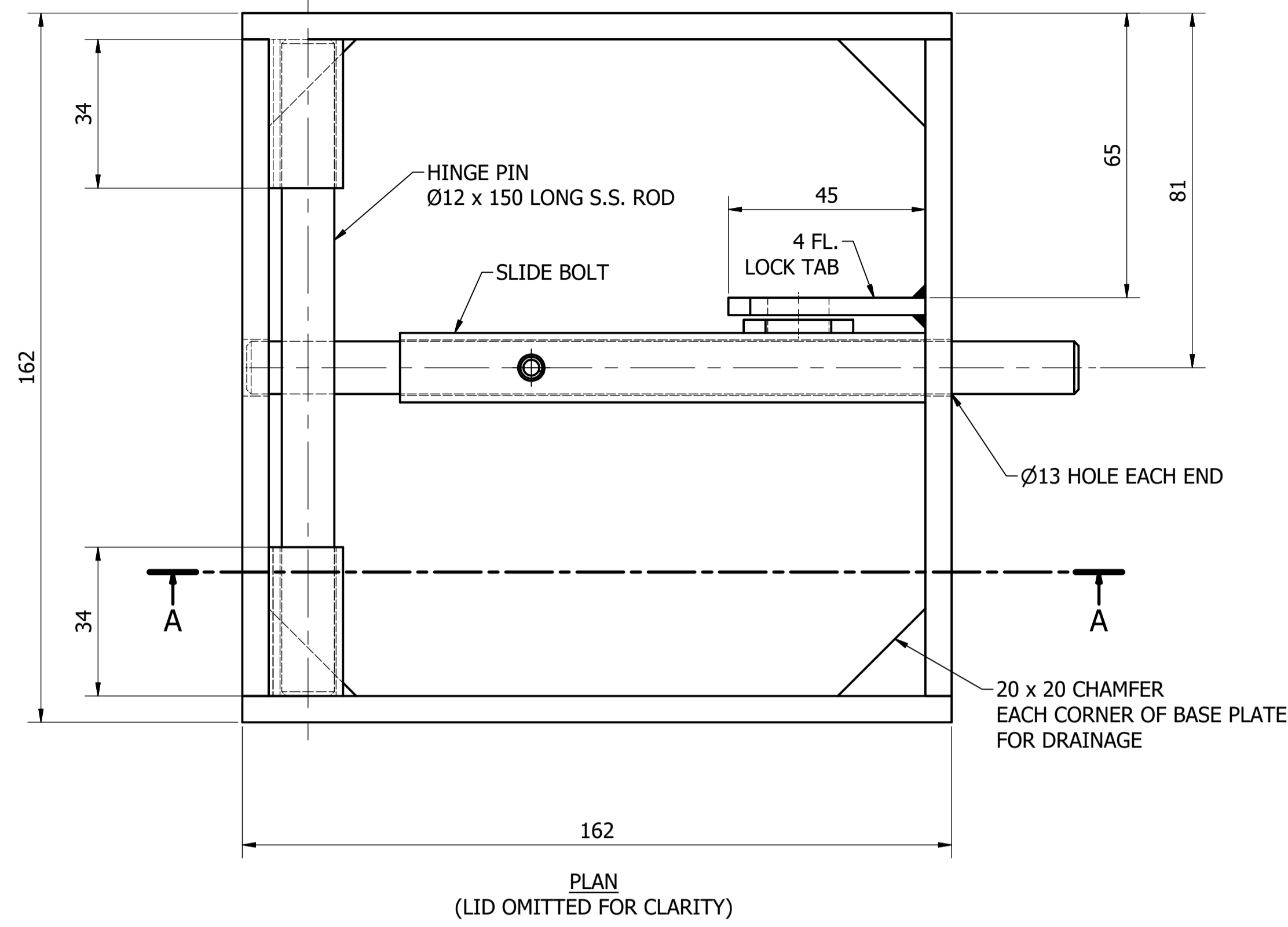


STANDARD DRAWING
ACCESS COVERS - ALUMINIUM, HINGED
HINGE AND STAY DETAILS

DRAWING STATUS	
Current	
SD-8253-D	
A1	ISSUE A

ICON WATER ACKNOWLEDGES SYDNEY WATER CORPORATION IN THE DEVELOPMENT OF PARTS OF THIS DRAWING

No.	ISSUE	DATE	DRAWN	CHECKED	AUTHORISED
A	INITIAL ISSUE	15/06/2018	M. Matusiak	K. Danenbergson	D. Eager



NOTES:

- FOR ALUMINIUM FABRICATION NOTES REFER TO DRAWING SD-9103.
- LID AND HINGE TO BE ASSEMBLED PRIOR TO WELDING TO LOCK BOX.

MATERIAL: ALUMINIUM (U.N.O.)
 COATING: N/A
 FINISH COLOUR: N/A
 MASS: 2 kg

ITEM	AMDT.
PN825501	

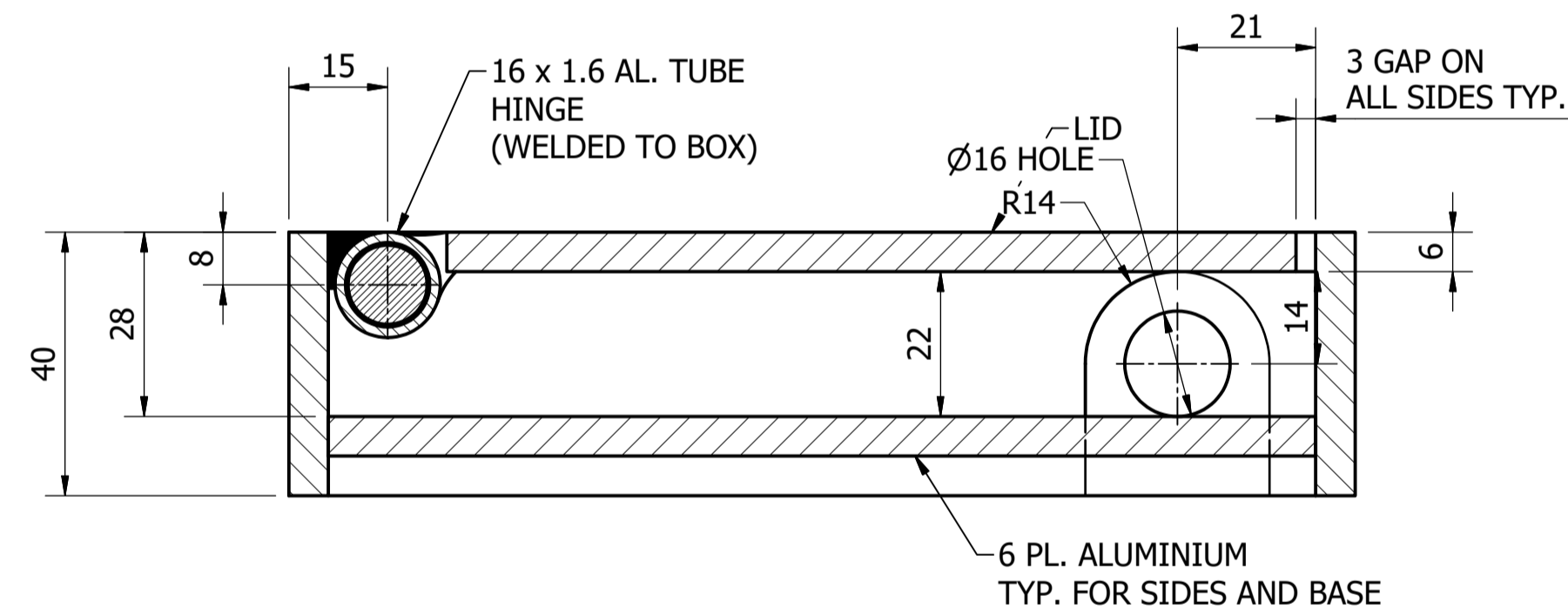
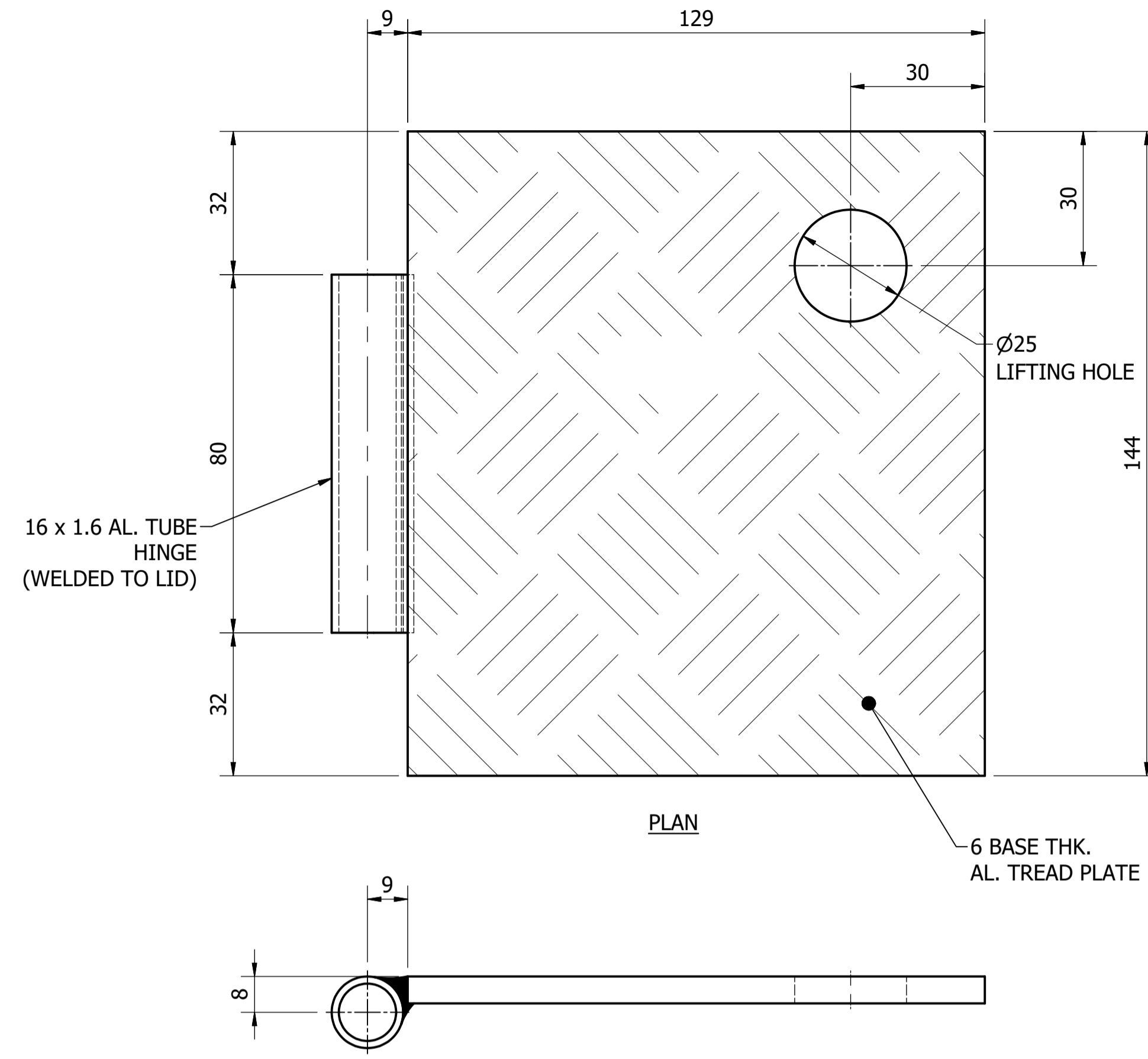
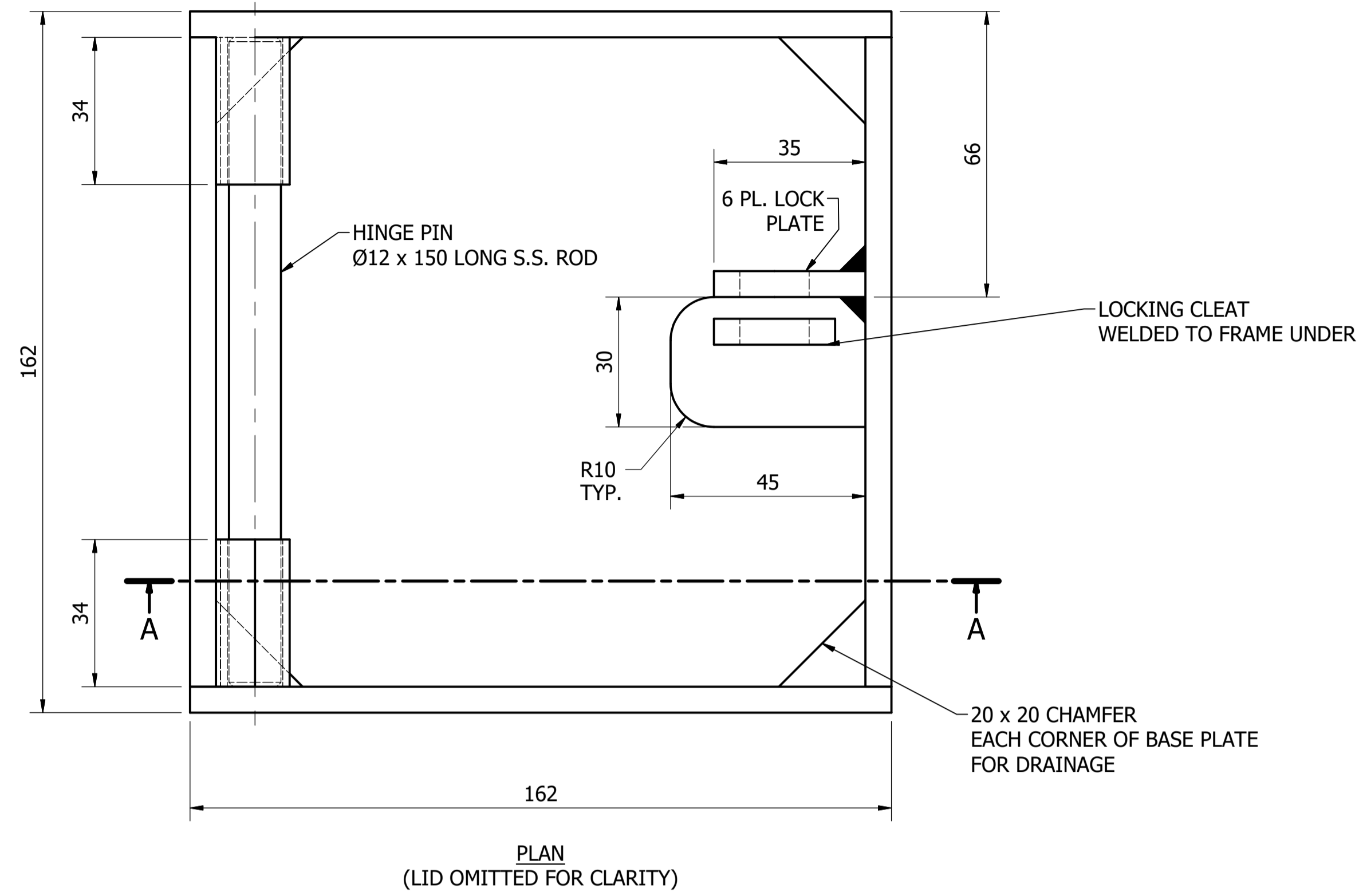
No.	ISSUE	DATE	DRAWN	CHECKED	AUTHORISED
A	INITIAL ISSUE	15/06/2018	M. Matuziak	K. Danenbergs	D. Eager

DAM	RES	SPS
BWS	WAT	STP
WTP	SEW	
WPS	REC	



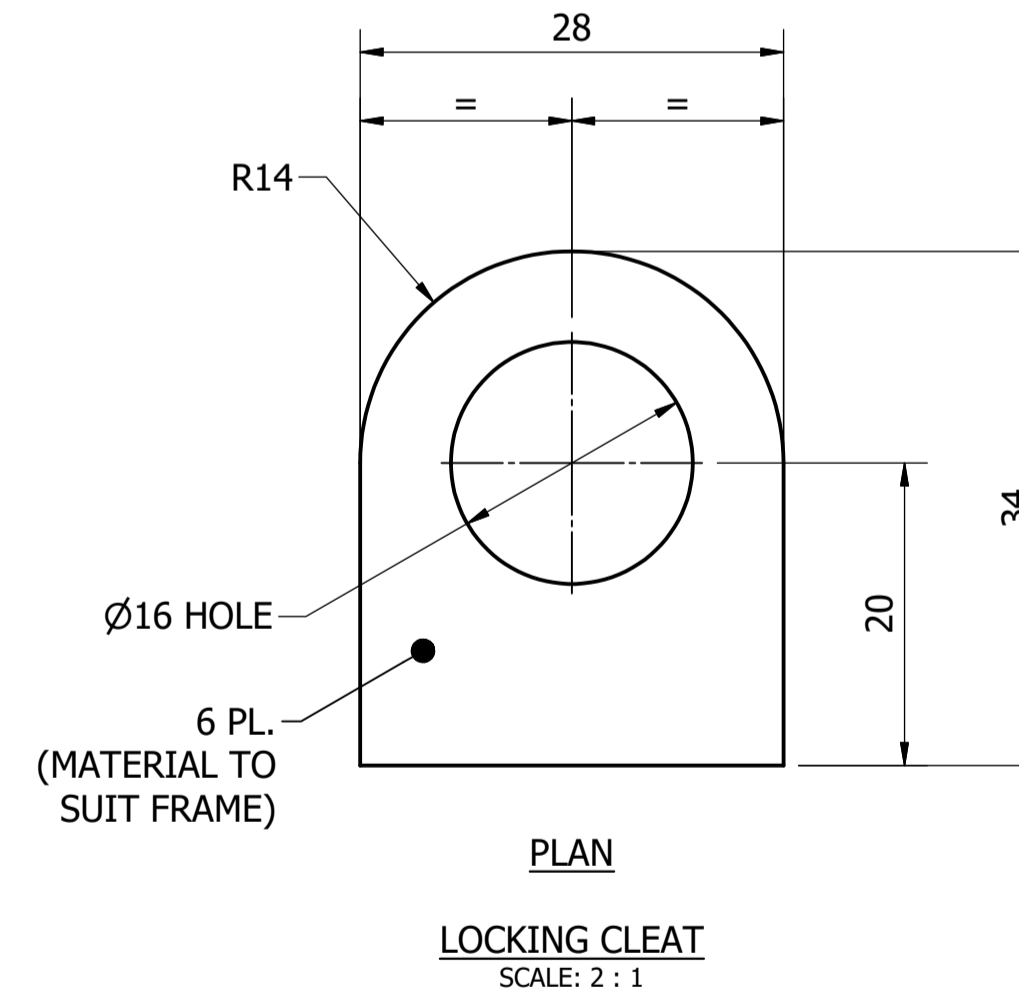
STANDARD DRAWING
 ACCESS COVERS - ALUMINIUM, HINGED
 LOCK BOX - SLIDE BOLT STYLE
 DETAILS

DRAWING STATUS	
Current	
SD-8255-D	
A1	ISSUE A



LOCK BOX - LOCKING PLATE STYLE
SCALE: 1 : 1

MATERIAL: ALUMINIUM (U.N.O.)
COATING: N/A
FINISH COLOUR: N/A
MASS: 1.5 kg



NOTES:

- FOR ALUMINIUM FABRICATION NOTES REFER TO DRAWING SD-9103.
- LID AND HINGE TO BE ASSEMBLED PRIOR TO WELDING TO LOCK BOX.

ITEM	AMDT.
PN825601	

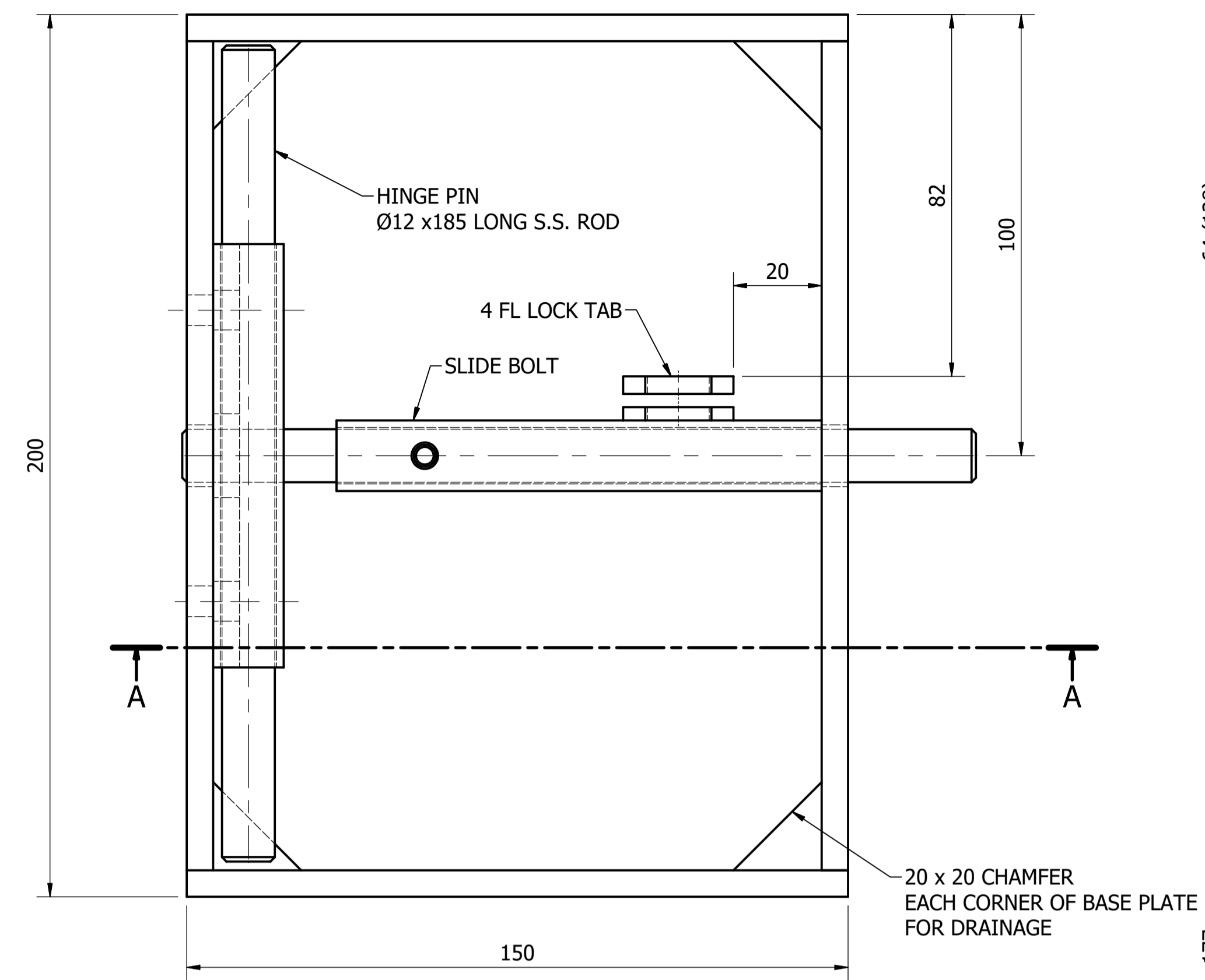
No.	ISSUE	DATE	DRAWN	CHECKED	AUTHORISED
A	INITIAL ISSUE	15/06/2018	M. Matusiak	K. Danenbergsons	D. Eager

DAM	RES	SPS
BWS	WAT	STP
WTP	SEW	
WPS	REC	

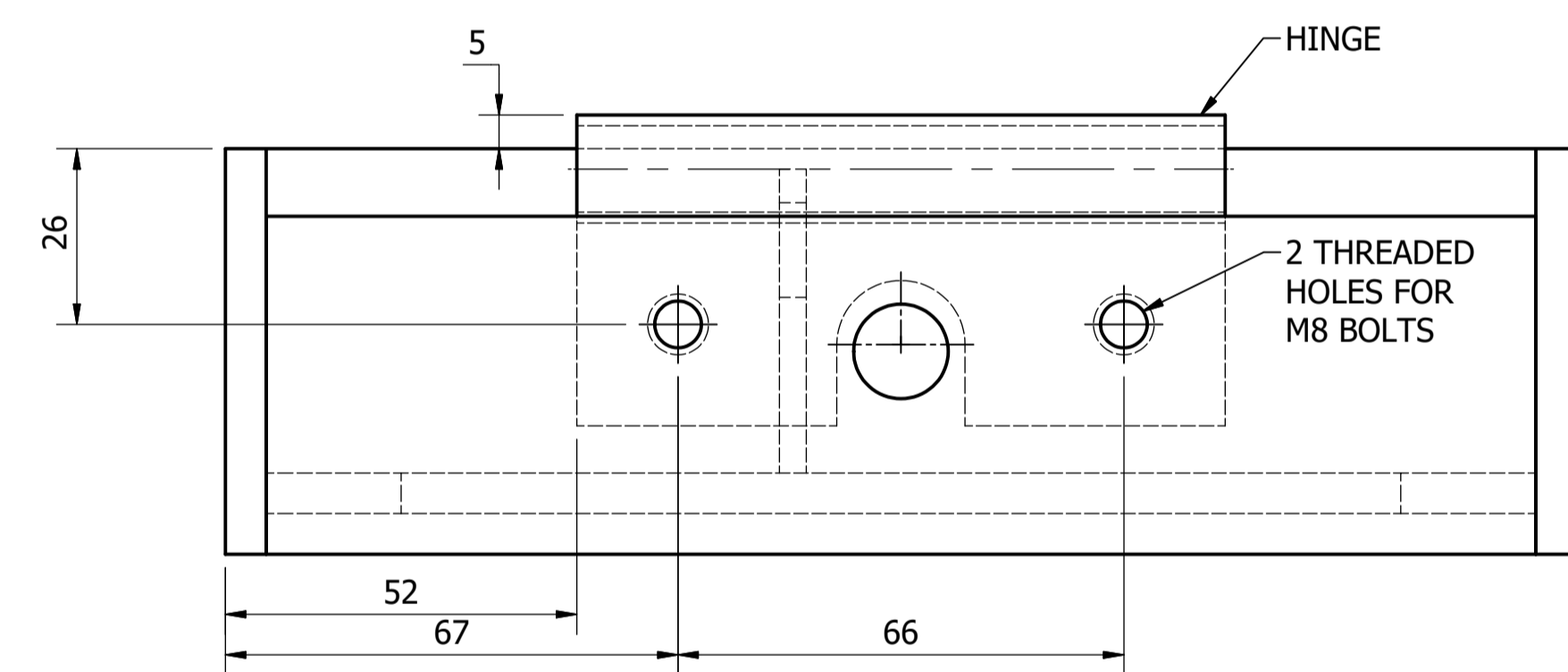


STANDARD DRAWING
ACCESS COVERS - ALUMINIUM, HINGED
LOCK BOX - LOCKING PLATE STYLE
DETAILS

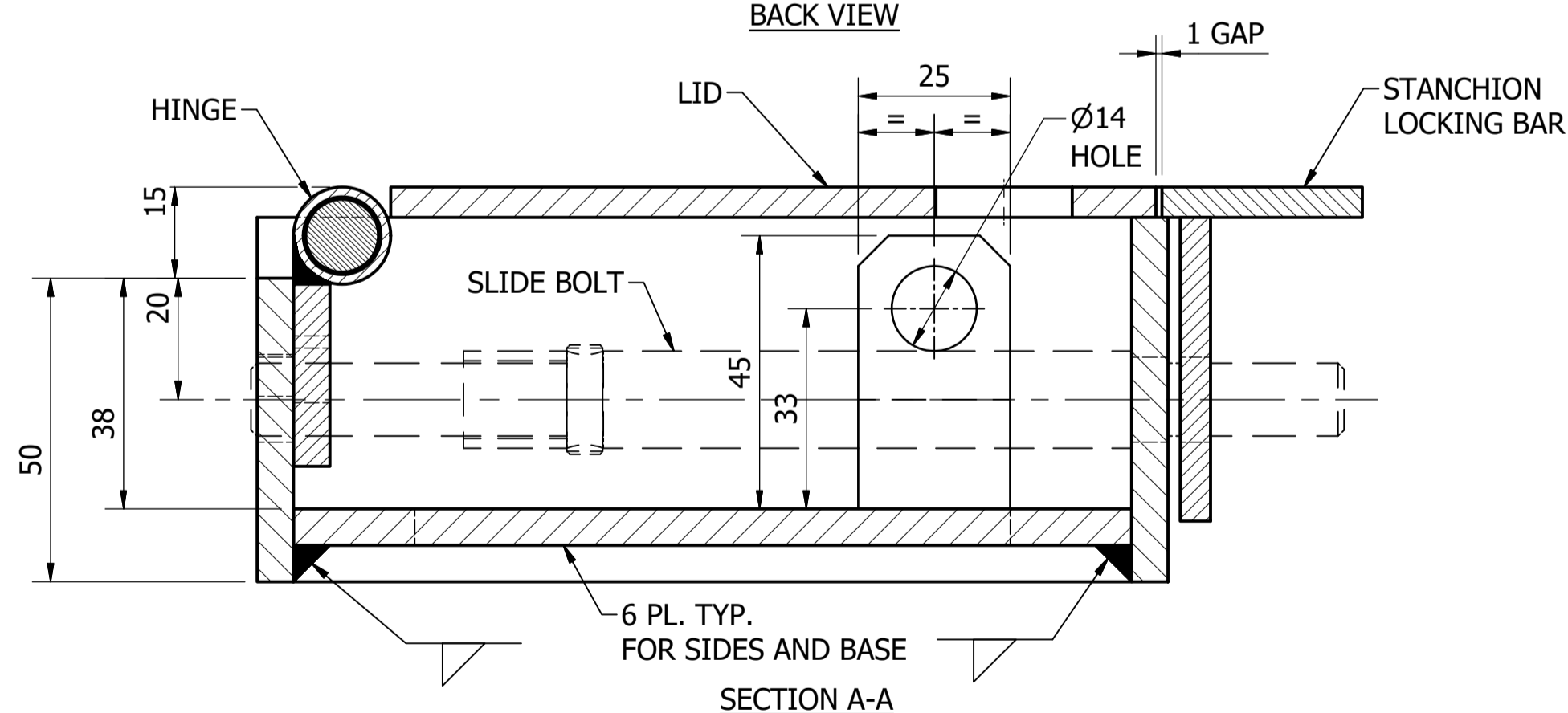
DRAWING STATUS	
Current	
SD-8256-D	
A1	ISSUE A



PLAN
(LOCKING BAR AND LID OMITTED FOR CLARITY)



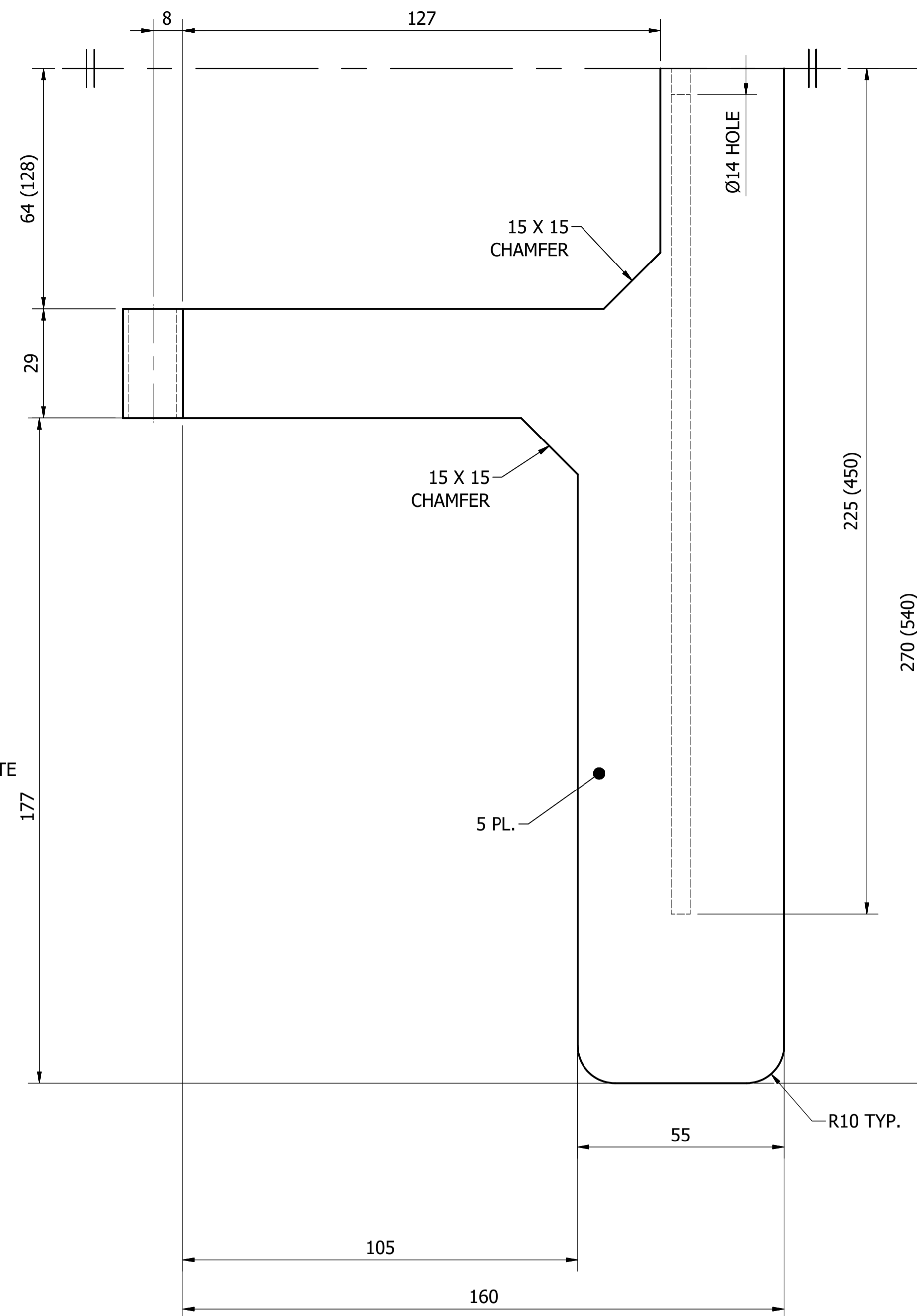
BACK VIEW



LOCK BOX - STANCHION LOCKING BAR TYPE

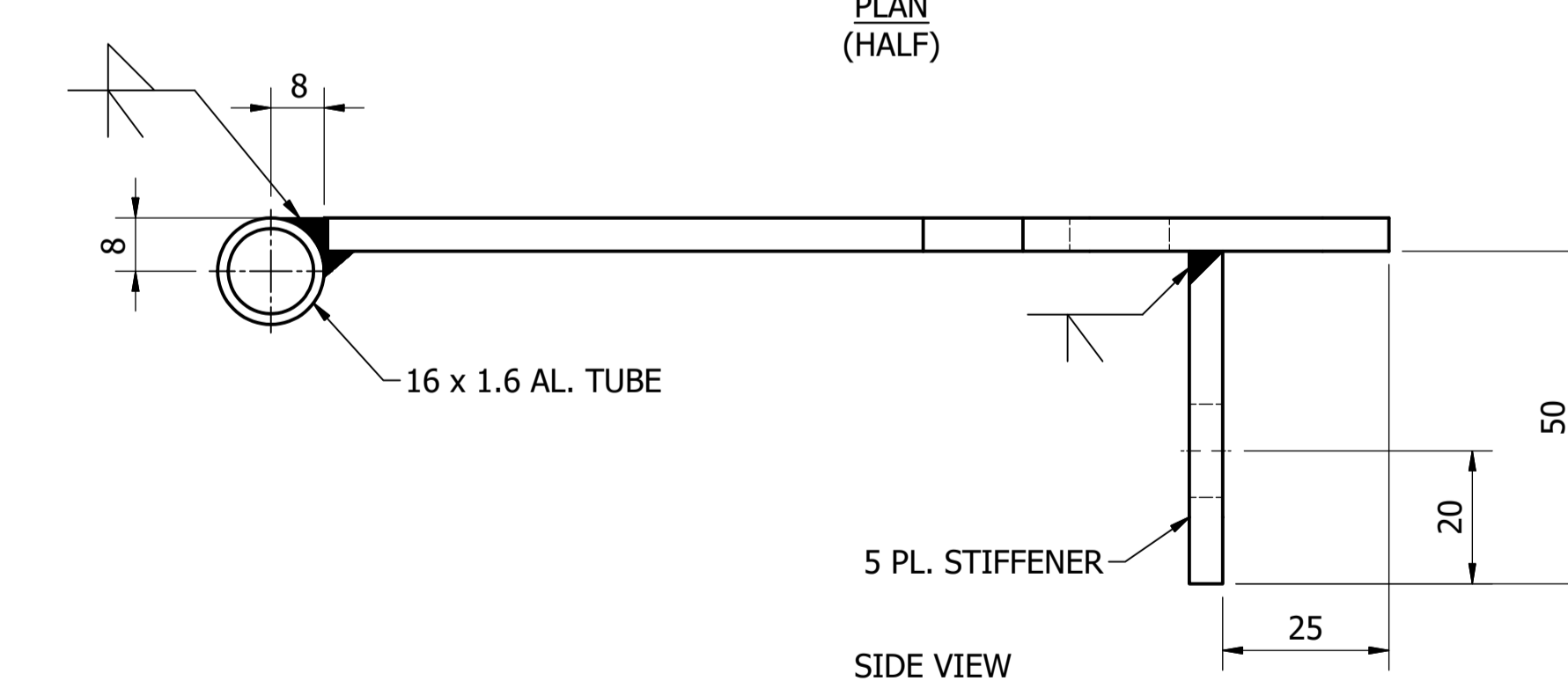
SCALE: 1 : 1

MATERIAL: ALUMINIUM / STAINLESS STEEL
COATING: N/A
FINISH COLOUR: N/A
MASS: 2.5 kg

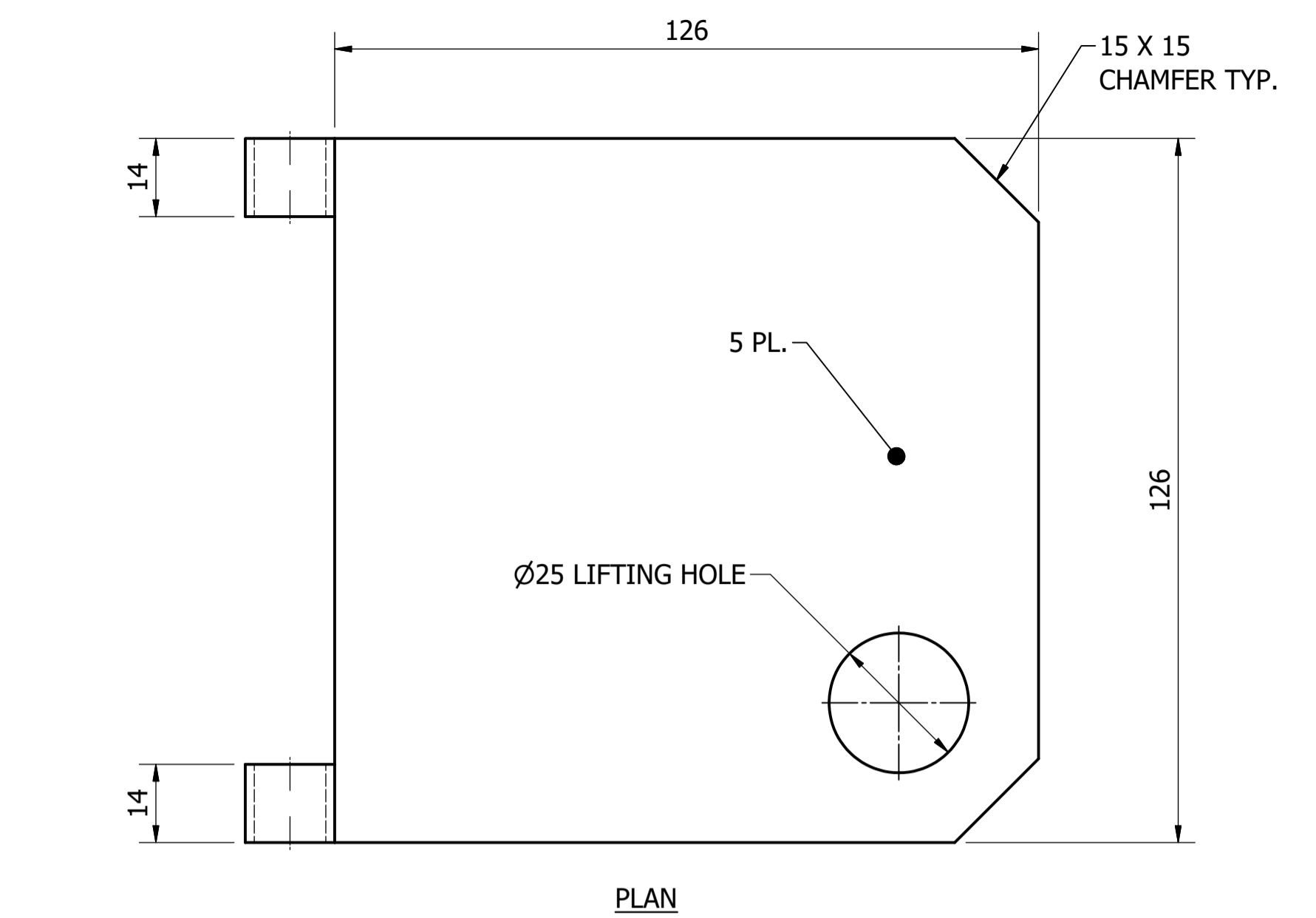


STANCHION LOCKING BAR

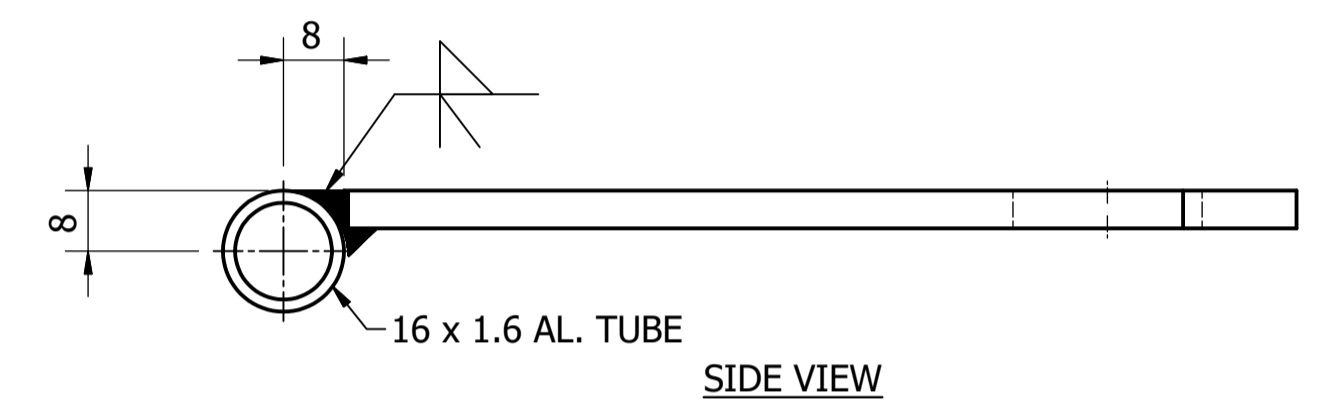
SCALE: 1 : 1



SIDE VIEW



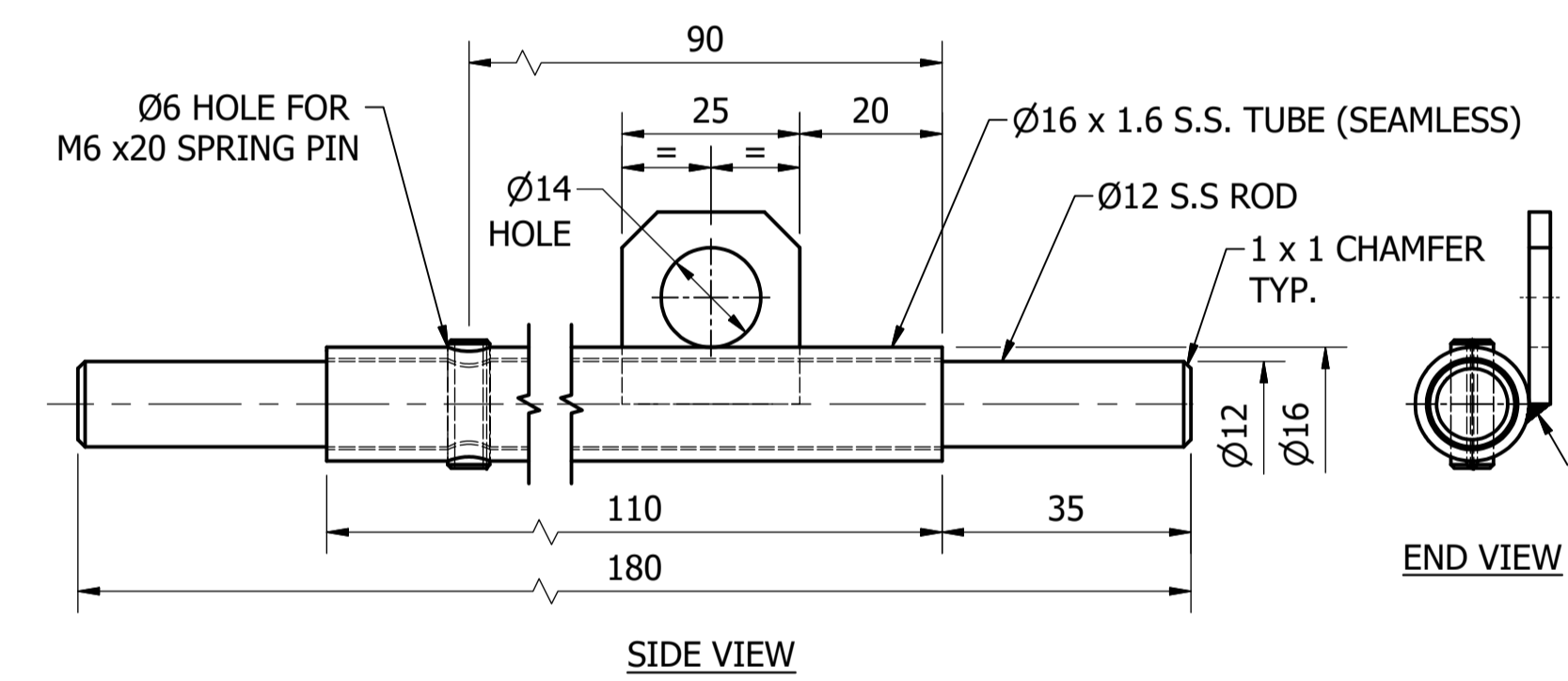
PLAN



SIDE VIEW

LID

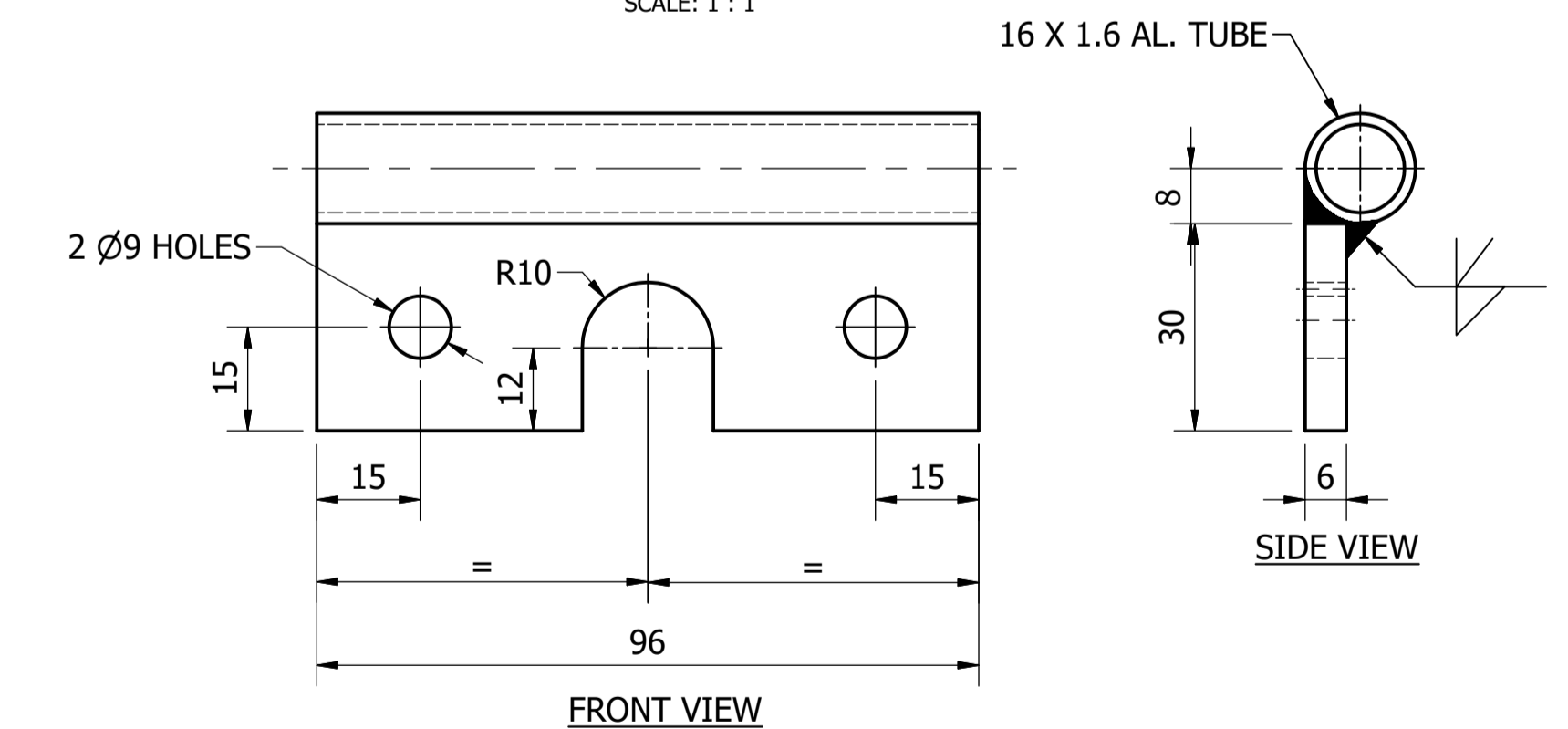
SCALE: 1 : 1



SIDE VIEW

SLIDE BOLT

SCALE: 1 : 1



FRONT VIEW

HINGE

SCALE: 1 : 1

ITEM	AMDT.
PN825701	

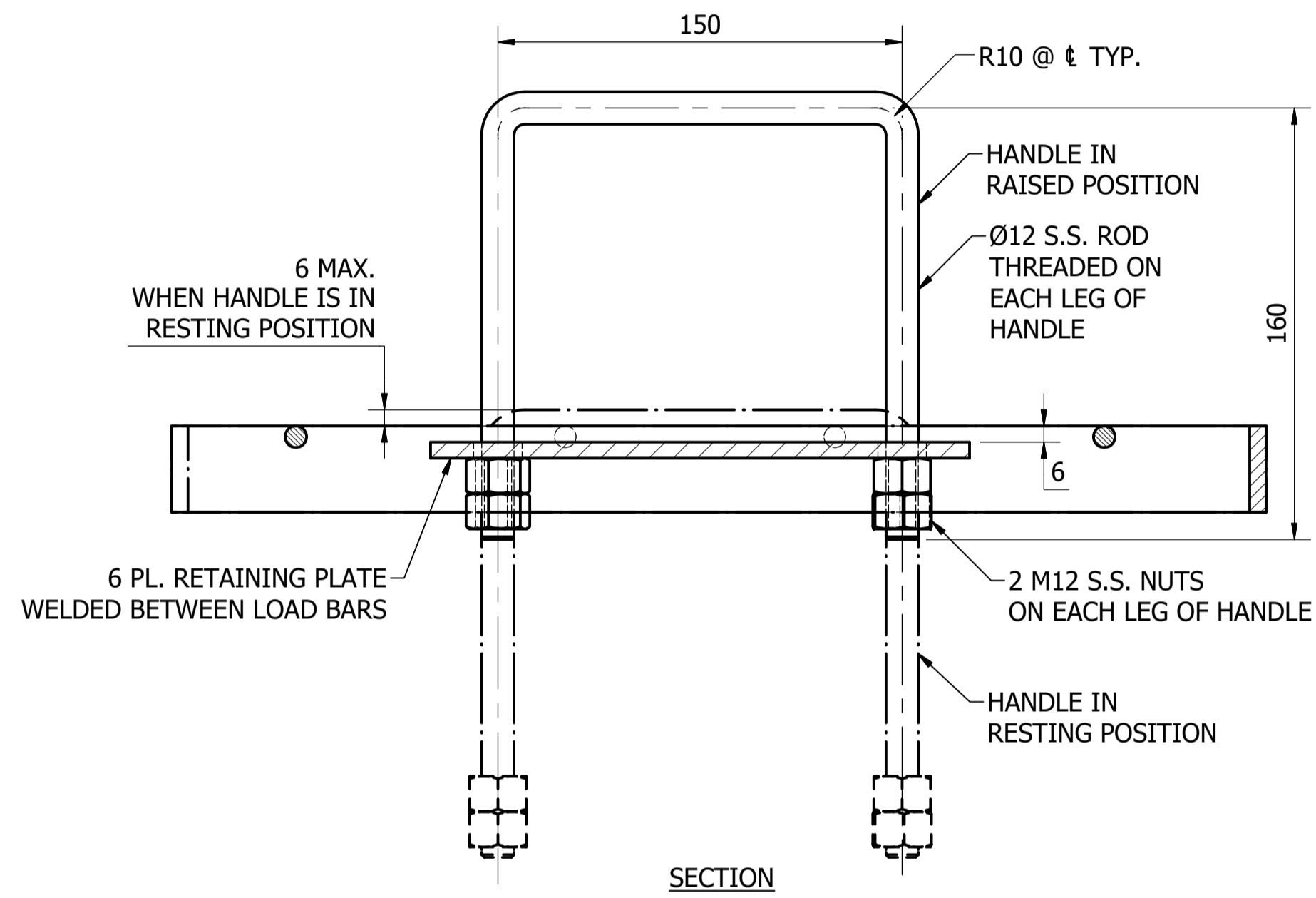
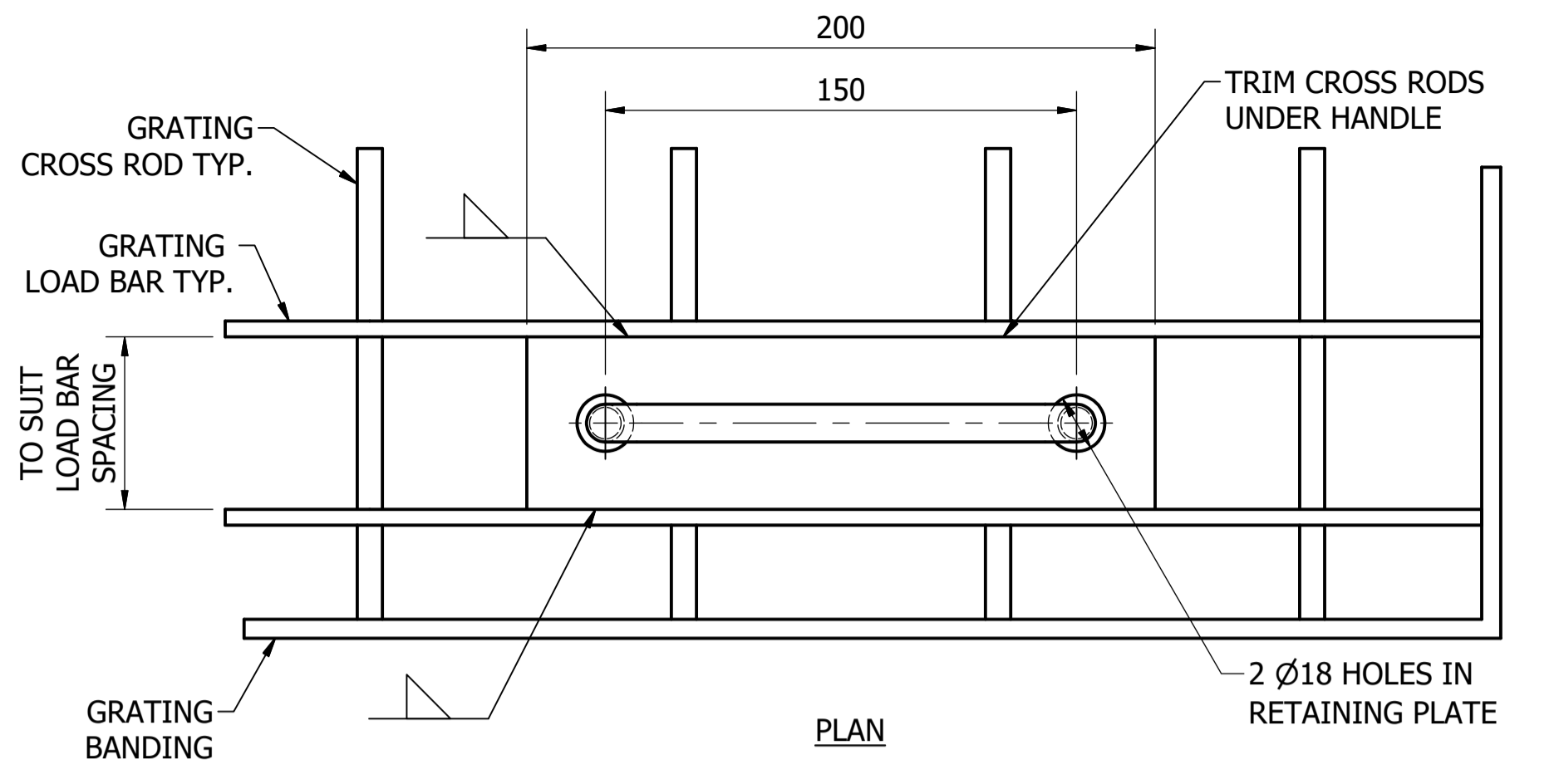
No.	ISSUE	DATE	DRAWN	CHECKED	AUTHORISED
A	INITIAL ISSUE	15/06/2018	M. Matusiak	K. Danenbergsons	D. Eager

DAM	RES	SPS
BWS	WAT	STP
WTP	SEW	
WPS	REC	

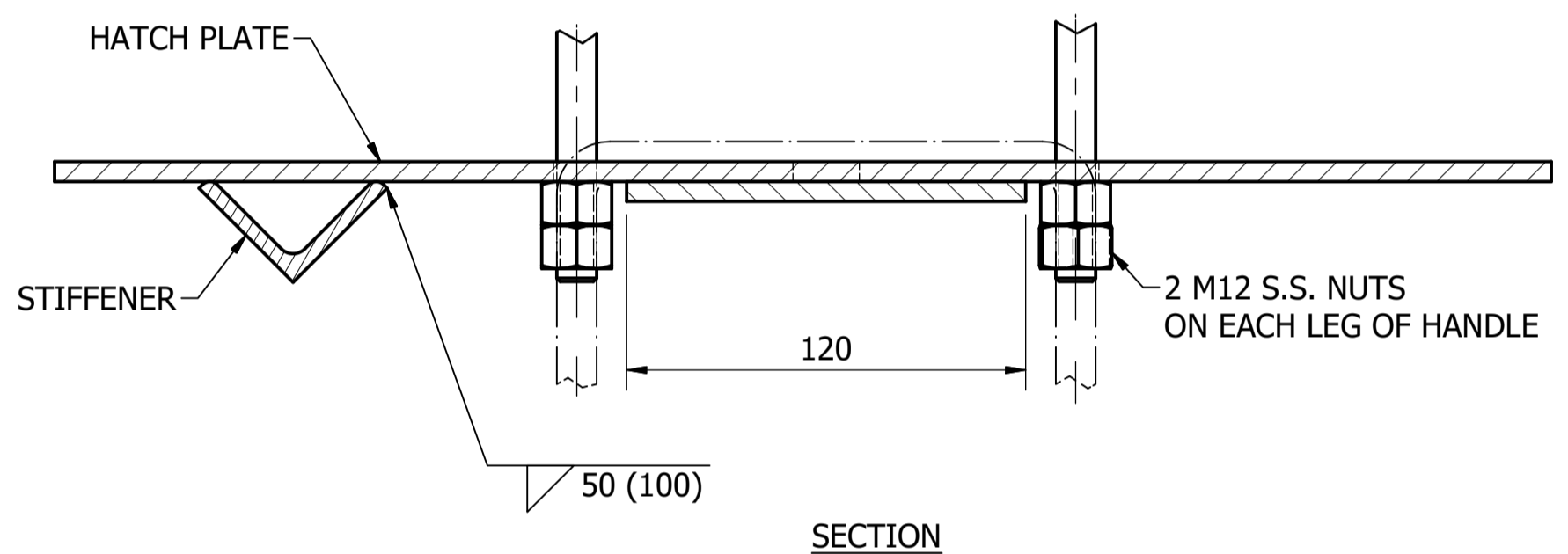
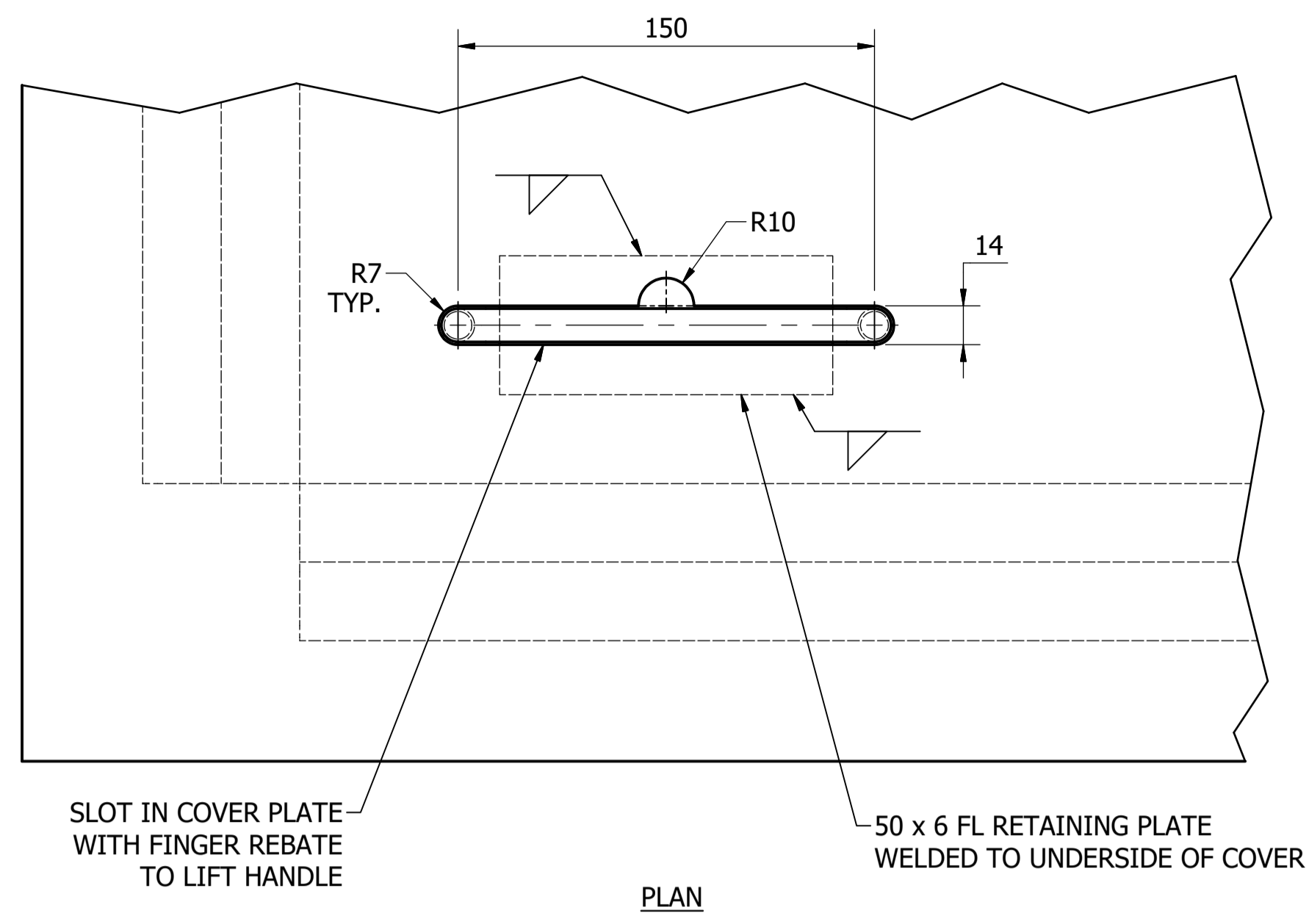


STANDARD DRAWING
ACCESS COVERS - ALUMINIUM, HINGED
LOCK BOX - STANCHION LOCKING BAR TYPE
DETAILS

DRAWING STATUS	Current
SD-8257-D	ISSUE A
A1	© Icon Water 2017



WEBGRATE STYLE HATCH



STIFFENED PLATE STYLE HATCH

RETRACTABLE HANDLE - FLUSH FIT

SCALE: 1 : 2

MATERIAL: STAINLESS STEEL / CARBON STEEL / ALUMINIUM
 COATING: HOT DIP GALVANISED (CARBON STEEL PARTS ONLY)
 FINISH COLOUR: N/A
 MASS: 0.5 kg APPROX. (HANDLE ONLY)

ITEM	AMDT.
PN826101	

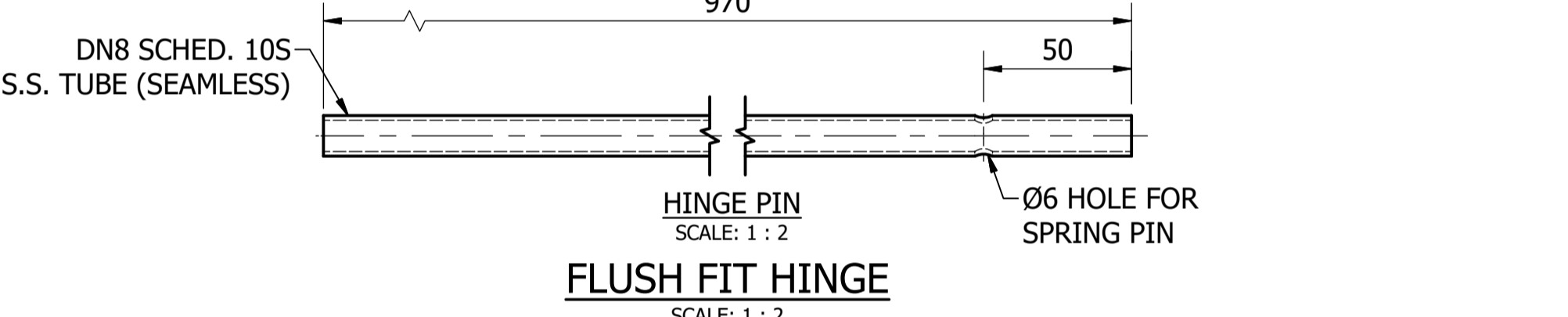
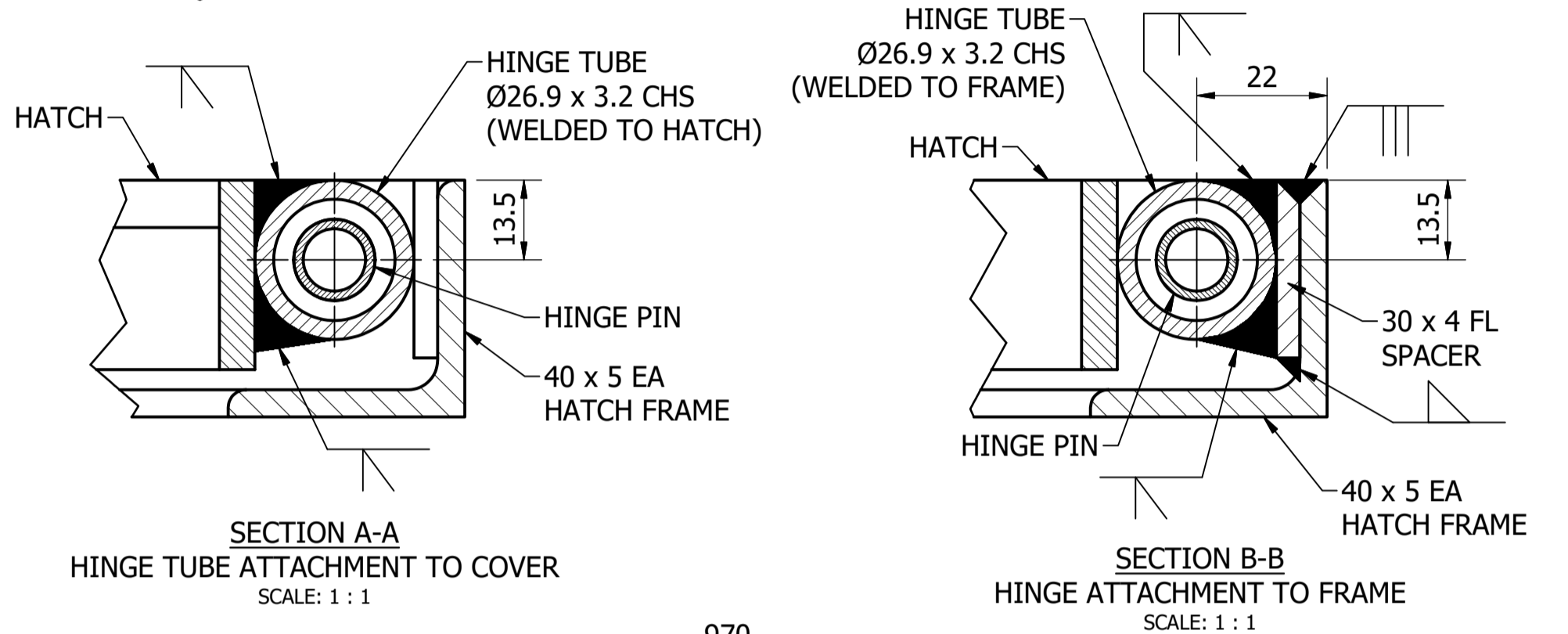
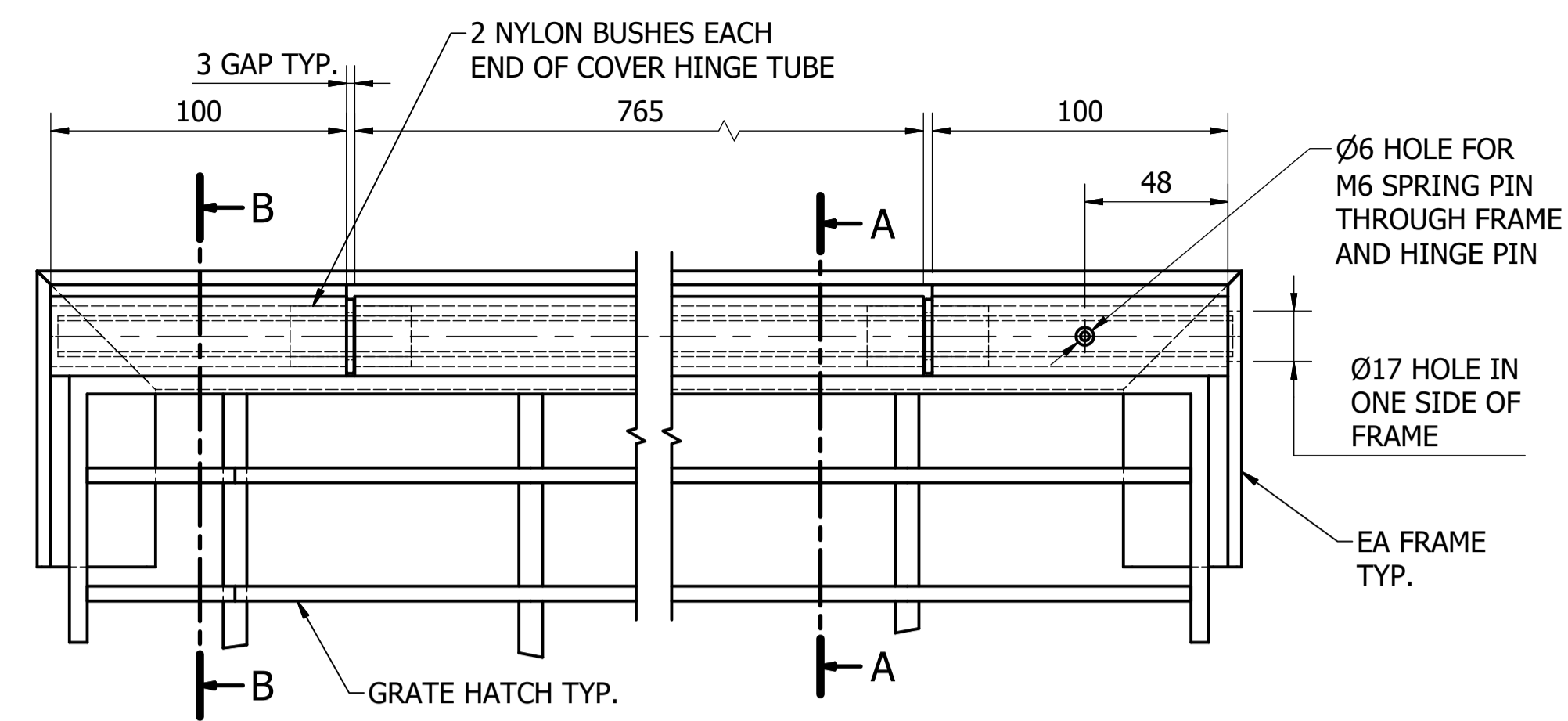
DAM	RES	SPS
BWS	WAT	STP
WTP	SEW	
WPS	REC	



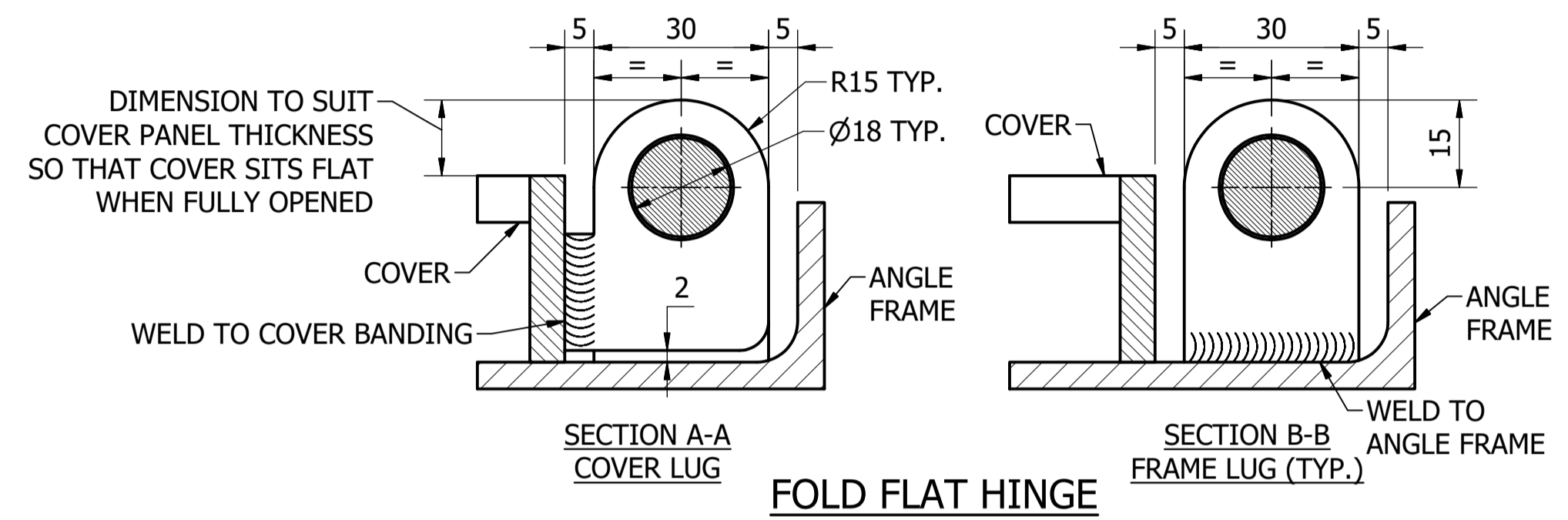
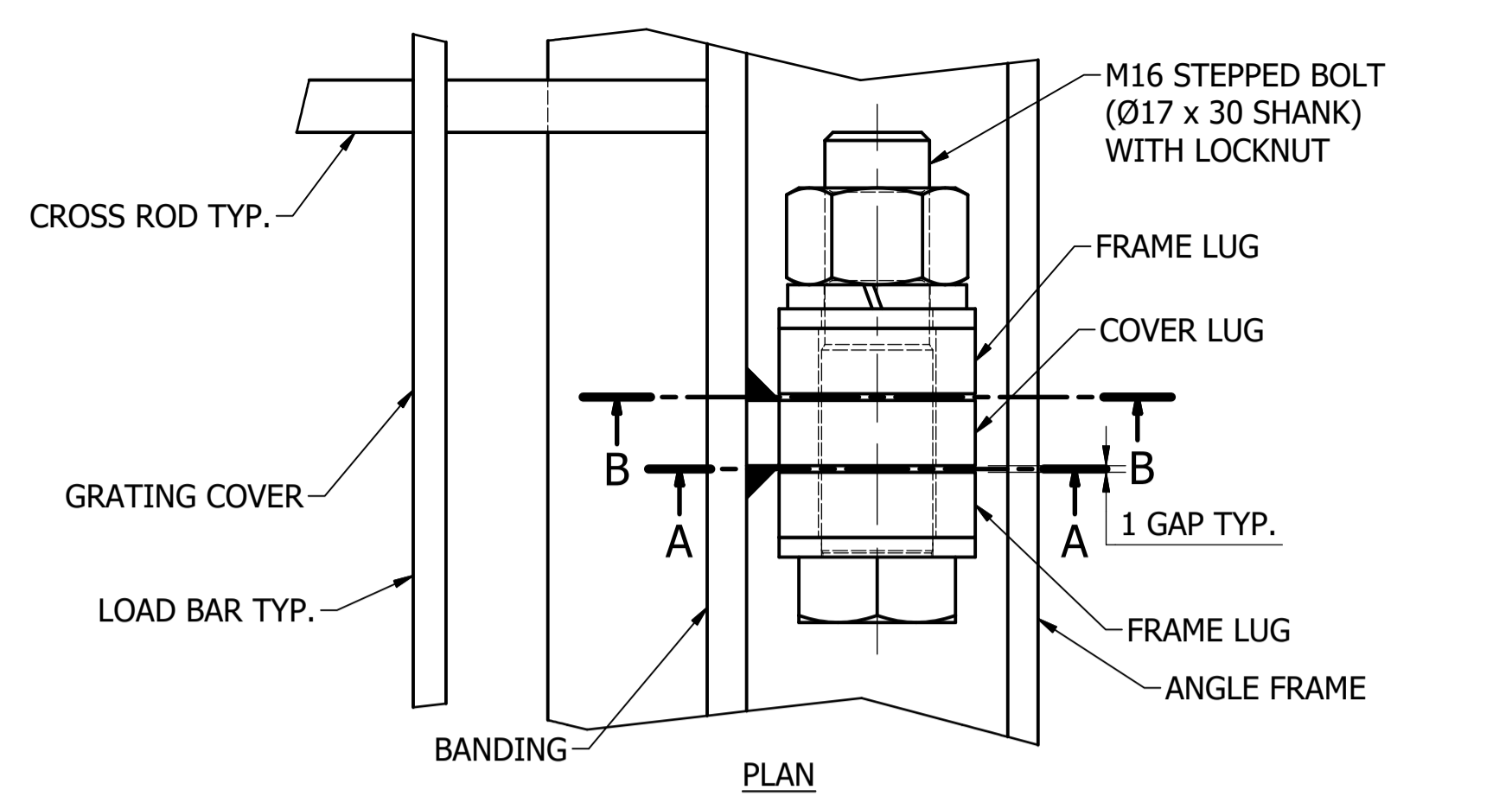
STANDARD DRAWING
 ACCESS COVERS - HDG AND ALUMINIUM, HINGED
 LIFTING HANDLES
 DETAILS

DRAWING STATUS	
Current	
SD-8261-D	
A1	ISSUE A

No.	ISSUE	DATE	DRAWN	CHECKED	AUTHORISED
A	INITIAL ISSUE	15/06/2018	M. Matusiak	K. Danenbergsons	D. Eager

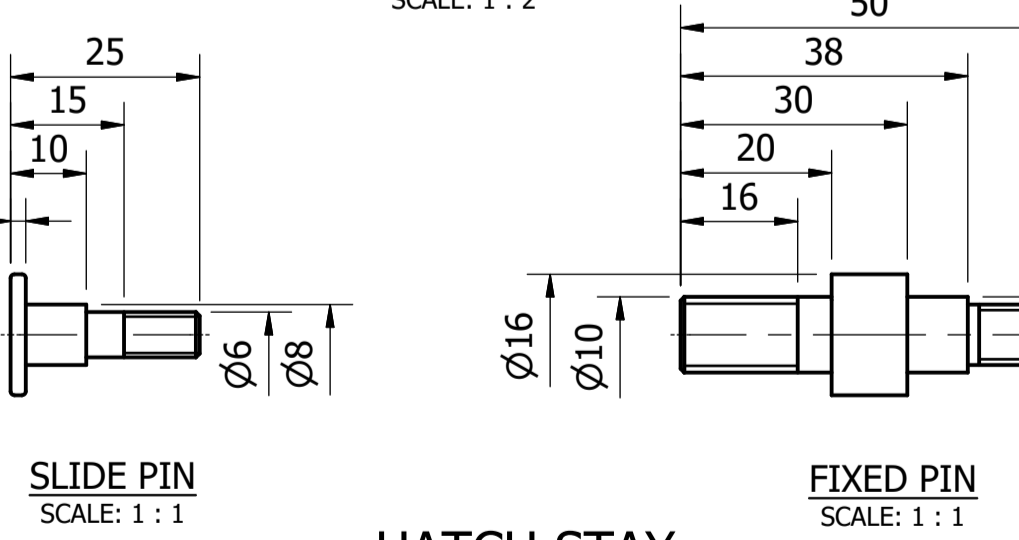
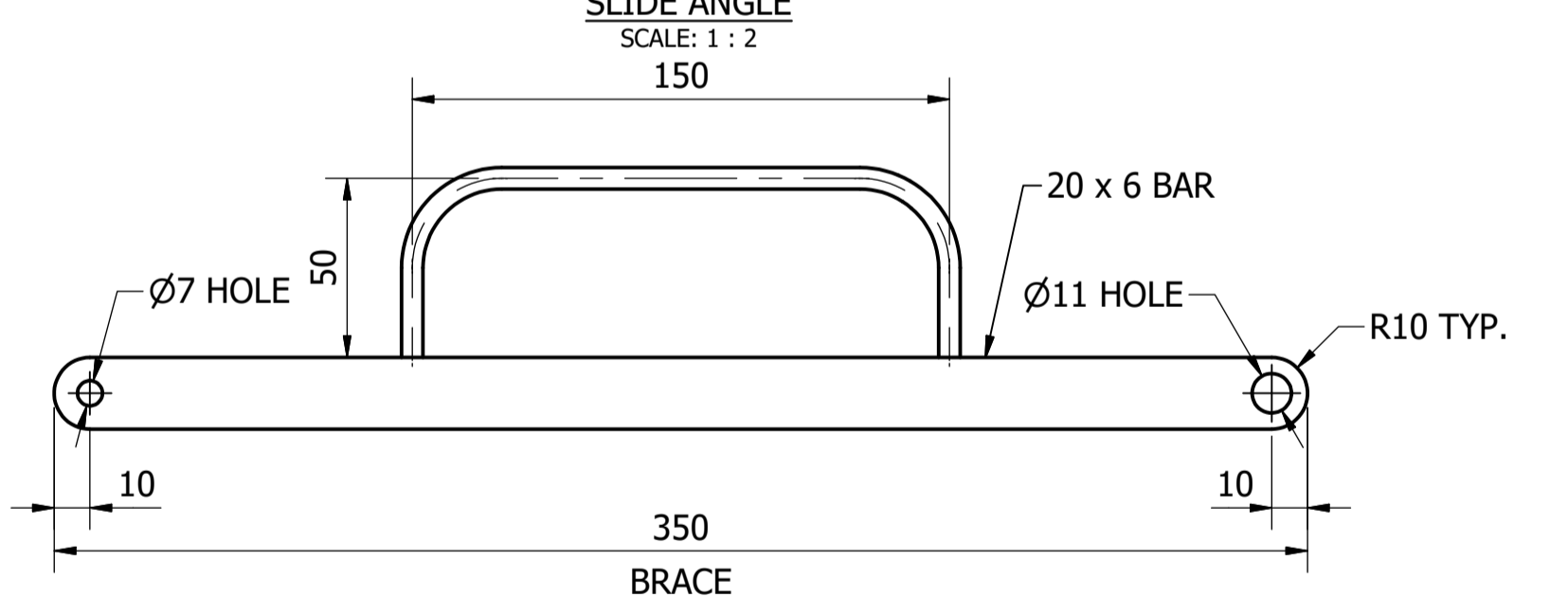
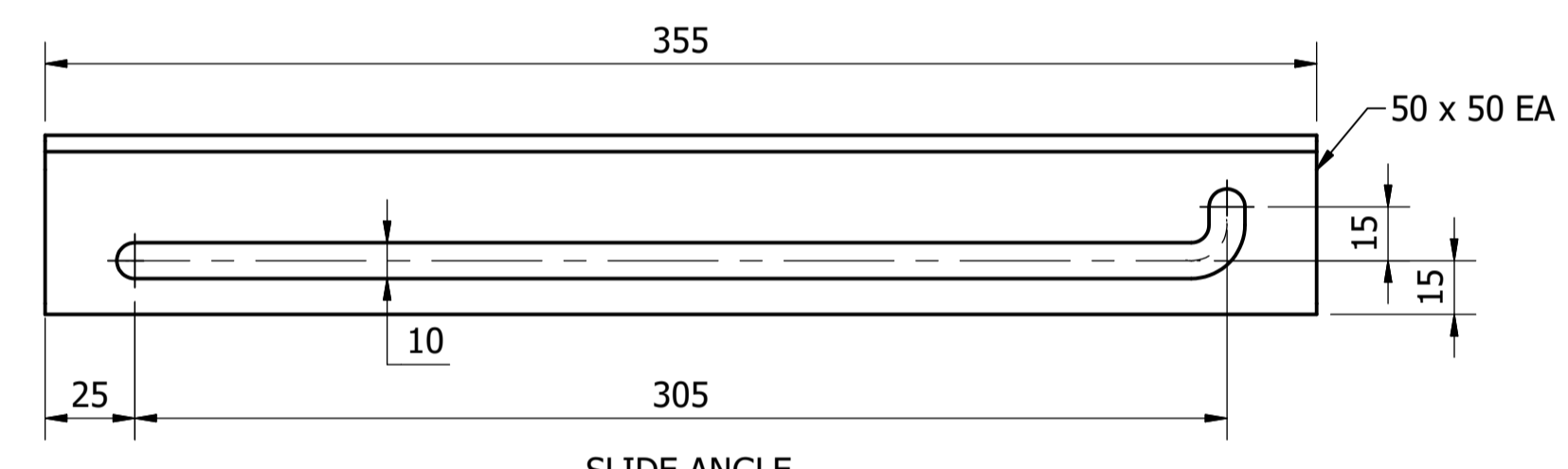


ITEM	AMDT.
PN826301	



MATERIAL: CARBON STEEL
COATING: HOT DIP GALVANISED (AS PART OF FINAL ASSY.)
FINISH COLOUR: N/A
MASS: 1 kg

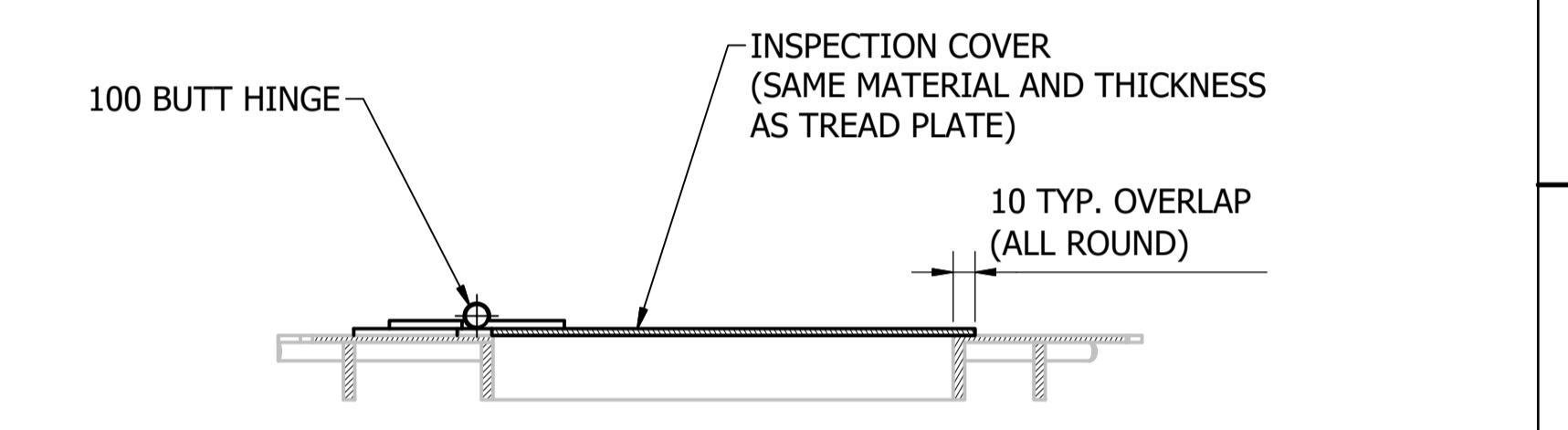
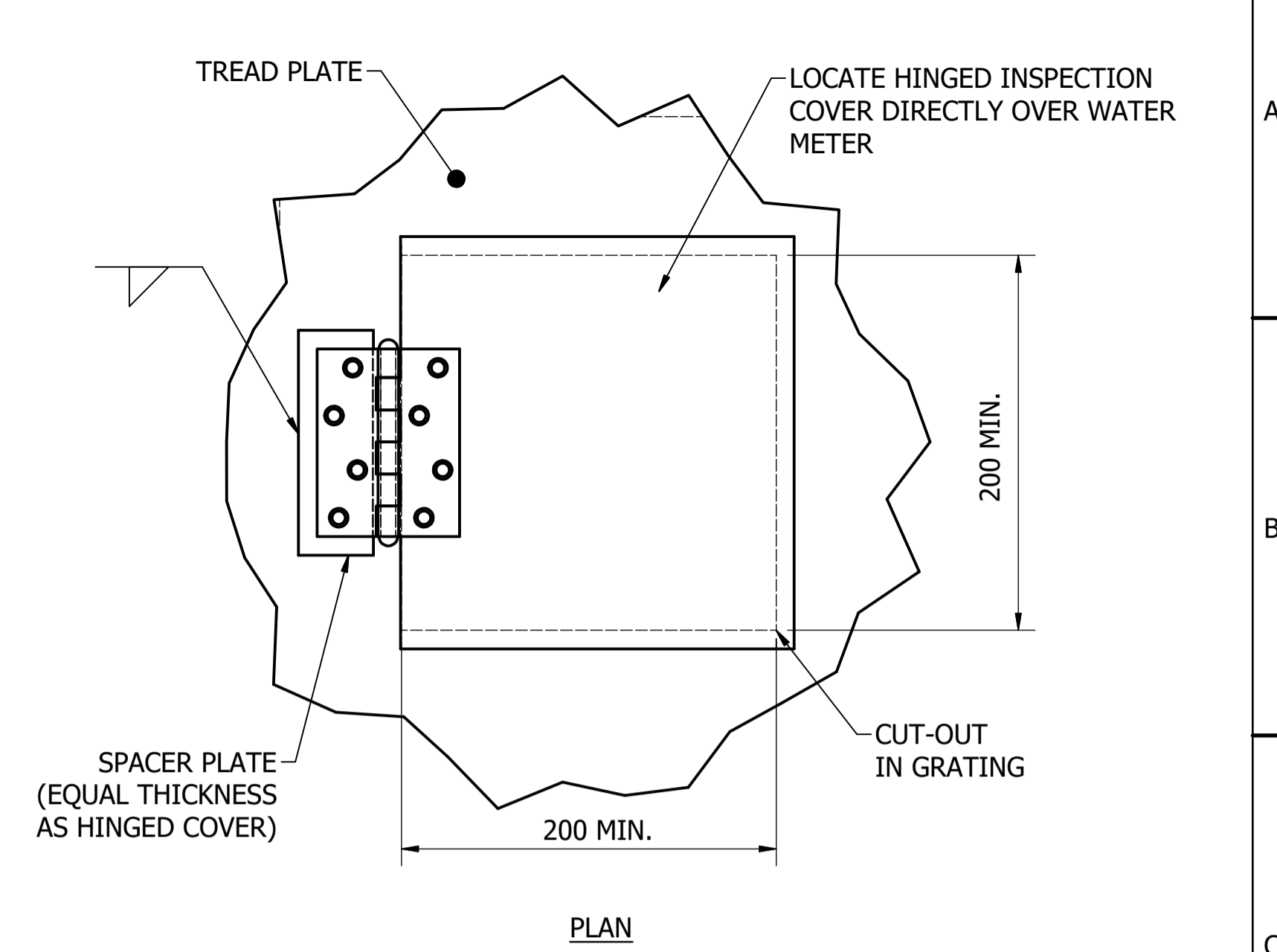
ITEM	AMDT.
PN826302	



HATCH STAY
SCALE: AS SHOWN

MATERIAL: CARBON STEEL
COATING: HOT DIP GALVANISED
FINISH COLOUR: N/A
MASS: 2 kg APPROX.

ITEM	AMDT.
PN826305	



ITEM	AMDT.
PN826303	

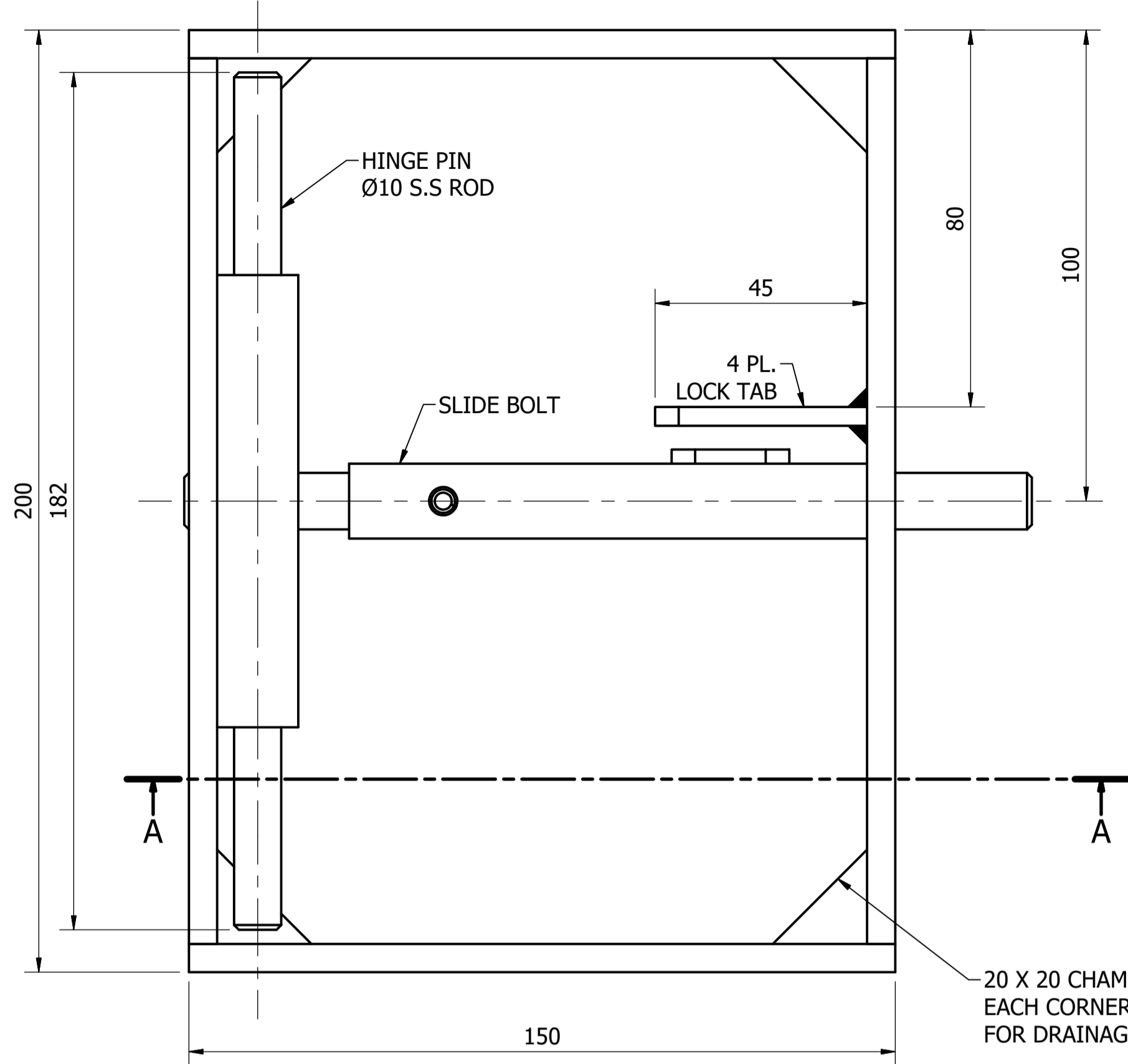
DAM	RES	SPS
BWS	WAT	STP
WTP	SEW	
WPS	REC	



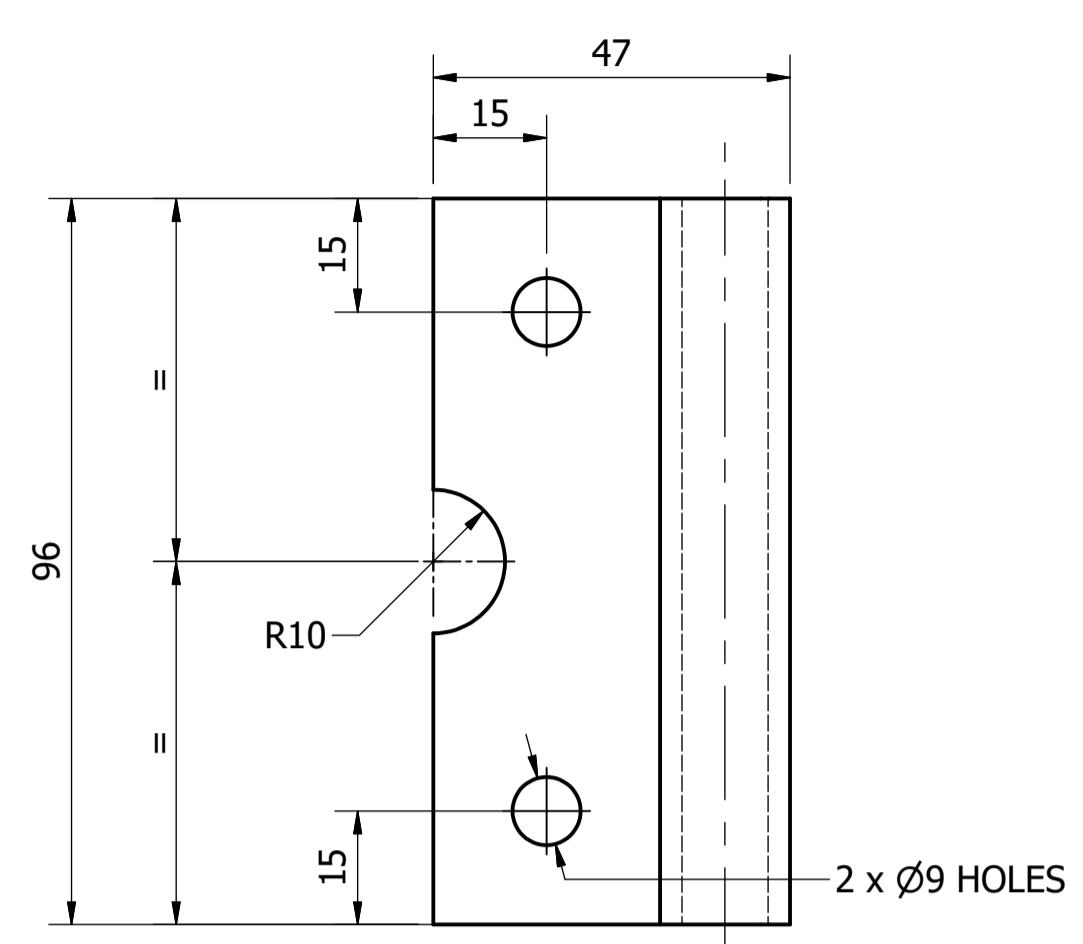
STANDARD DRAWING
ACCESS COVERS - HOT DIP GALVANISED STEEL, HINGED
HINGE AND STAY
DETAILS

DRAWING STATUS		Current
No.		ISSUE
1		A
2		
3		
4		
5		
6		
7		
8		
9		
10		
11		
12		

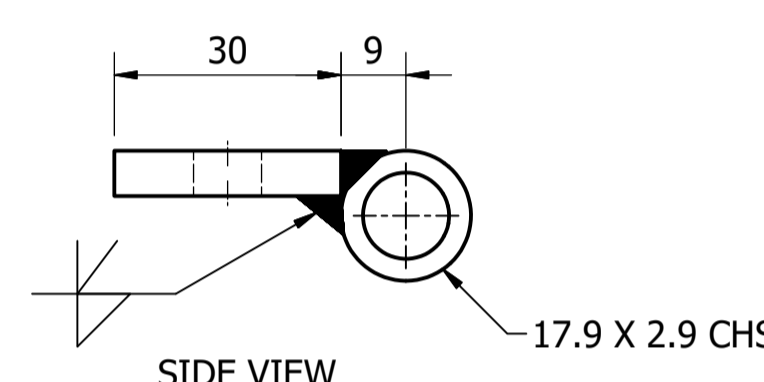
No.	ISSUE	DATE	DRAWN	CHECKED	AUTHORISED
A	INITIAL ISSUE	15/06/2018	M. Matusiak	K. Danenbergsons	D. Eager



PLAN
(LID OMITTED FOR CLARITY)

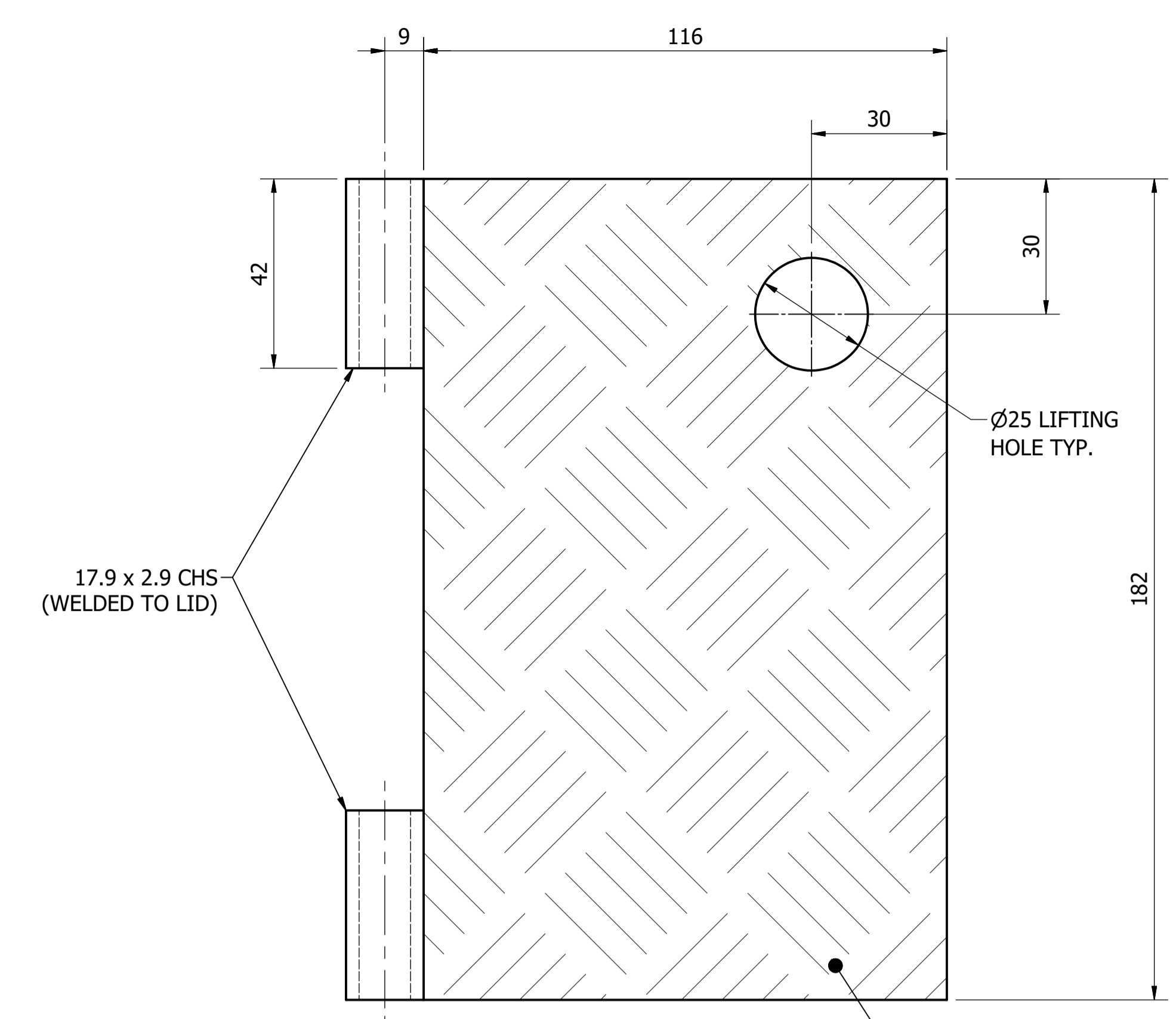


FRONT VIEW

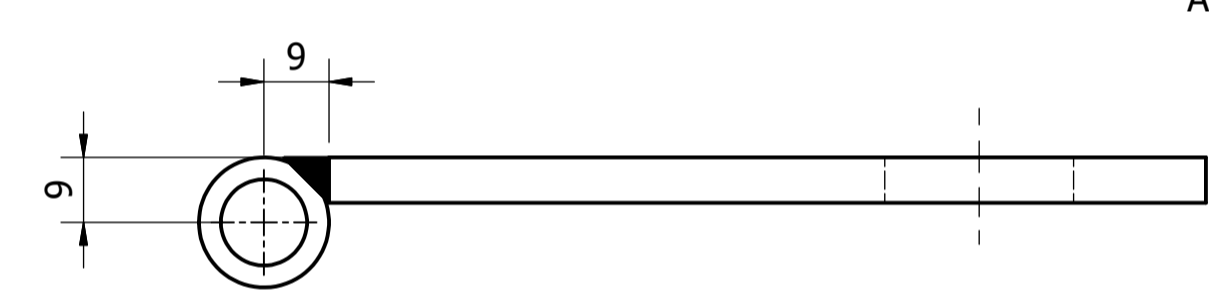


SIDE VIEW

HINGE
SCALE: 1 : 1

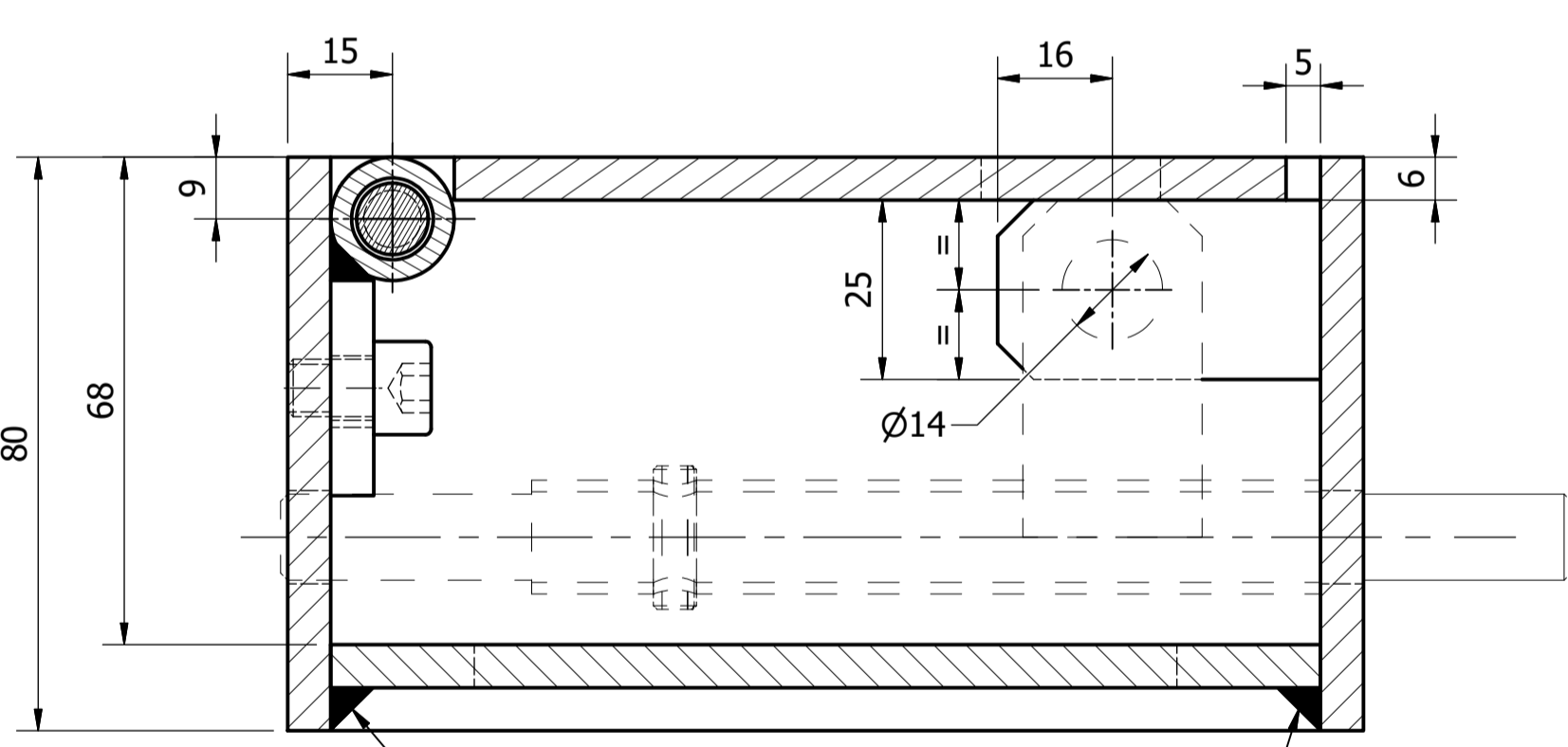


PLAN

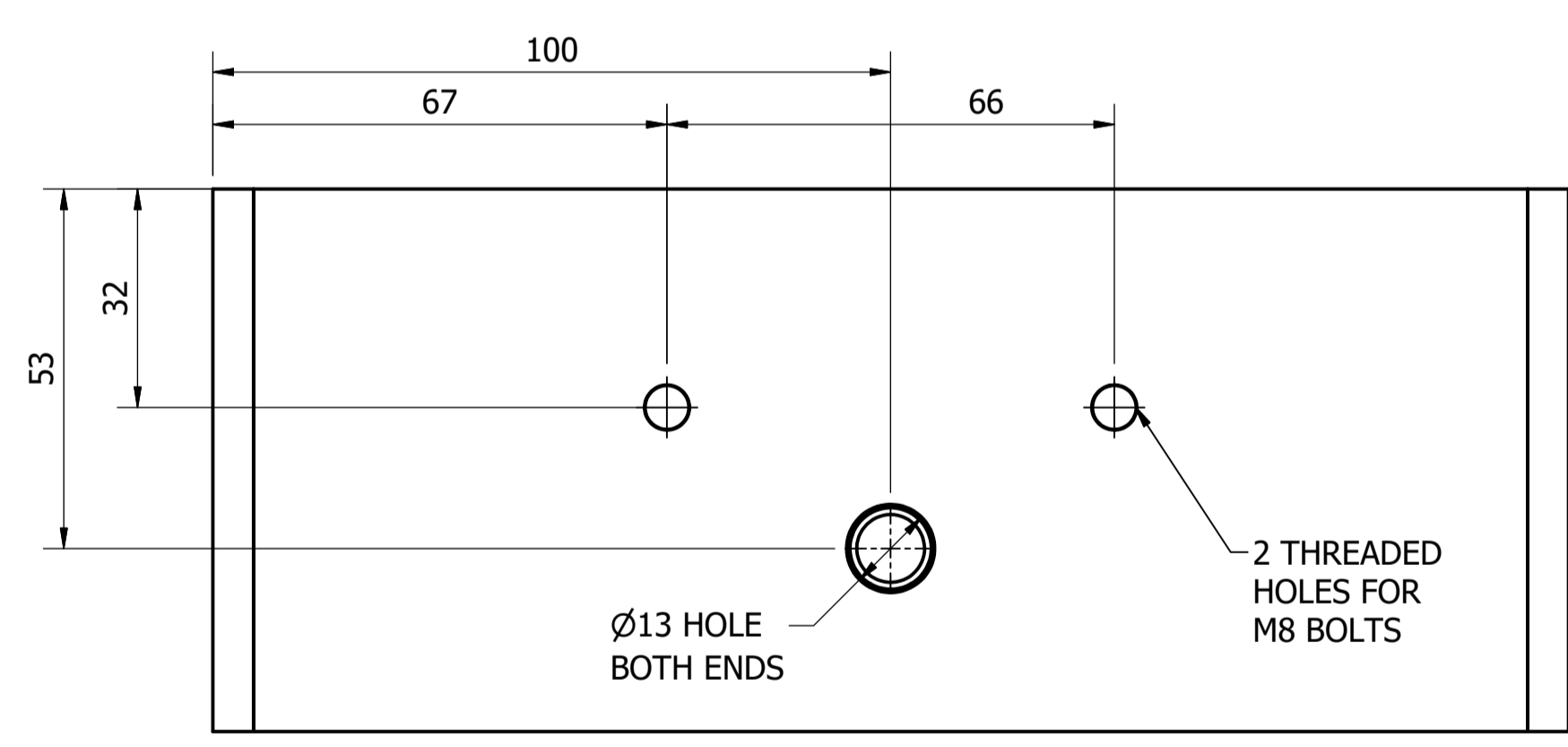


SIDE VIEW

LID
SCALE: 1 : 1



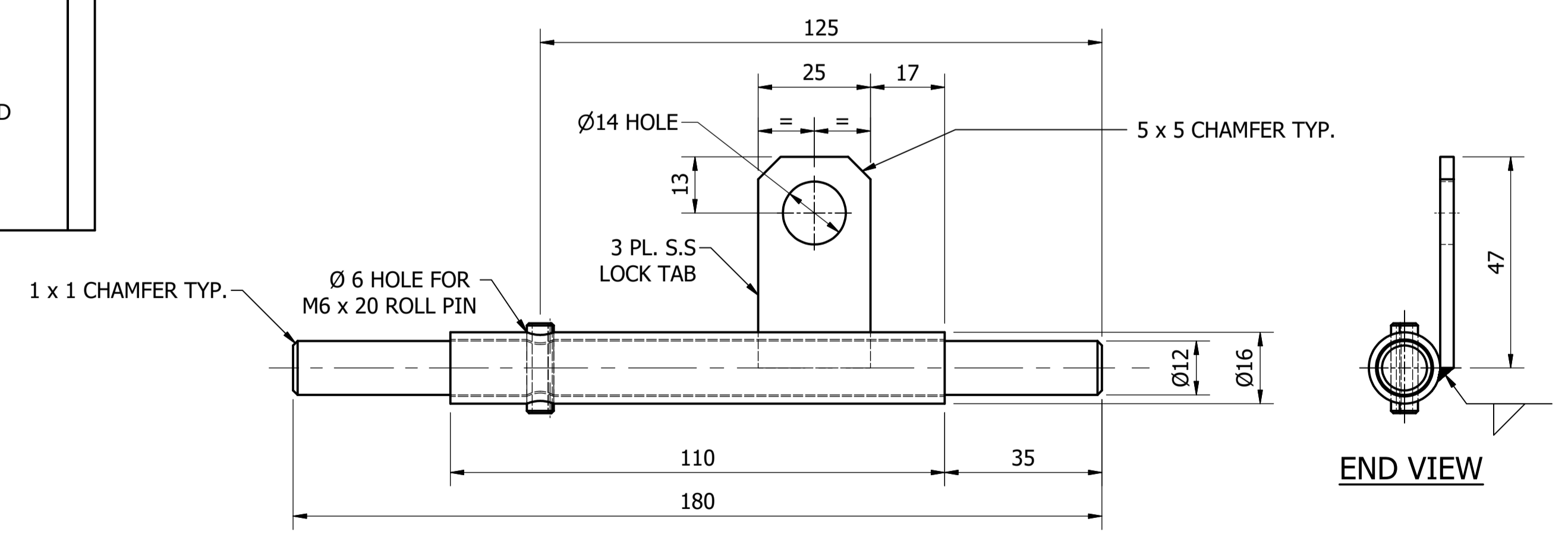
SECTION A-A



BACK VIEW

LOCK BOX - SLIDE BOLT TYPE
SCALE: 1 : 1

MATERIAL: CARBON STEEL / STAINLESS STEEL
COATING: HOT DIP GALVANISED (CARBON STEEL PARTS ONLY)
FINISH COLOUR: N/A
MASS: 5 kg



SIDE VIEW

SLIDE BOLT
SCALE: 1 : 1

END VIEW

ITEM	AMDT.
PN826501	

No.	ISSUE	DATE	DRAWN	CHECKED	AUTHORISED
A	INITIAL ISSUE	15/06/2018	S. Essery	K. Danenbergsons	D. Eager

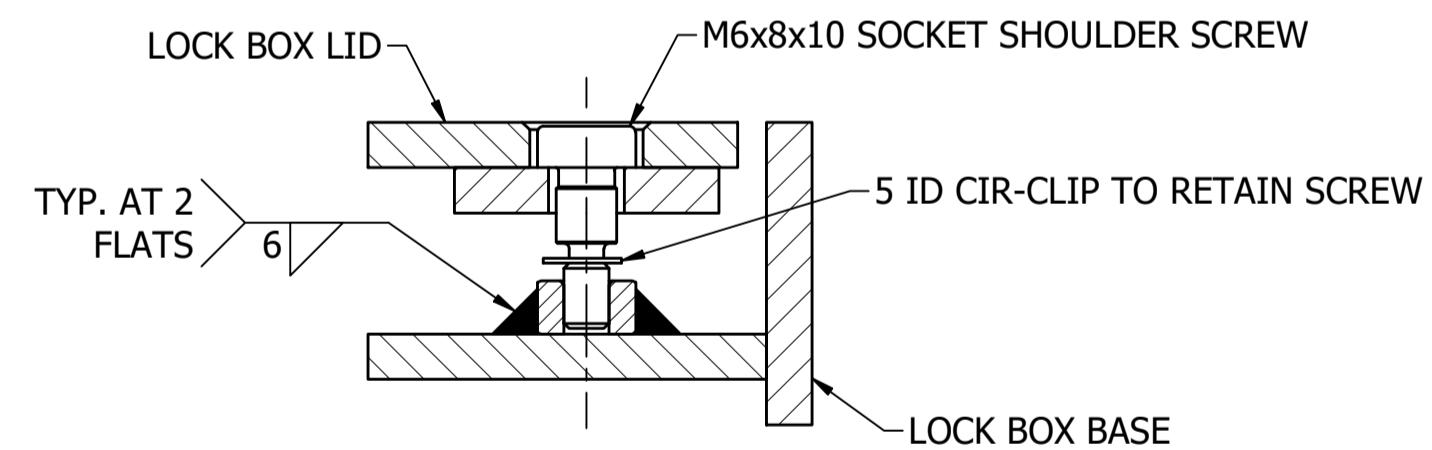
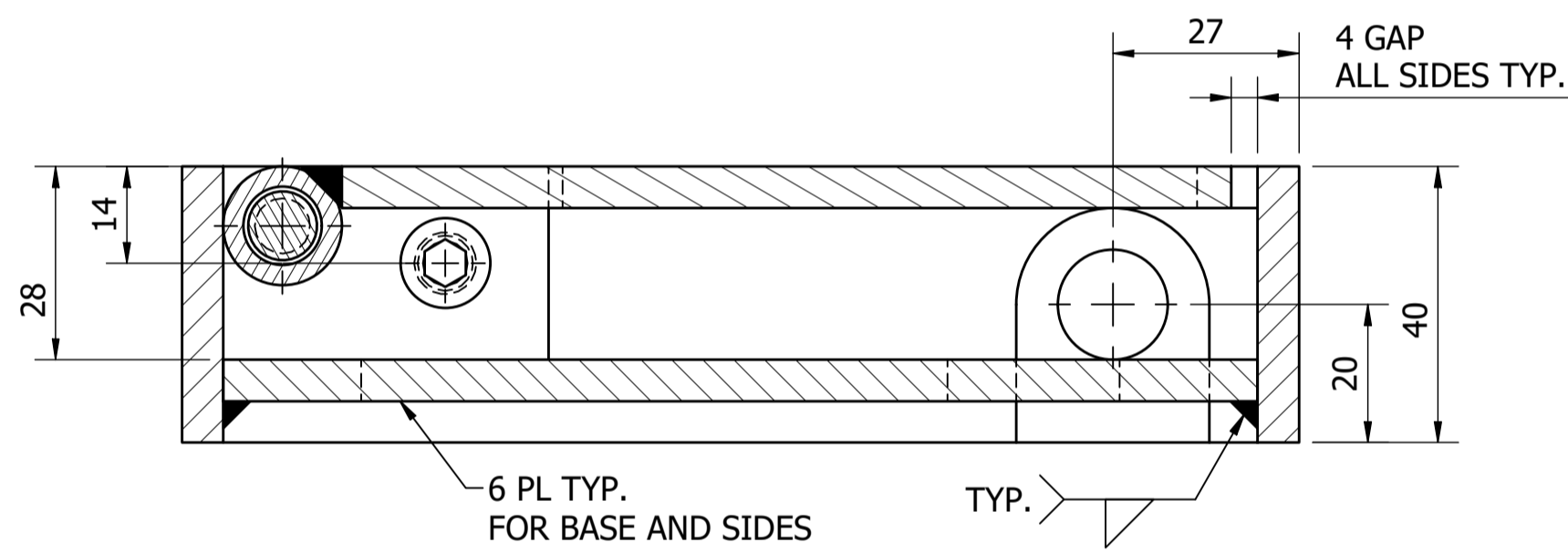
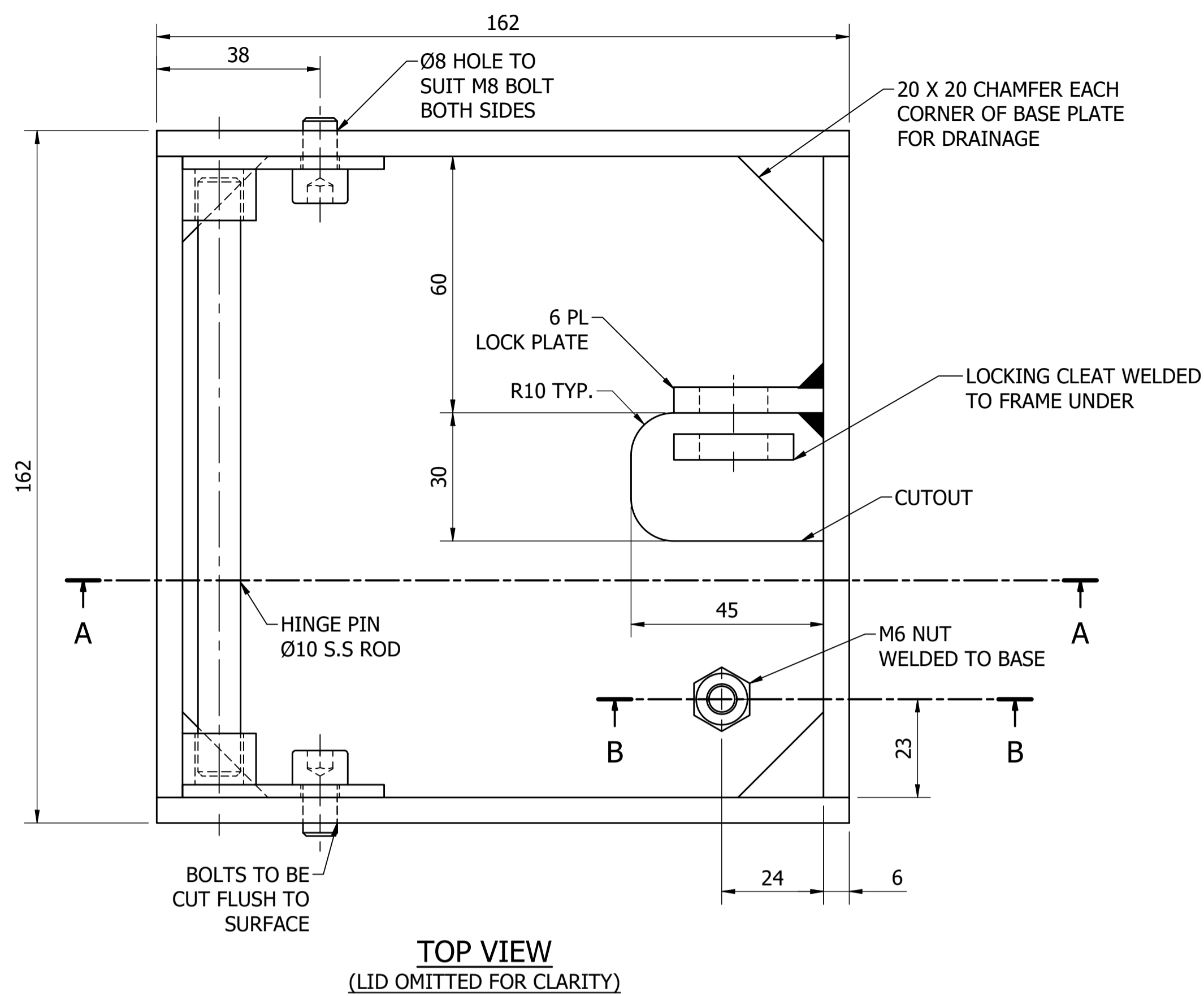
DAM	RES	SPS
BWS	WAT	STP
WTP	SEW	
WPS	REC	



STANDARD DRAWING
ACCESS COVERS - HOT DIP GALVANISED STEEL, HINGED
LOCK BOX SLIDE BOLT TYPE
DETAILS

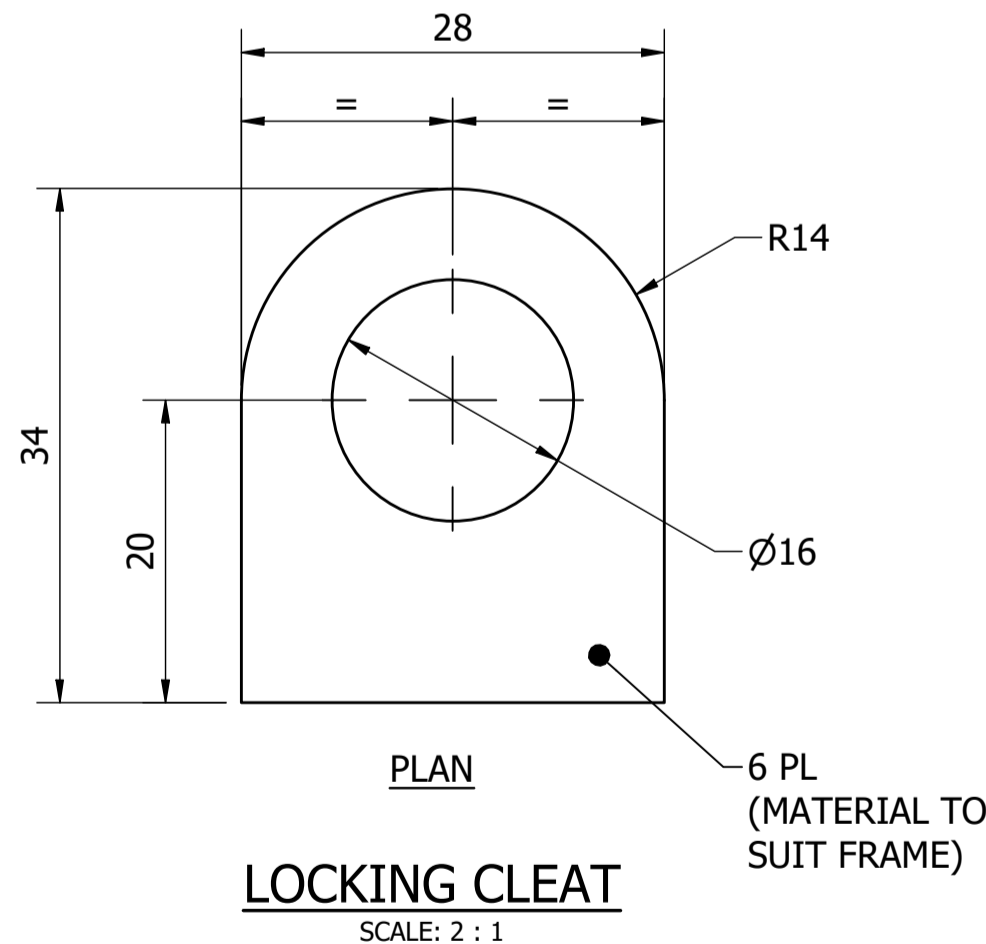
DRAWING STATUS	
Current	
SD-8265-D	
A1	ISSUE A

© Icon Water 2017

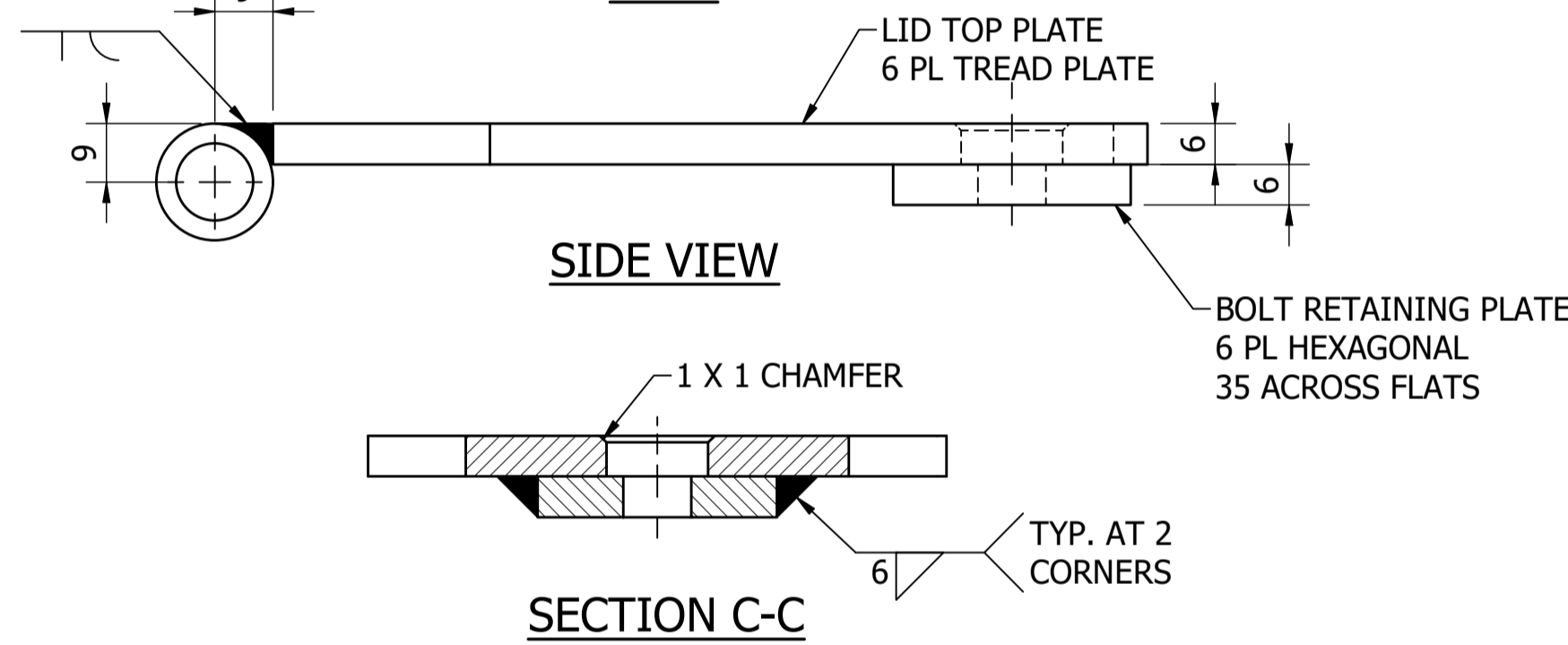
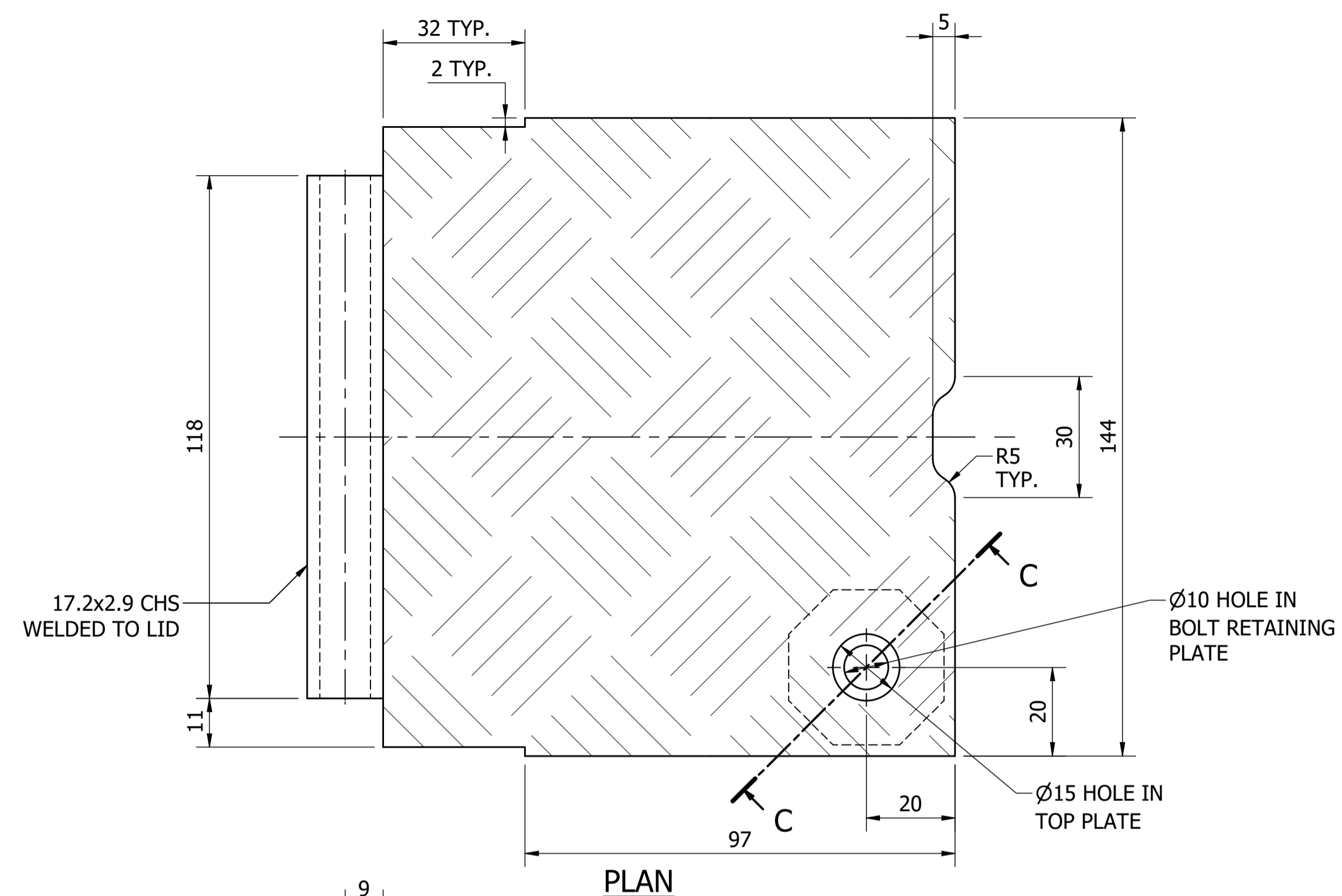


**LOCK BOX
LOCKING PLATE STYLE**
SCALE: 1 : 1

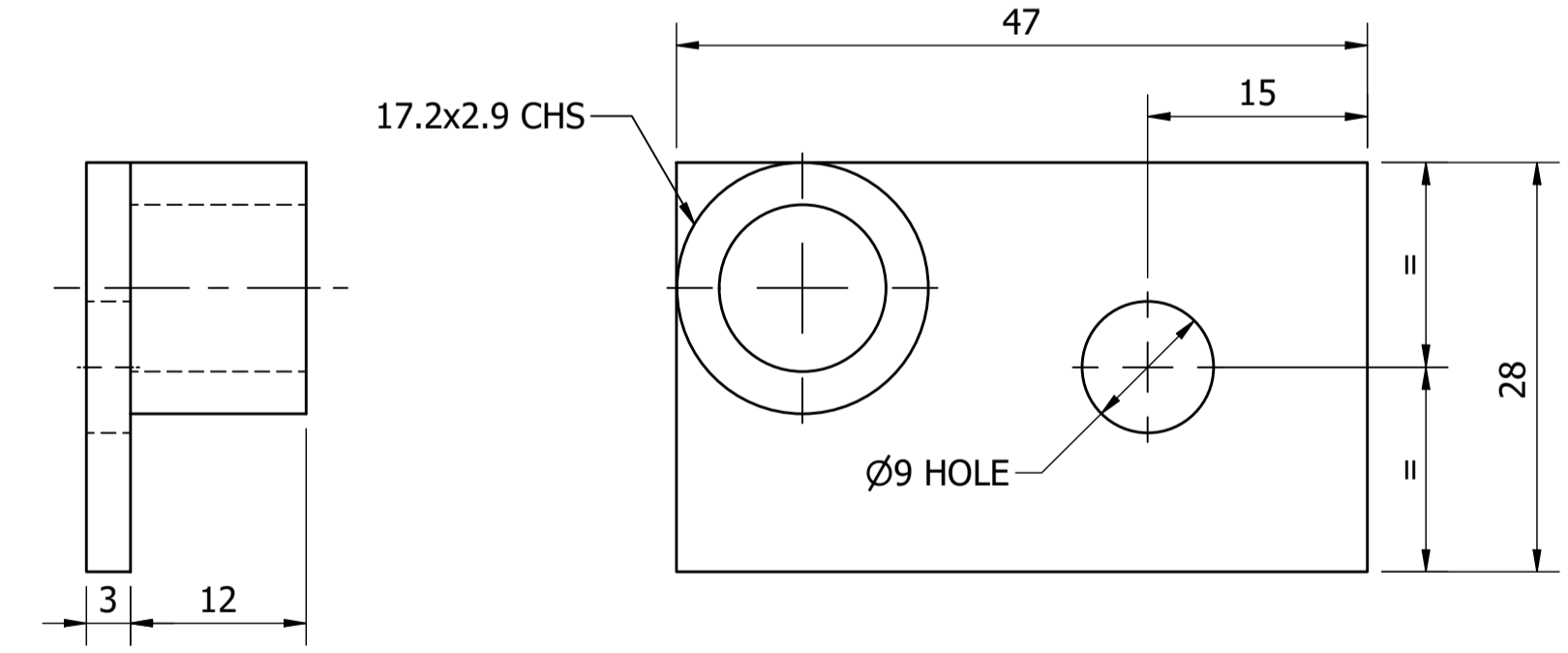
MATERIAL: CARBON STEEL / STAINLESS STEEL
COATING: HOT DIP GALVANISED (CARBON STEEL ONLY)
FINISH COLOUR: N/A
MASS: 8 kg



LOCKING CLEAT
SCALE: 2 : 1



LID
SCALE: 1 : 1



**HINGE BRACKET
(MIRRORED FOR OPP. SIDE)**
SCALE: 2 : 1

- NOTES:**
- THIS DESIGN MAY ALSO BE USED FOR STAINLESS STEEL.
 - BOLT DOWN LID MAY NOT BE REQUIRED IF HATCH IS IN A NON PEDESTRIAN AREA.

ITEM	AMDT.
PN826601	

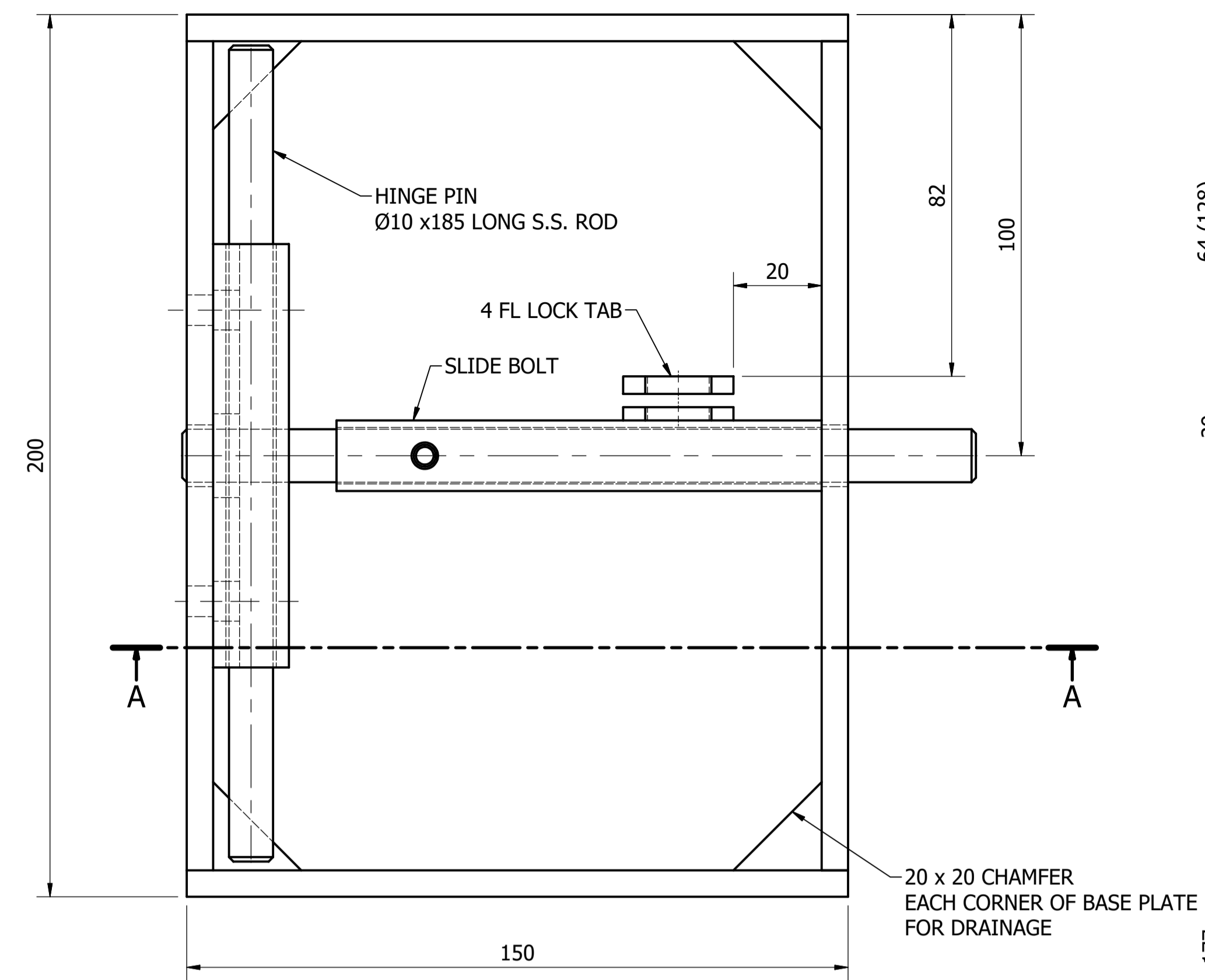
No.	ISSUE	DATE	DRAWN	CHECKED	AUTHORISED
A	INITIAL ISSUE	15/06/2018	S. Essery	K. Danenbergson	D. Eager
B	BOLT DOWN LID DETAILS ADDED	13/11/2023	M. Matuziak	P. Ngan	S. Asadollahi

REGISTERED ENGINEER	DAM	RES	SPS
Name:	BWS	WAT	STP
Discipline:	WTP	SEW	
Date:	WPS	REC	
Applicable Revision	ASSET AREA APPLICABILITY		

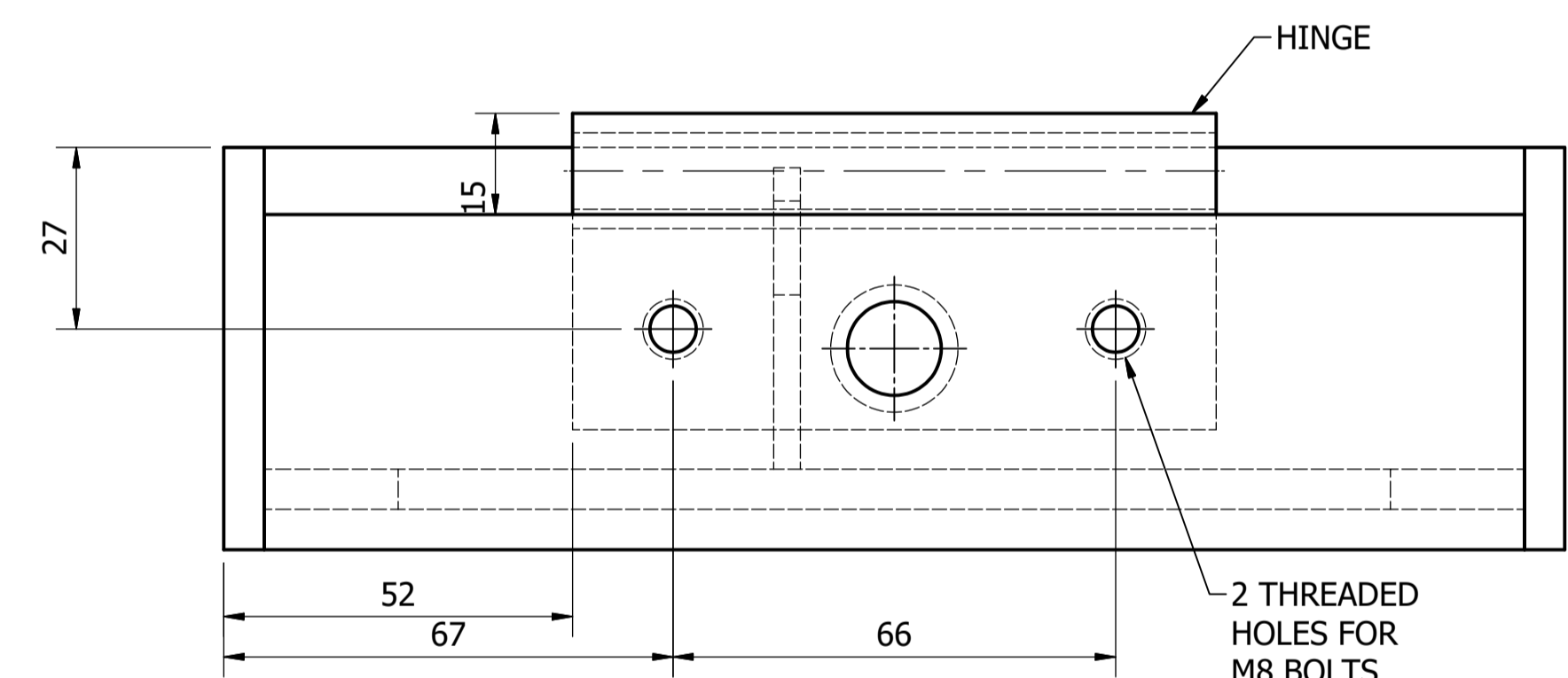


STANDARD DRAWING
ACCESS COVERS - HOT DIP GALVANISED STEEL, HINGED
LOCK BOX LOCKING PLATE TYPE
DETAILS

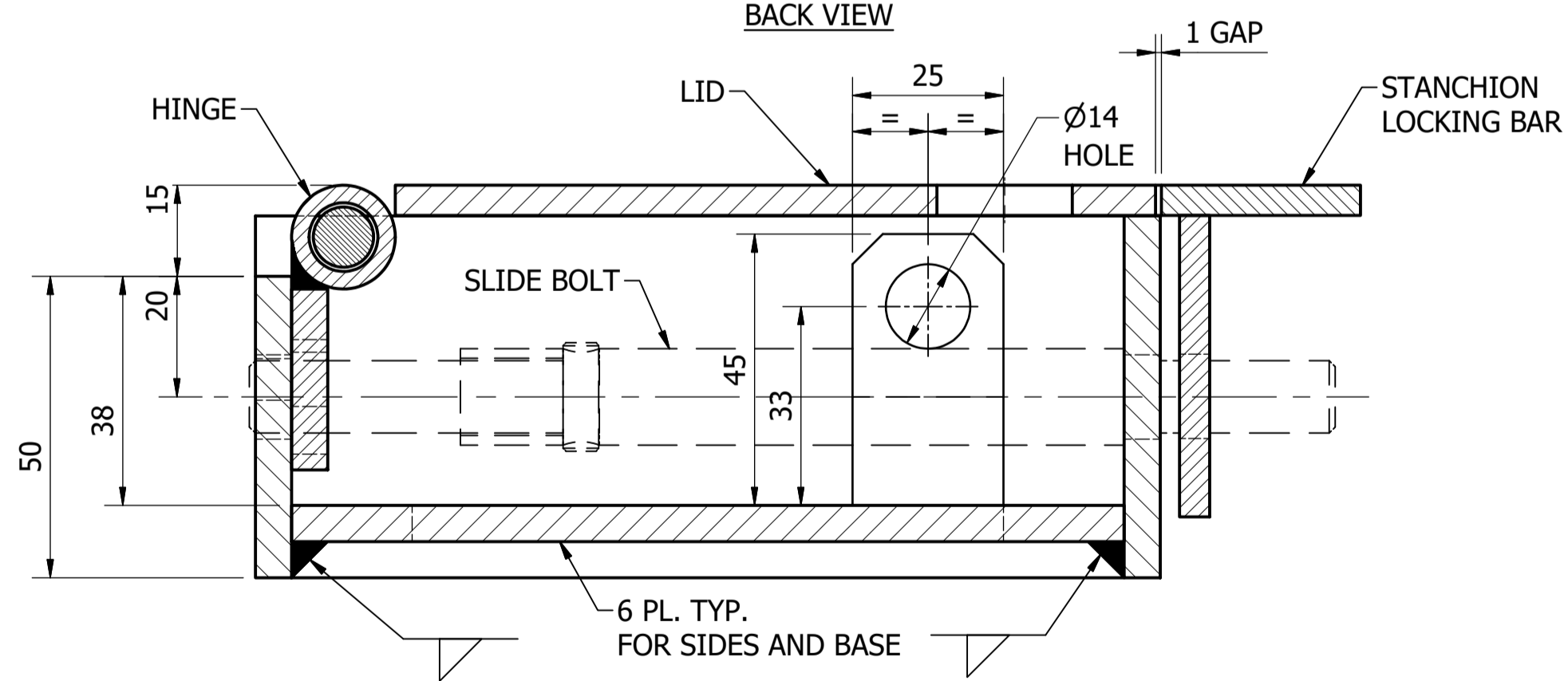
DRAWING STATUS	Current
SD-8266-D	
A1	ISSUE B
© Icon Water 2025	



PLAN
(LOCKING BAR AND LID OMITTED FOR CLARITY)

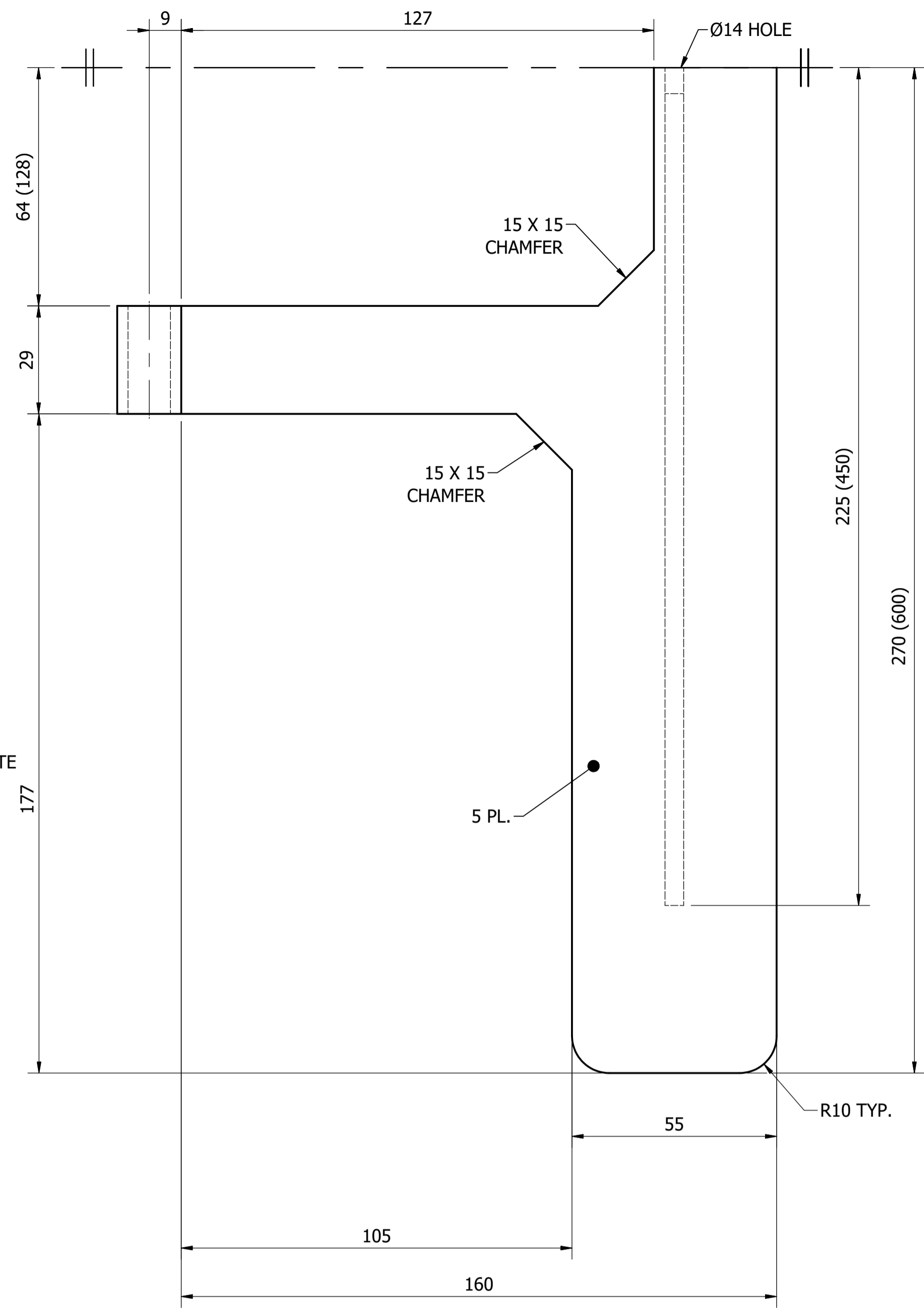


BACK VIEW

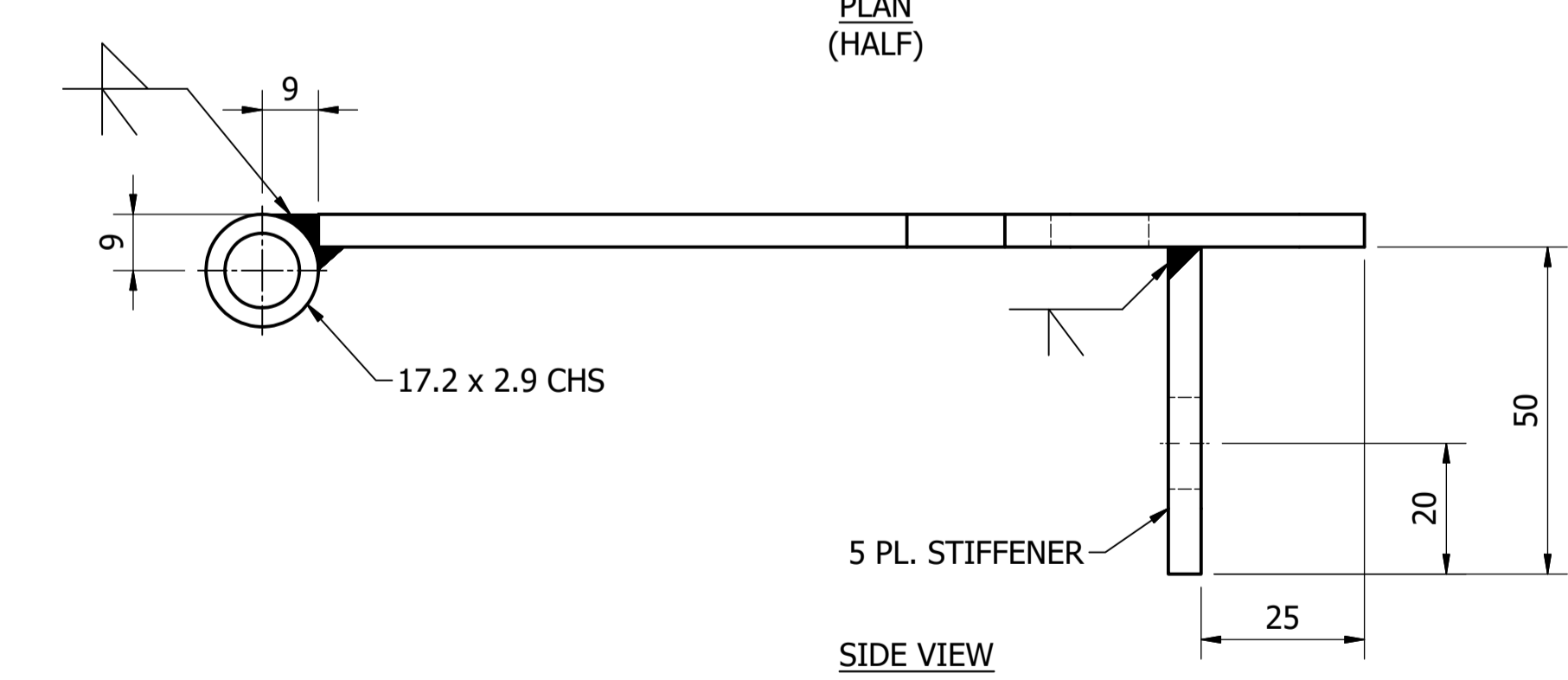


LOCK BOX - STANCHION LOCKING BAR TYPE
SCALE: 1 : 1

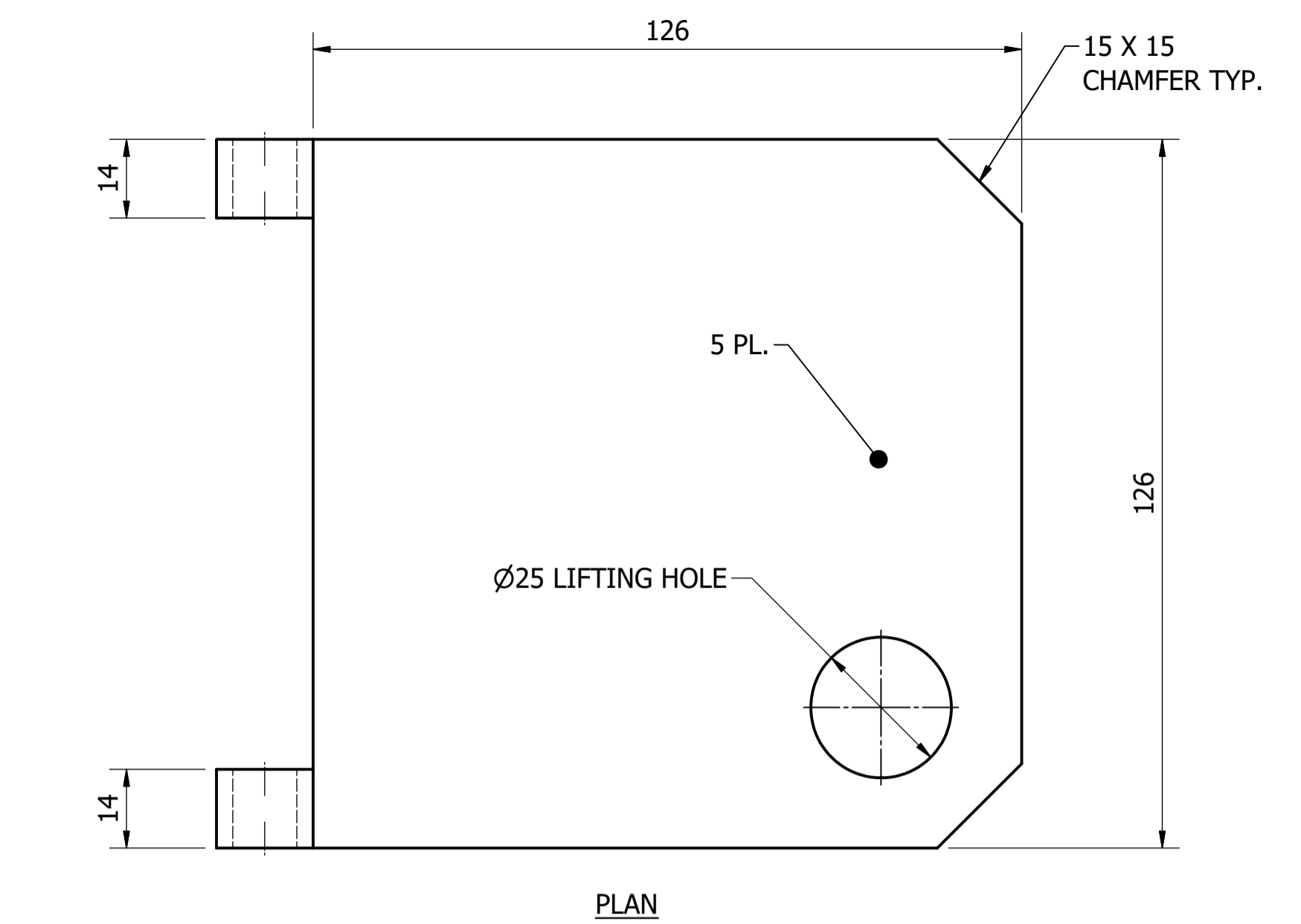
MATERIAL: CARBON STEEL / STAINLESS STEEL
COATING: HOT DIP GALVANISED (CARBON STEEL PARTS ONLY)
FINISH COLOUR: N/A
MASS: 7 kg



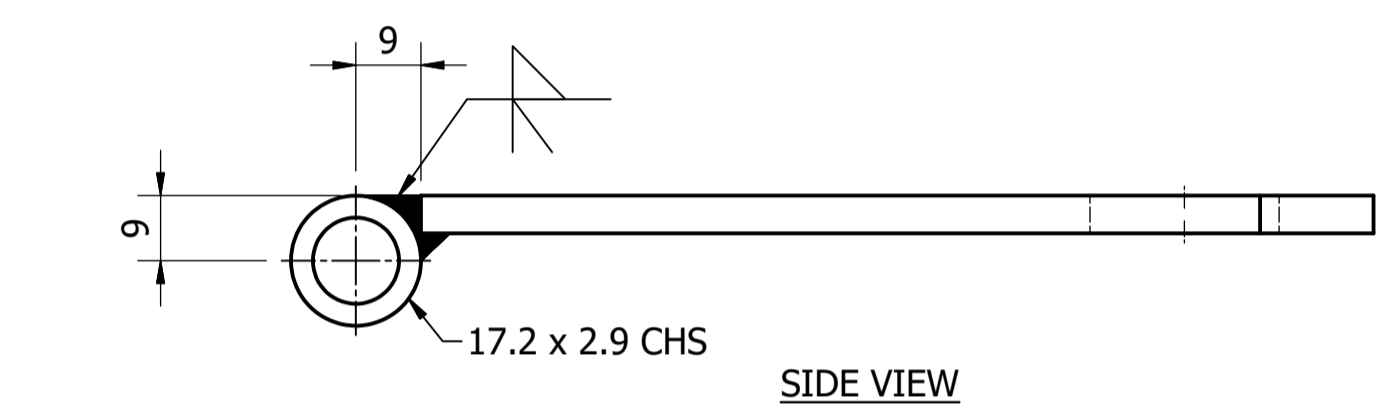
STANCHION LOCKING BAR
SCALE: 1 : 1



SIDE VIEW

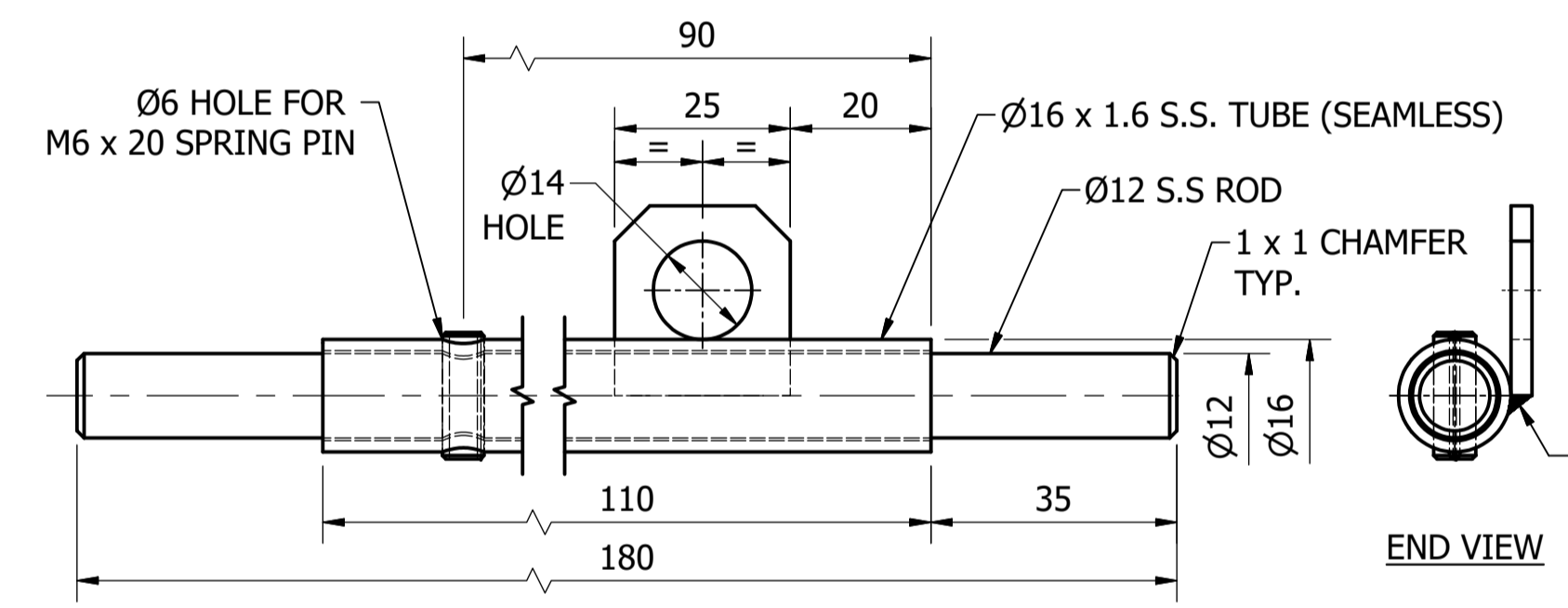


PLAN



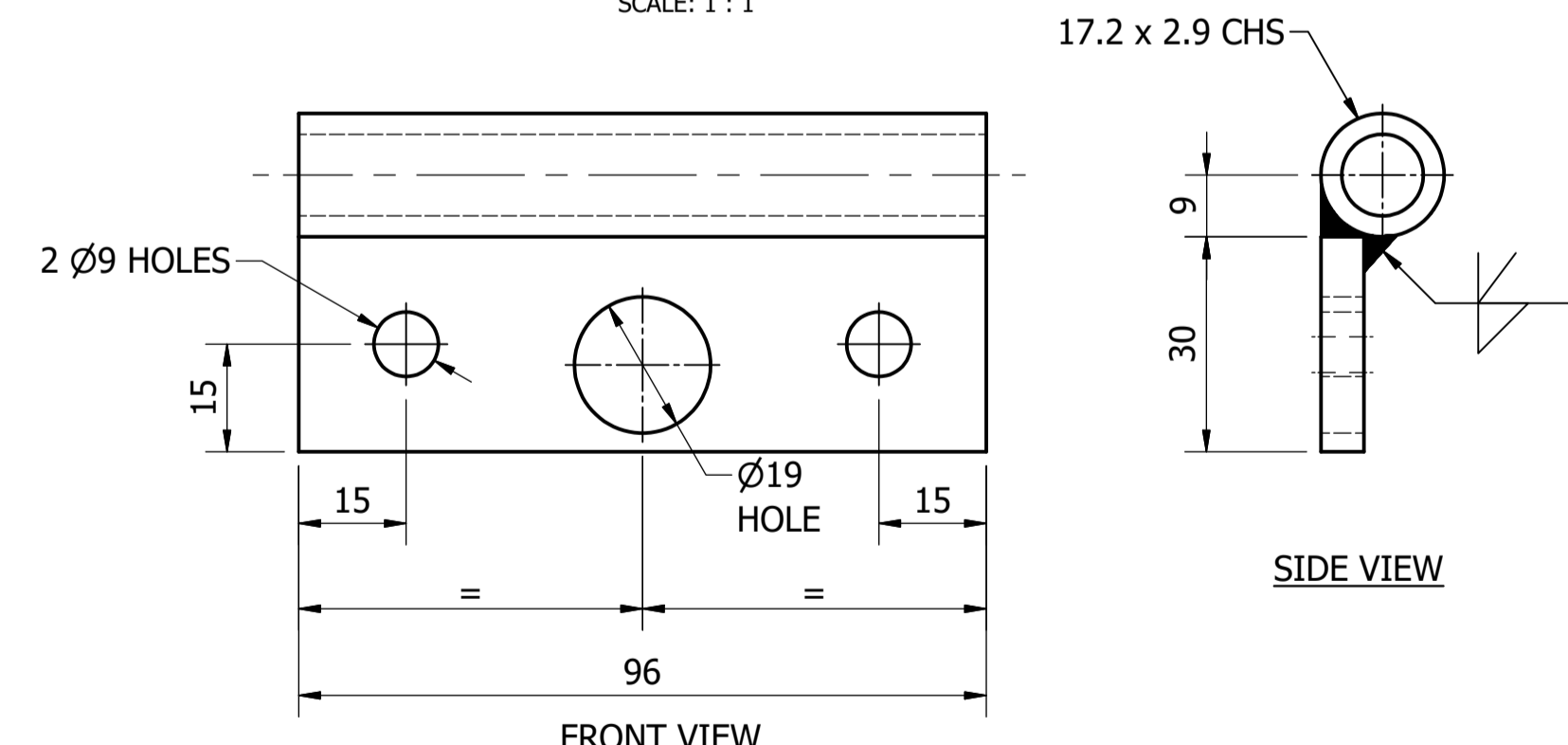
SIDE VIEW

LID
SCALE: 1 : 1



SIDE VIEW

SLIDE BOLT
SCALE: 1 : 1



FRONT VIEW

HINGE
SCALE: 1 : 1

NOTES:

1. FOR GALVANISED STEEL ACCESS COVER NOTES REFER TO DRAWING SD-8230.

ITEM	AMDT.
PN826701	

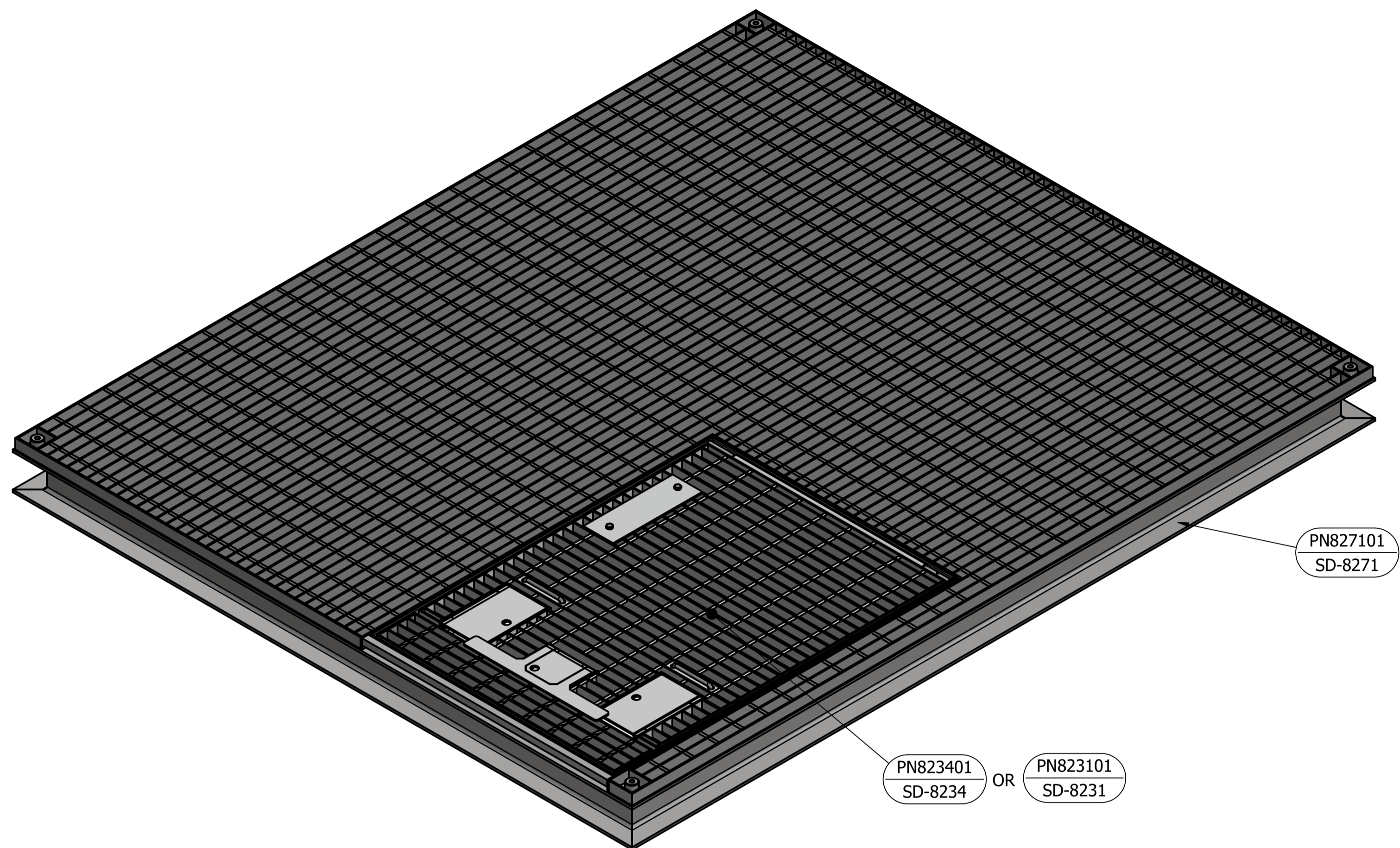
No.	ISSUE	DATE	DRAWN	CHECKED	AUTHORISED
A	INITIAL ISSUE	15/06/2018	M. Matusiak	K. Danenbergsons	D. Eager

DAM	RES	SPS
BWS	WAT	STP
WTP	SEW	
WPS	REC	



STANDARD DRAWING
ACCESS COVERS - HOT DIP GALVANISED STEEL, HINGED
LOCK BOX - STANCHION LOCKING BAR TYPE
DETAILS

DRAWING STATUS	
Current	
SD-8267-D	
A1	ISSUE A

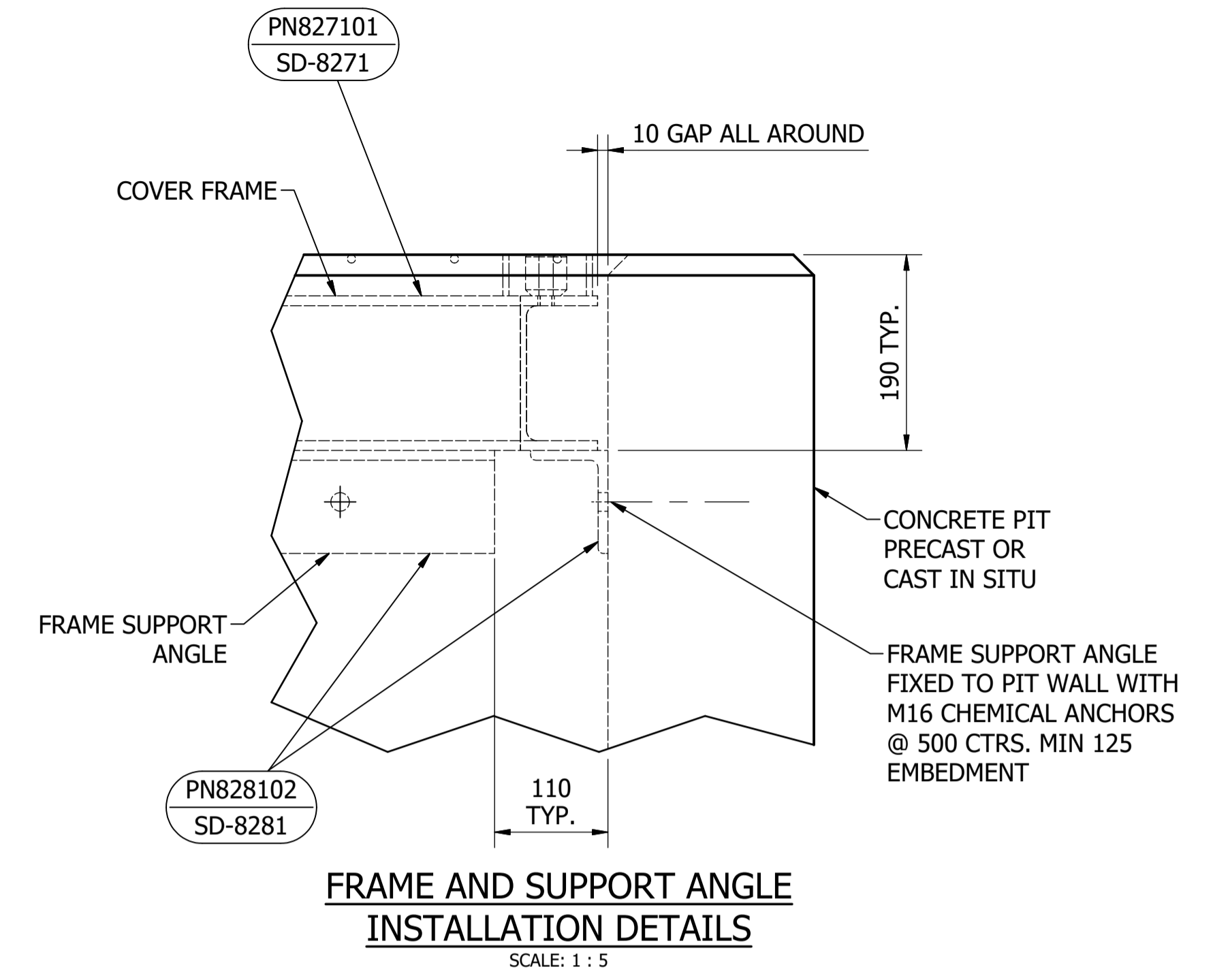


ISOMETRIC VIEW
"DROP-IN" PIT COVER
INCL. HINGED ACCESS HATCH
 SCALE: 1 : 10

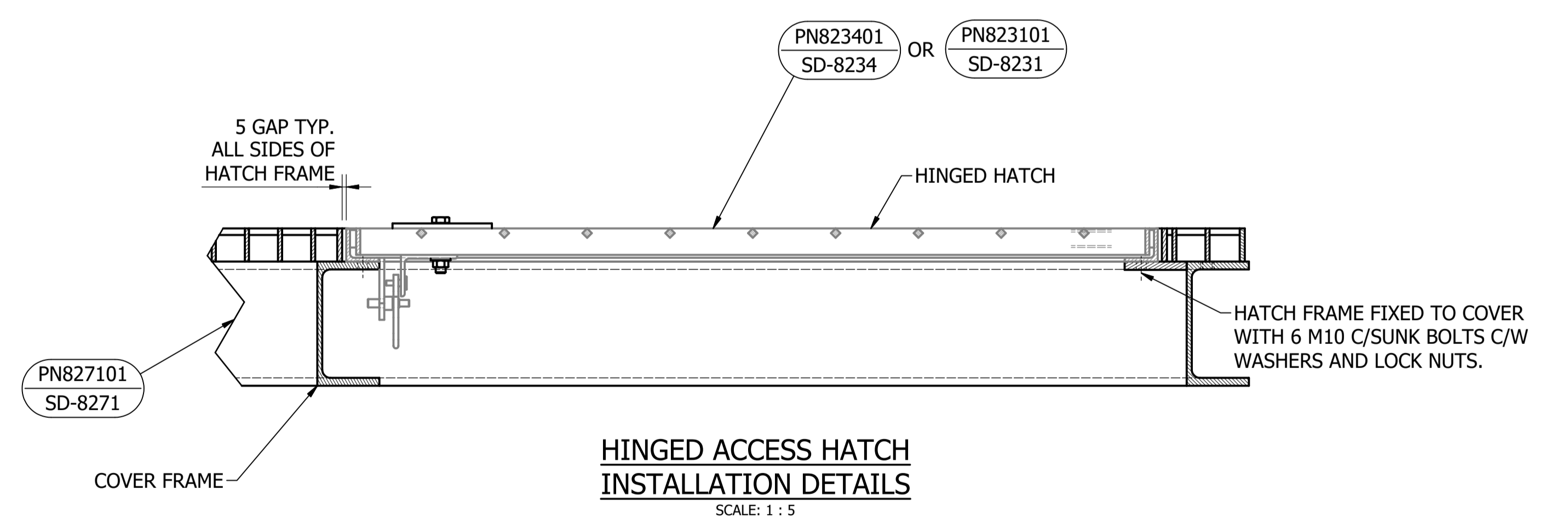
MATERIAL: CARBON STEEL
 COATING: HOT DIP GALVANISED
 FINISH COLOUR: N/A
 MASS: 600 kg INCL. HATCH (3 m x 2.5 m)

NOTES:

1. THE DESIGNER IS TO DETERMINE THE MAXIMUM WIDTH AND LENGTH OF THE "DROP-IN" PIT COVER NOTING THE REQUIRED DESIGN LOADS SPECIFIC TO THE PROJECT.



FRAME AND SUPPORT ANGLE
INSTALLATION DETAILS
 SCALE: 1 : 5



HINGED ACCESS HATCH
INSTALLATION DETAILS
 SCALE: 1 : 5

ITEM	AMDT.
PN827001	

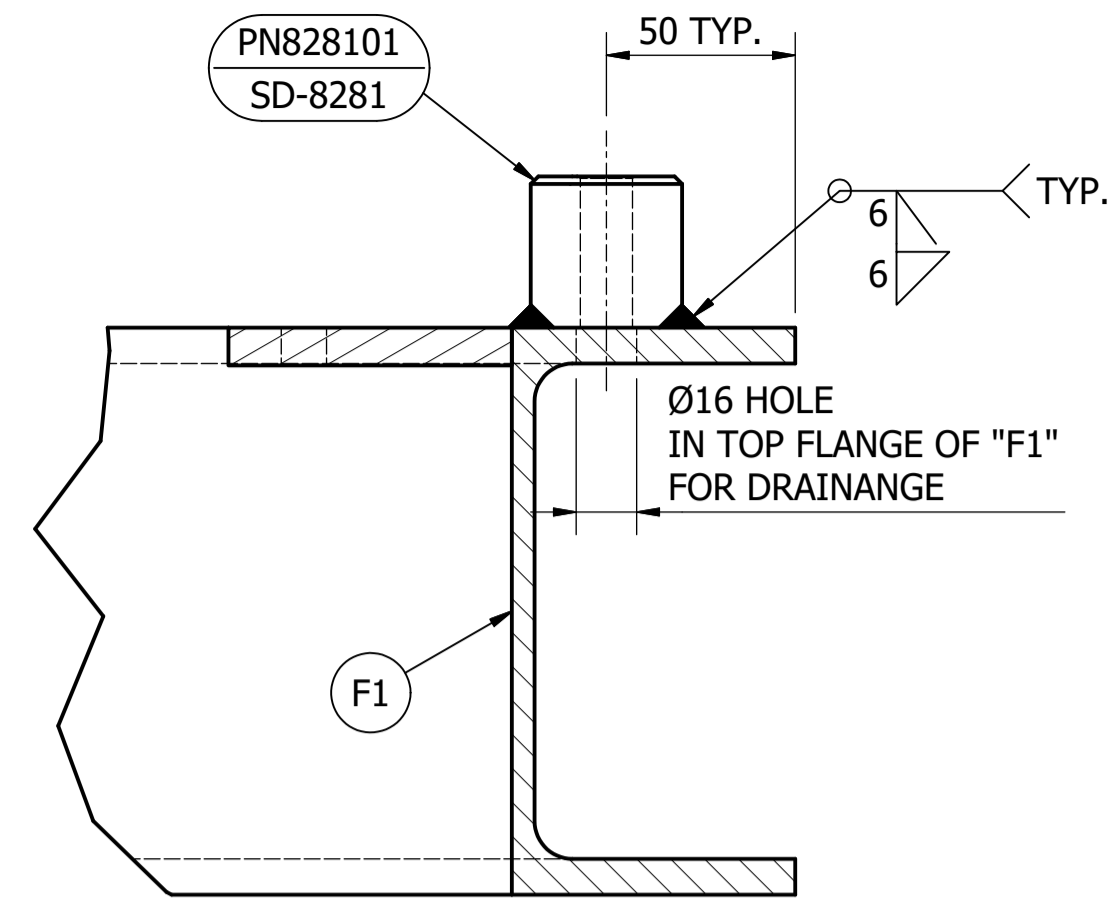
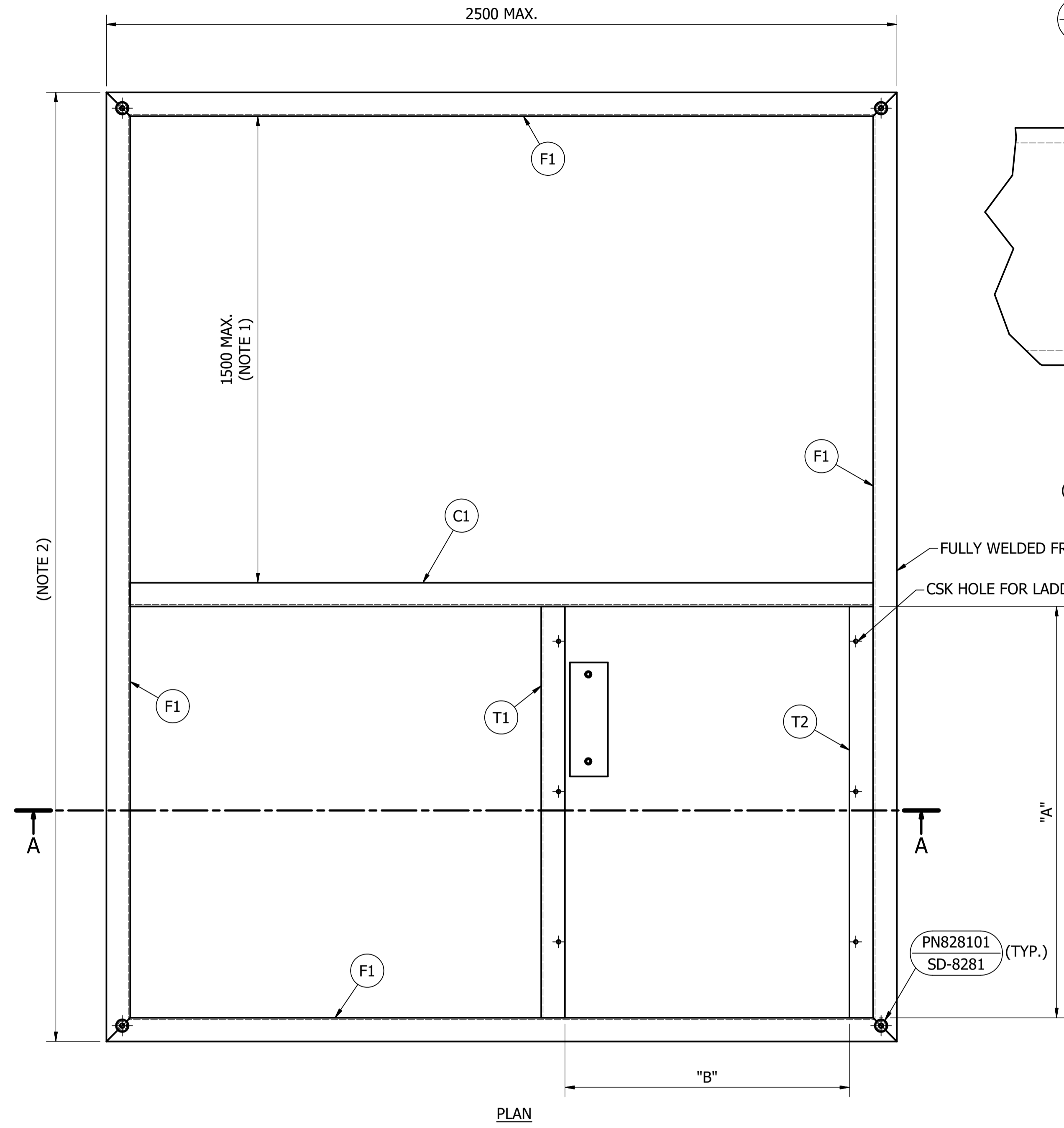
No.	ISSUE	DATE	DRAWN	CHECKED	AUTHORISED
A	INITIAL ISSUE	15/06/2018	M. Matusiak	K. Danenbergsons	D. Eager
B	PIT COVER DIMENSIONS ADDED TO MASS, NOTE 1 ADDED	19/06/2019	S. Essery	K. Danenbergsons	C. Patrick

DAM	<input checked="" type="checkbox"/>	RES	<input checked="" type="checkbox"/>	SPS	
BWS	<input checked="" type="checkbox"/>	WAT	<input checked="" type="checkbox"/>	STP	
WTP	<input checked="" type="checkbox"/>	SEW			
WPS	<input checked="" type="checkbox"/>	REC	<input checked="" type="checkbox"/>		
ASSET AREA APPLICABILITY					

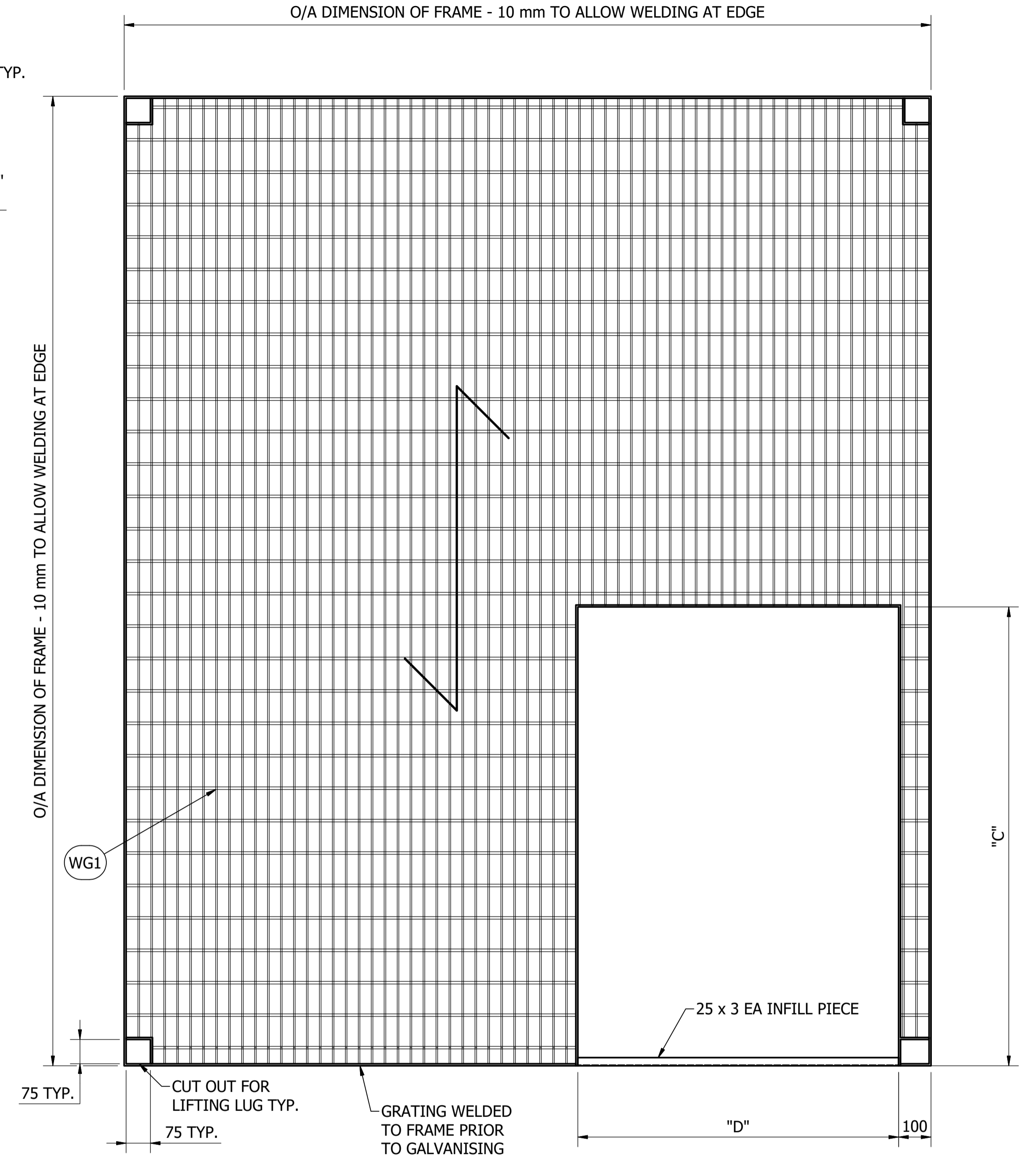


STANDARD DRAWING
 ACCESS COVERS - HOT DIP GALVANISED STEEL
 DROP IN FRAME
 TYPICAL ARRANGEMENT

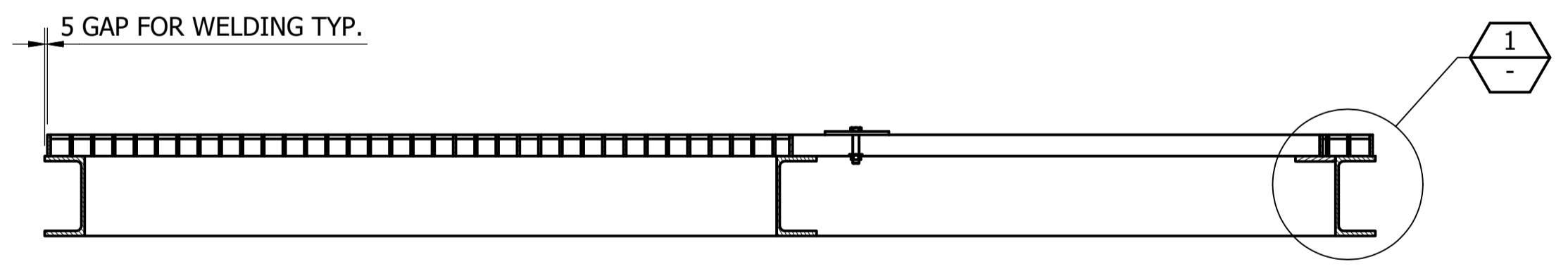
DRAWING STATUS	
Current	
SD-8270-C	
A1	ISSUE B
© Icon Water 2017	



DETAIL 1
EYE BOLT RECIEVER
FOR LIFTING
 (GRATING OMMITED FOR CLARITY)
 SCALE: 1 : 2



PLAN
GRATING PANNEL
 SCALE: 1 : 10



SECTION A-A
"DROP IN" PIT COVER - FRAME
 (GRATING OMMITED FOR CLARITY)
 REFER GRATING DETAIL)
 SCALE: 1 : 10

MATERIAL: CARBON STEEL
COATING: HOT DIP GALVANISED
FINISH COLOUR: N/A
MASS: 550 kg W/O HATCH

MEMBER SCHEDULE		
MARK	DESCRIPTION	SECTION
F1	OUTER FRAME	150 PFC
C1	CROSS MEMBER	150 PFC
T1	HATCH TRIMMER	150 PFC
T2	HATCH TRIMMER	75 x 10 FL
WG1	WEBFORGE GRATING	C405MPU

DIMENSION VARIABLES		
DIMENSION	INCLINED LADDER	VERTICAL LADDER
A	1300	1000
B	900	900
C	1415	1115
D	990	990

NOTES:

1. MAXIMUM SPAN TO SUIT "WEBFORGE" C405 GRATING, IF DIM IS >1500 mm ADDITIONAL CROSS MEMBER(S) REQUIRED.
2. MAXIMUM LENGTH TO BE DETERMINED BY DESIGN ENGINEER.
3. LADDER HATCH FIXING HOLE LOCATIONS ARE DEPENDED ON HATCH TYPE. LOCATIONS TO BE CONFIRMED PRIOR TO FABRICATION.

ITEM	AMDT.
PN827101	

No.	ISSUE	DATE	DRAWN	CHECKED	AUTHORISED
A	INITIAL ISSUE	15/06/2018	M. Matusiak	K. Danenbergsons	D. Eager

ASSET AREA APPLICABILITY					
DAM	<input checked="" type="checkbox"/>	RES	<input checked="" type="checkbox"/>	SPS	<input type="checkbox"/>
BWS	<input checked="" type="checkbox"/>	WAT	<input checked="" type="checkbox"/>	STP	<input type="checkbox"/>
WTP	<input checked="" type="checkbox"/>	SEW	<input type="checkbox"/>		
WPS	<input checked="" type="checkbox"/>	REC	<input checked="" type="checkbox"/>		



STANDARD DRAWING
ACCESS COVERS - HOT DIP GALVANISED STEEL
DROP IN FRAME
DETAILS

DRAWING STATUS	
Current	
SD-8271-C	
A1	ISSUE A

1 2 3 4 5 6 7 8 9 10 11 12

PARTS LIST		
PART NUMBER	DESCRIPTION	REFERENCE
PN827401	GRATED HATCH FRAME	SD-8274
PN827501	GRATED HATCH	SD-8275
PN827502	GRATED HATCH W/ KEEPER PLATE RIGHT	SD-8275
PN827503	GRATED HATCH W/ KEEPER PLATE LEFT	SD-8275
PN827504	GRATED HATCH W/ KEEPER PLATE LEFT AND LOCKING LUG	SD-8275
PN828103	CENTRE SUPPORT	SD-8281
PN826302	FOLD FLAT HINGE	SD-8263

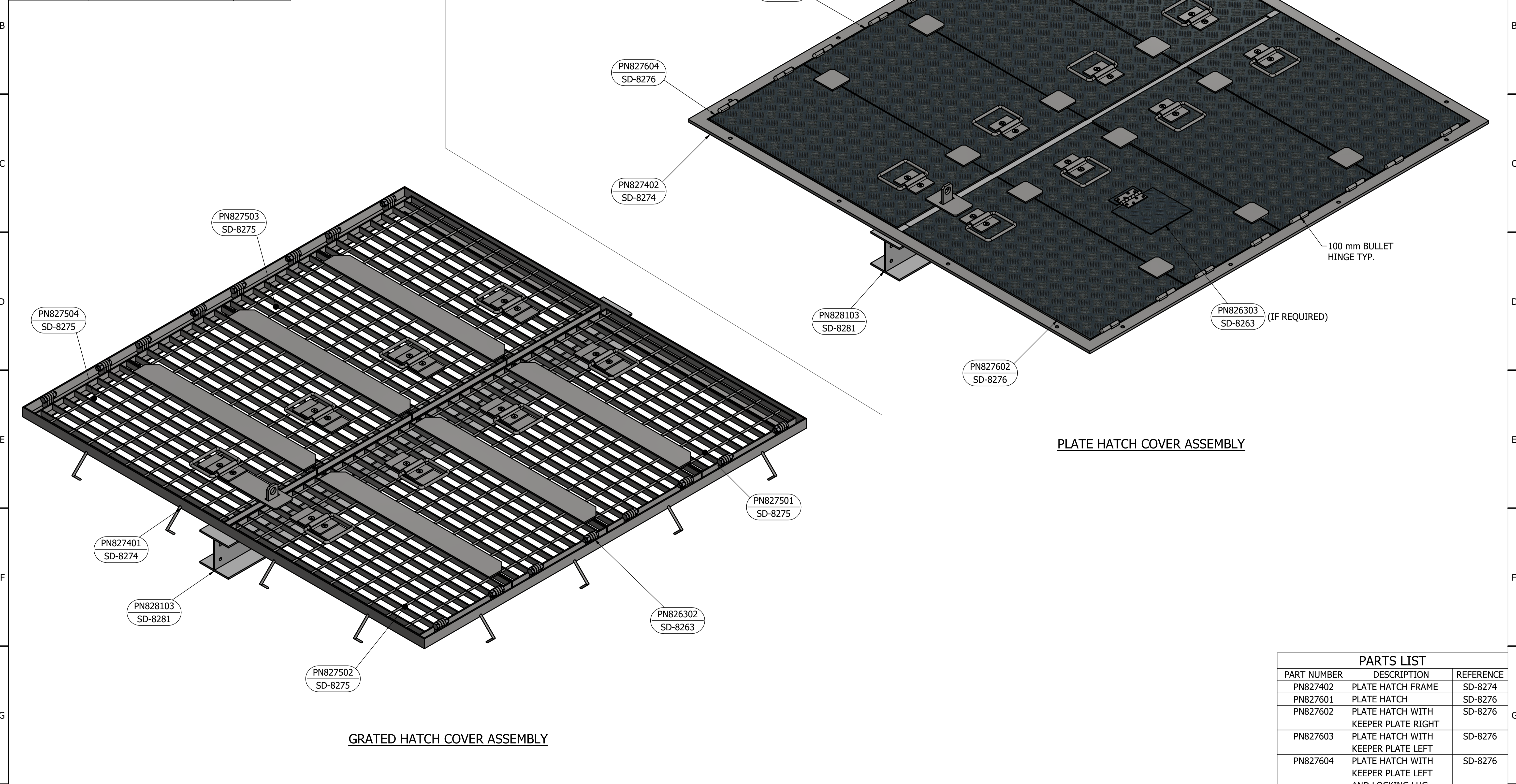


PLATE HATCH COVER ASSEMBLY

GRATED HATCH COVER ASSEMBLY

PARTS LIST		
PART NUMBER	DESCRIPTION	REFERENCE
PN827402	PLATE HATCH FRAME	SD-8274
PN827601	PLATE HATCH	SD-8276
PN827602	PLATE HATCH WITH KEEPER PLATE RIGHT	SD-8276
PN827603	PLATE HATCH WITH KEEPER PLATE LEFT	SD-8276
PN827604	PLATE HATCH WITH KEEPER PLATE LEFT AND LOCKING LUG	SD-8276
PN828103	CENTRE SUPPORT	SD-8281
PN826303	INSPECTION HATCH	SD-8263

ITEM	AMDT.
PN827301	

ITEM	AMDT.
PN827302	

A	INITIAL ISSUE	15/06/2018	S. Essery	K. Danenbergsons	D. Eager
No.	ISSUE	DATE	DRAWN	CHECKED	AUTHORISED

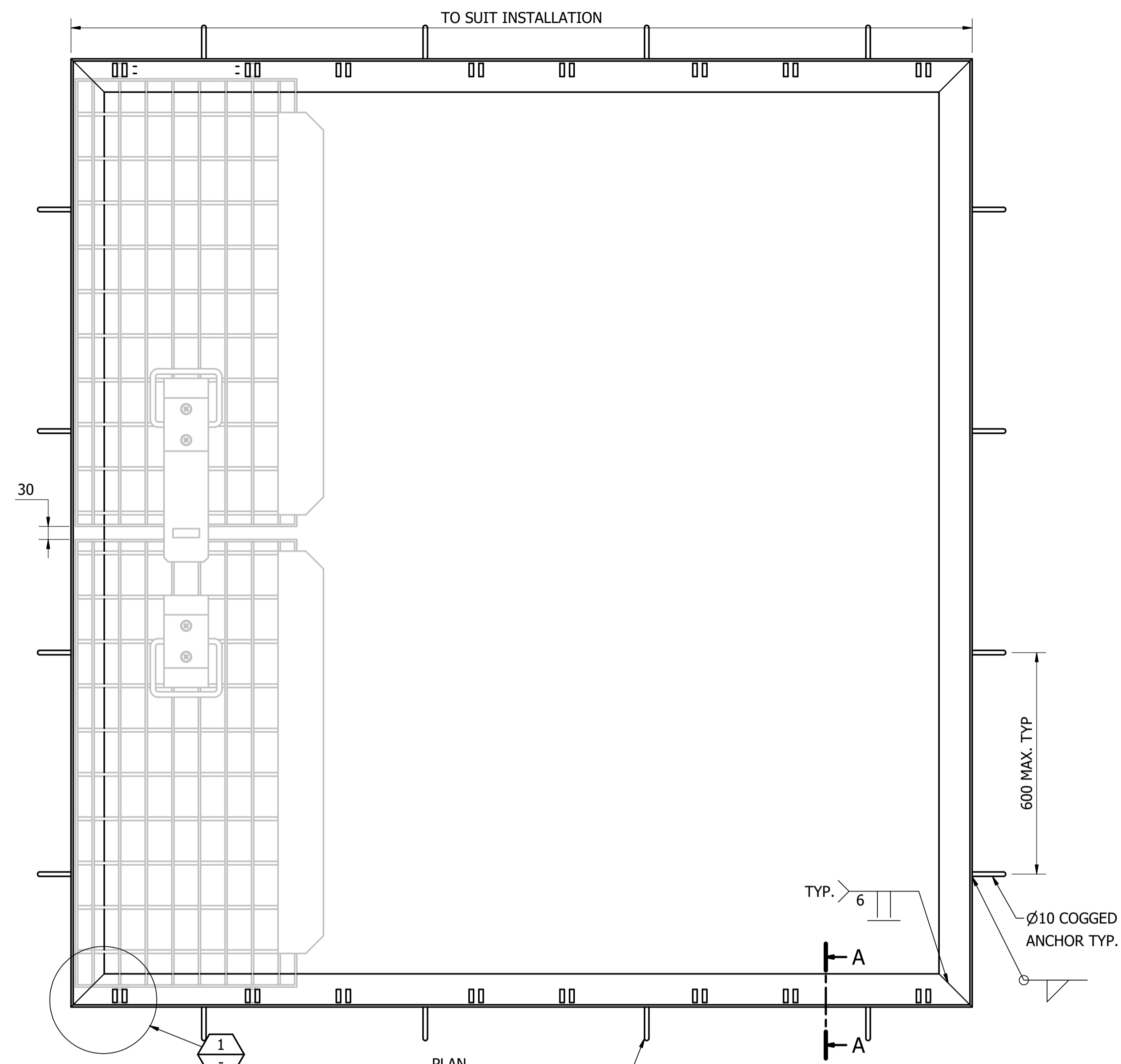
DAM	<input checked="" type="checkbox"/>	RES	<input checked="" type="checkbox"/>	SPS	<input checked="" type="checkbox"/>
BWS	<input checked="" type="checkbox"/>	WAT	<input checked="" type="checkbox"/>	STP	<input checked="" type="checkbox"/>
WTP	<input checked="" type="checkbox"/>	SEW	<input checked="" type="checkbox"/>		
WPS	<input checked="" type="checkbox"/>	REC	<input checked="" type="checkbox"/>		
ASSET AREA APPLICABILITY					



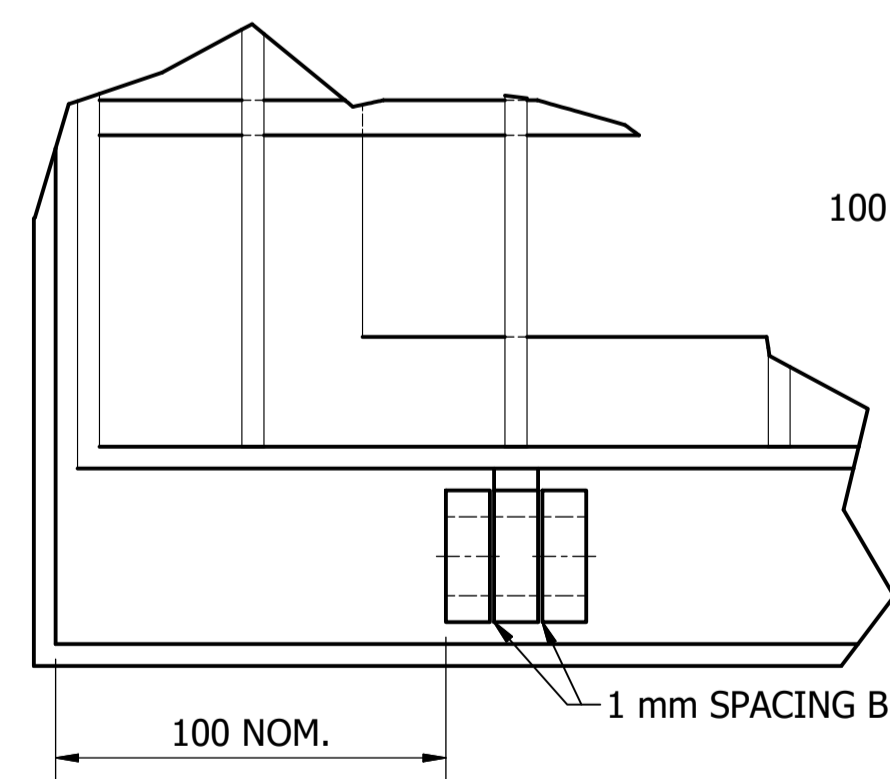
STANDARD DRAWING
ACCESS COVERS - HOT DIP GALVANISED STEEL
FIXED FRAME (FOLD FLAT) COVER
TYPICAL ARRANGEMENTS

DRAWING STATUS
Current
SD-8273-C
© Icon Water 2017
ISSUE **A**

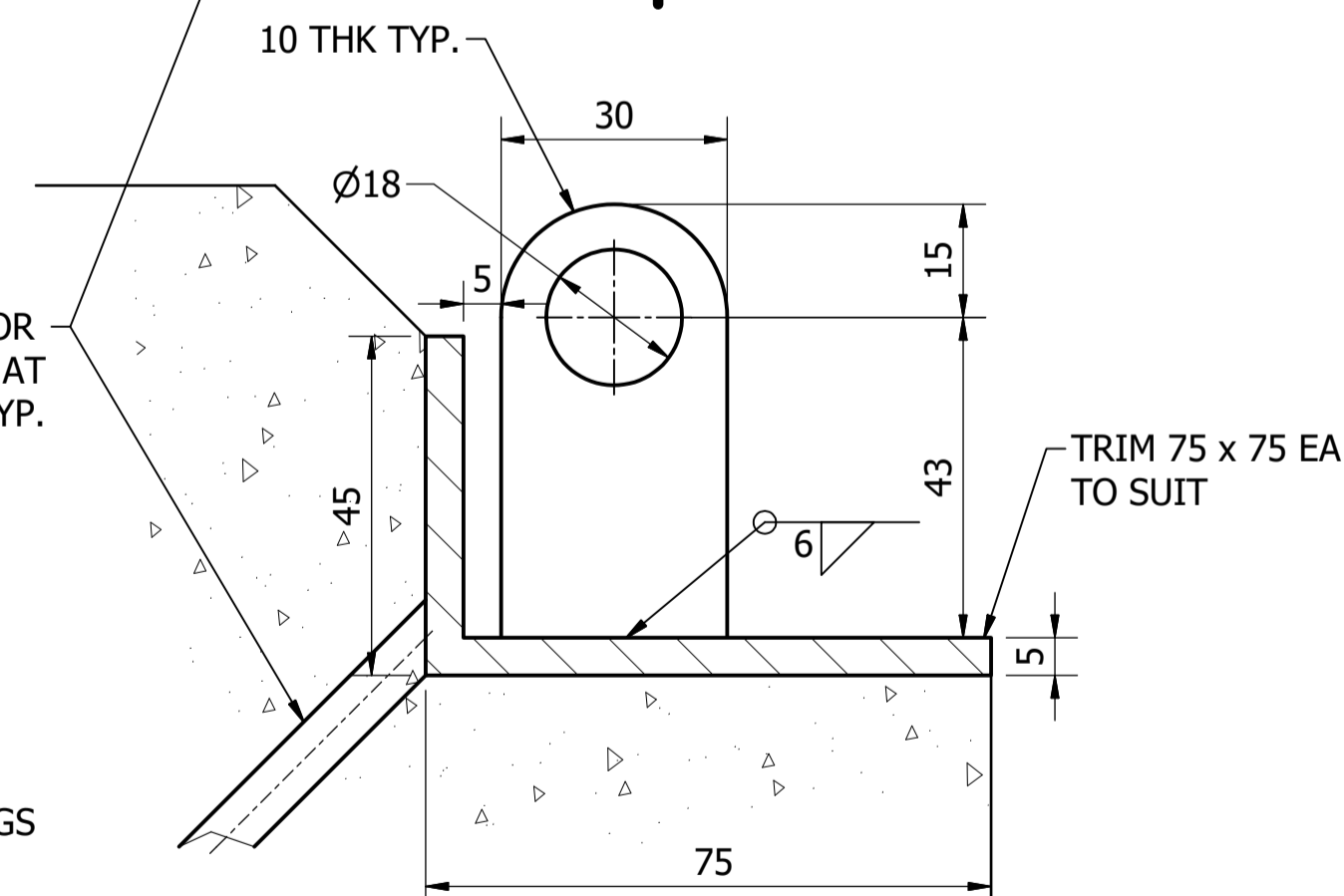
1 2 3 4 5 6 7 8 9 10 11 12



PLAN

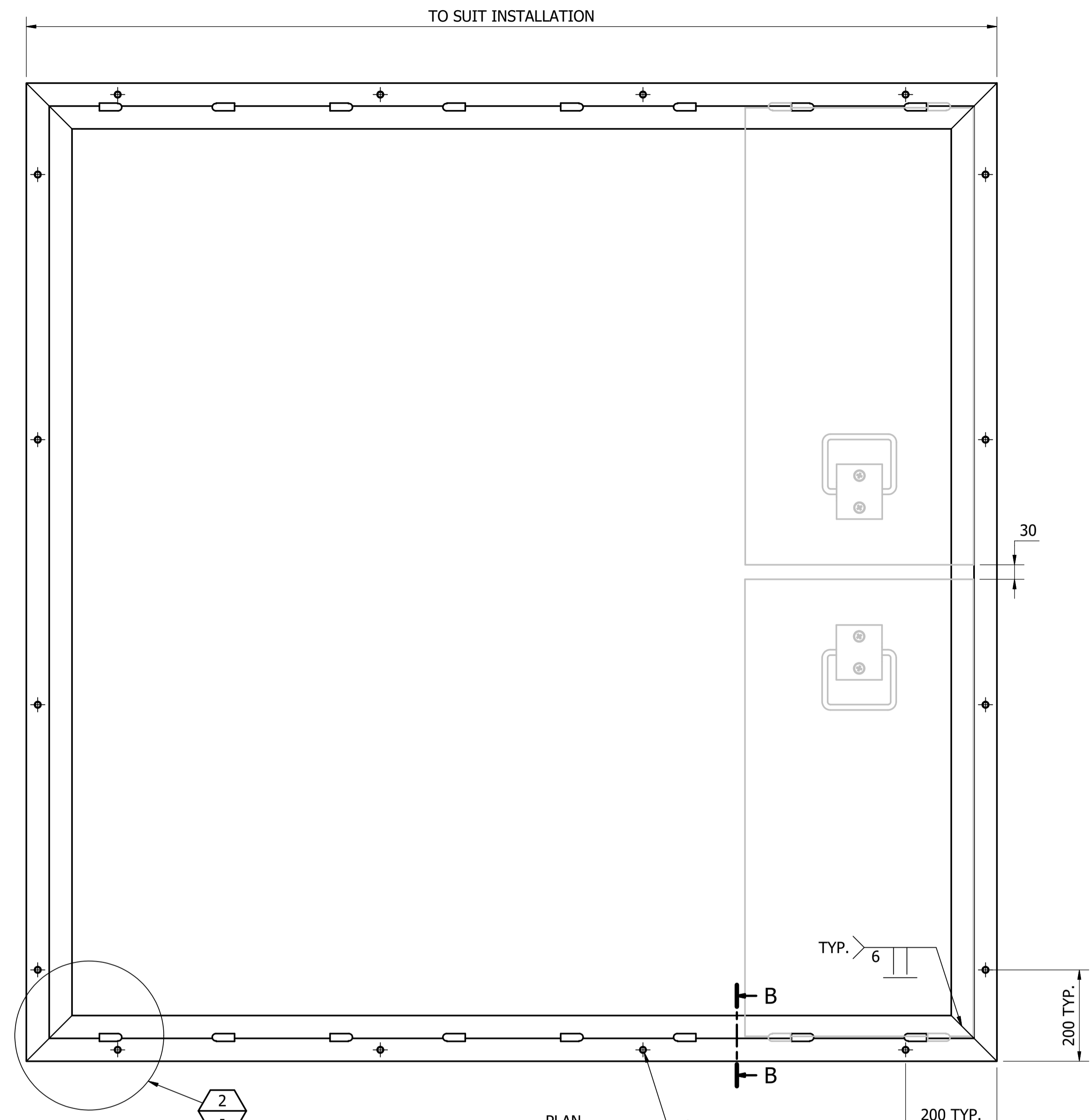


DETAIL 1

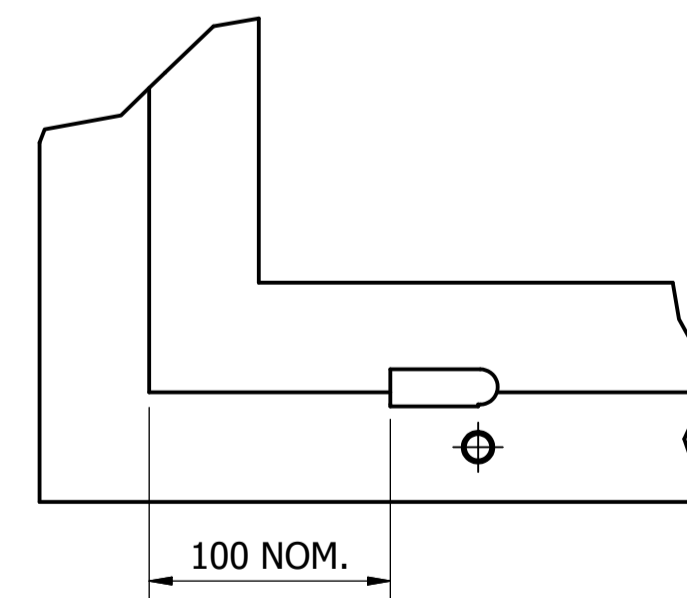


SECTION A-A
HINGE TAB

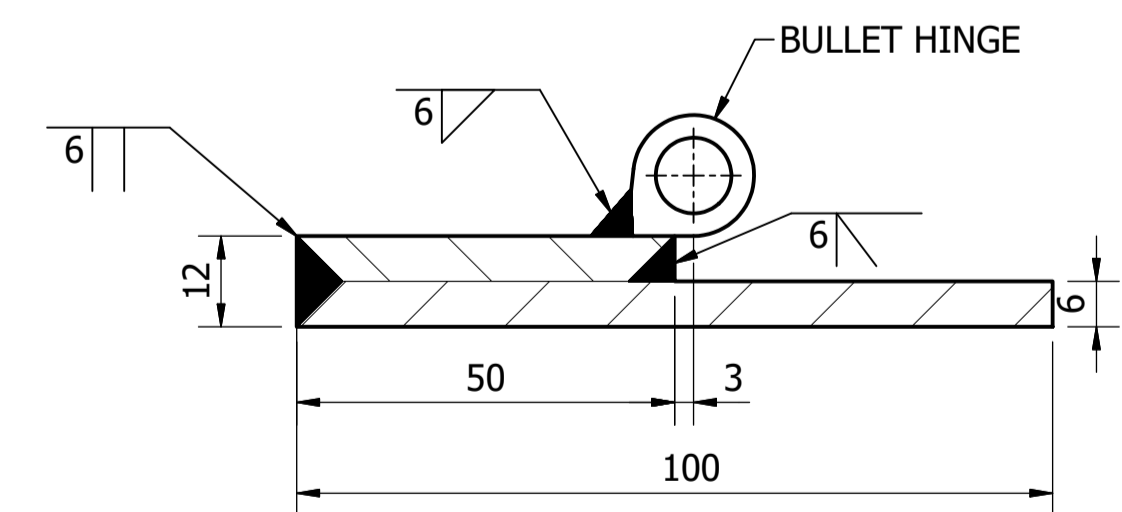
GRATE STYLE HATCH FRAME



PLAN



DETAIL 2



SECTION B-B

PLATE STYLE HATCH FRAME

ITEM	AMDT.
PN827401	

No.	ISSUE	DATE	DRAWN	CHECKED	AUTHORISED
A	INITIAL ISSUE	15/06/2018	S. Essery	K. Danenbergson	D. Eager

ASSET AREA APPLICABILITY				
DAM	RES	SPS	WAT	STP
BWS	WAT	STP	WTP	SEW
WPS	REC			

ITEM	AMDT.
PN827402	



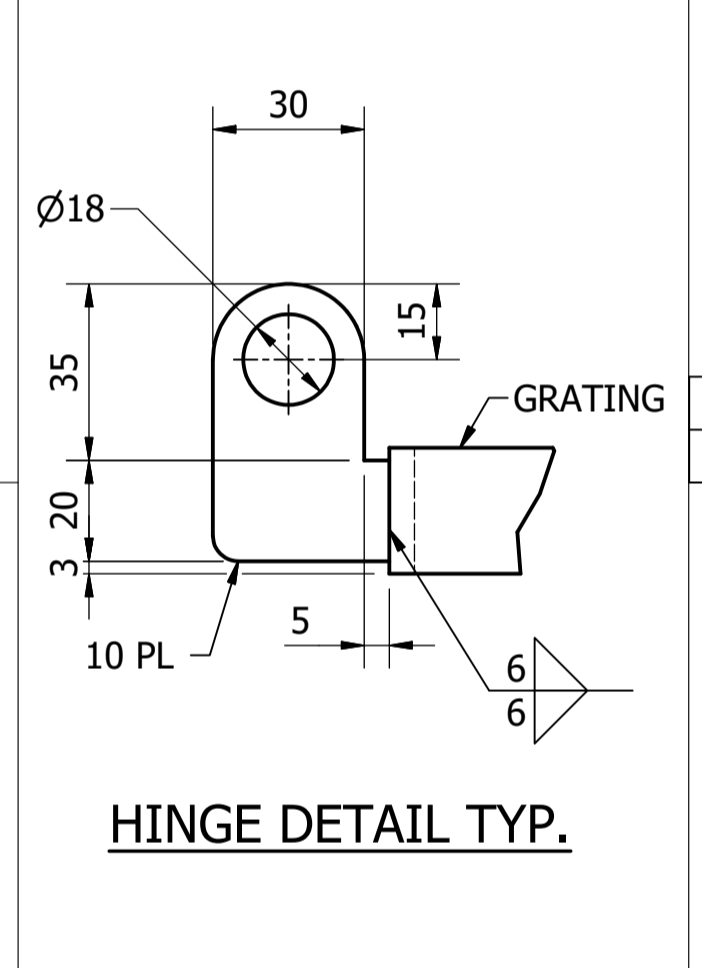
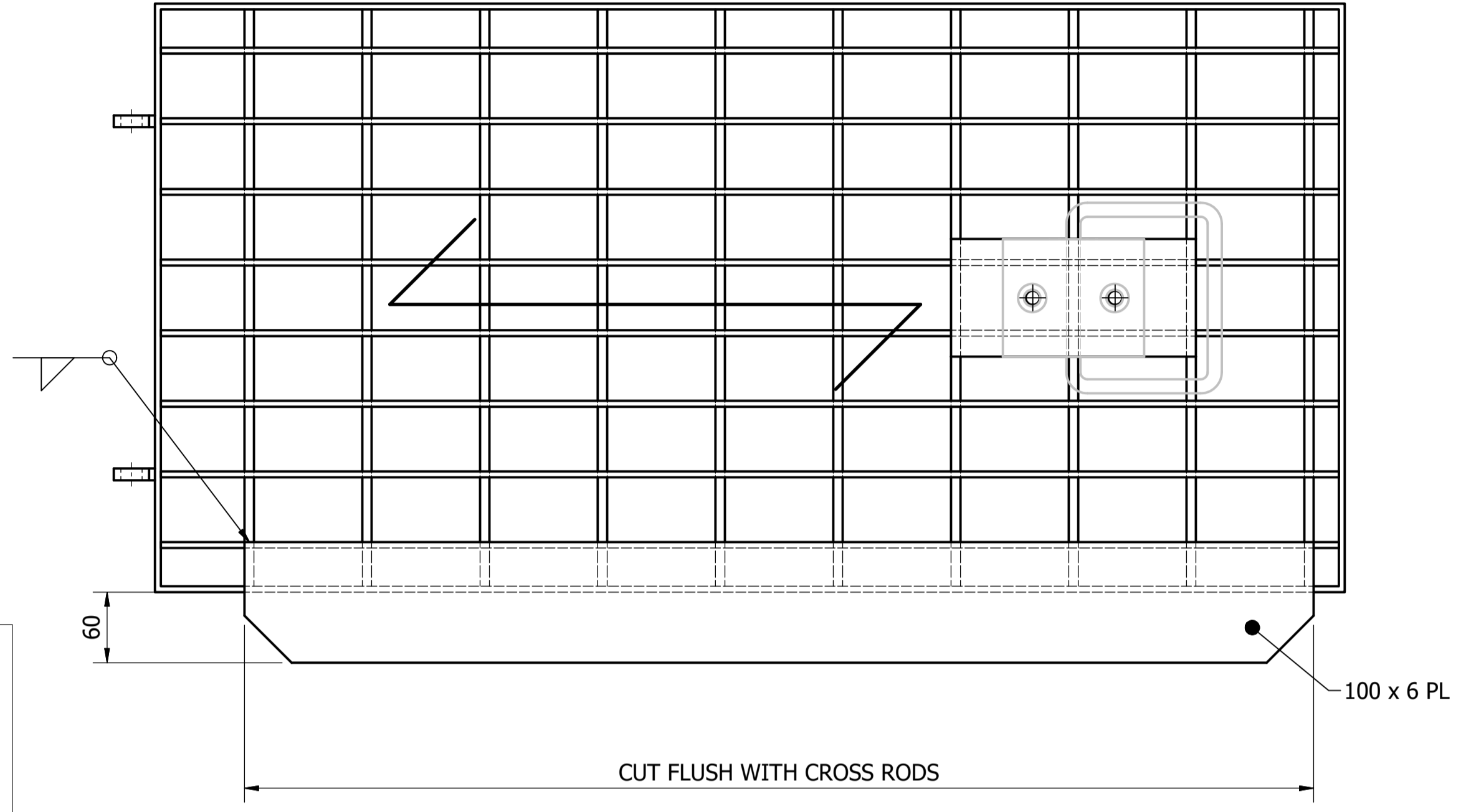
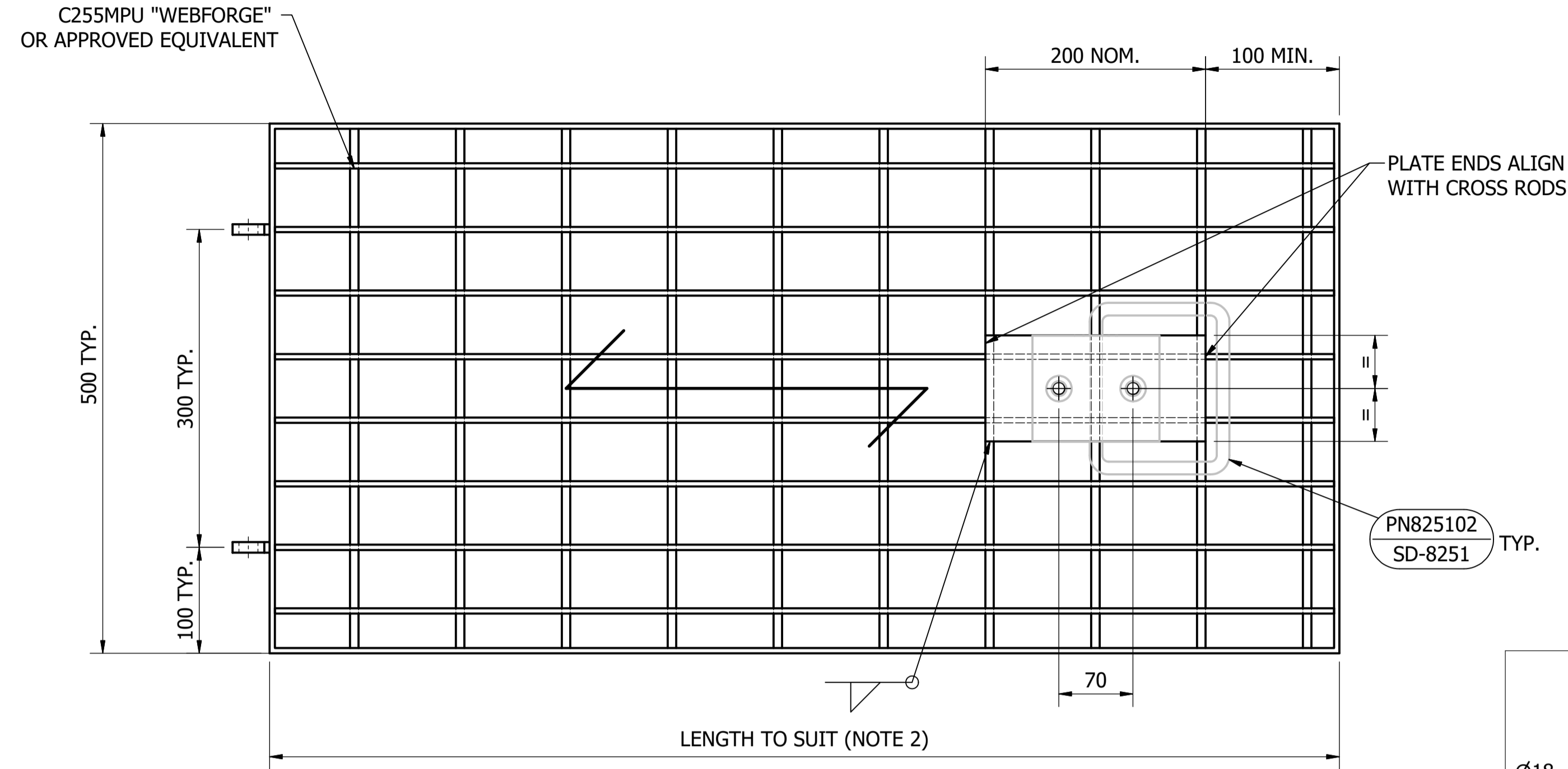
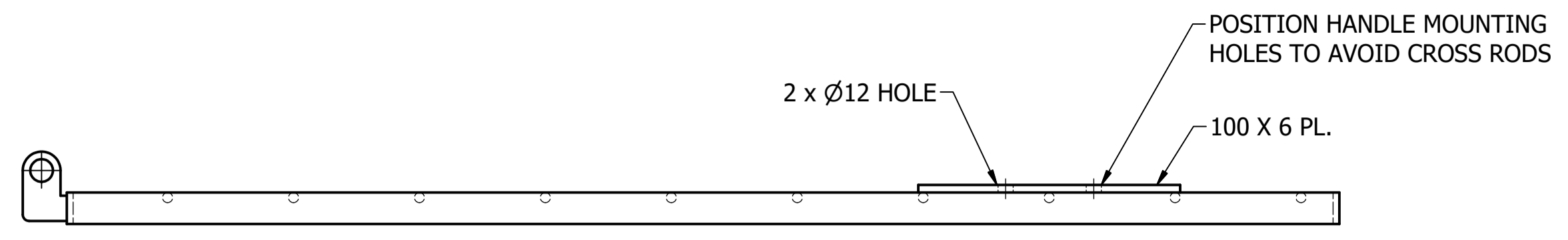
STANDARD DRAWING
ACCESS COVERS - HOT DIP GALVANISED STEEL
FIXED FRAME (FOLD FLAT) COVER
FRAME DETAILS

DRAWING STATUS
Current
SD-8274-C
© Icon Water 2017

ISSUE
A

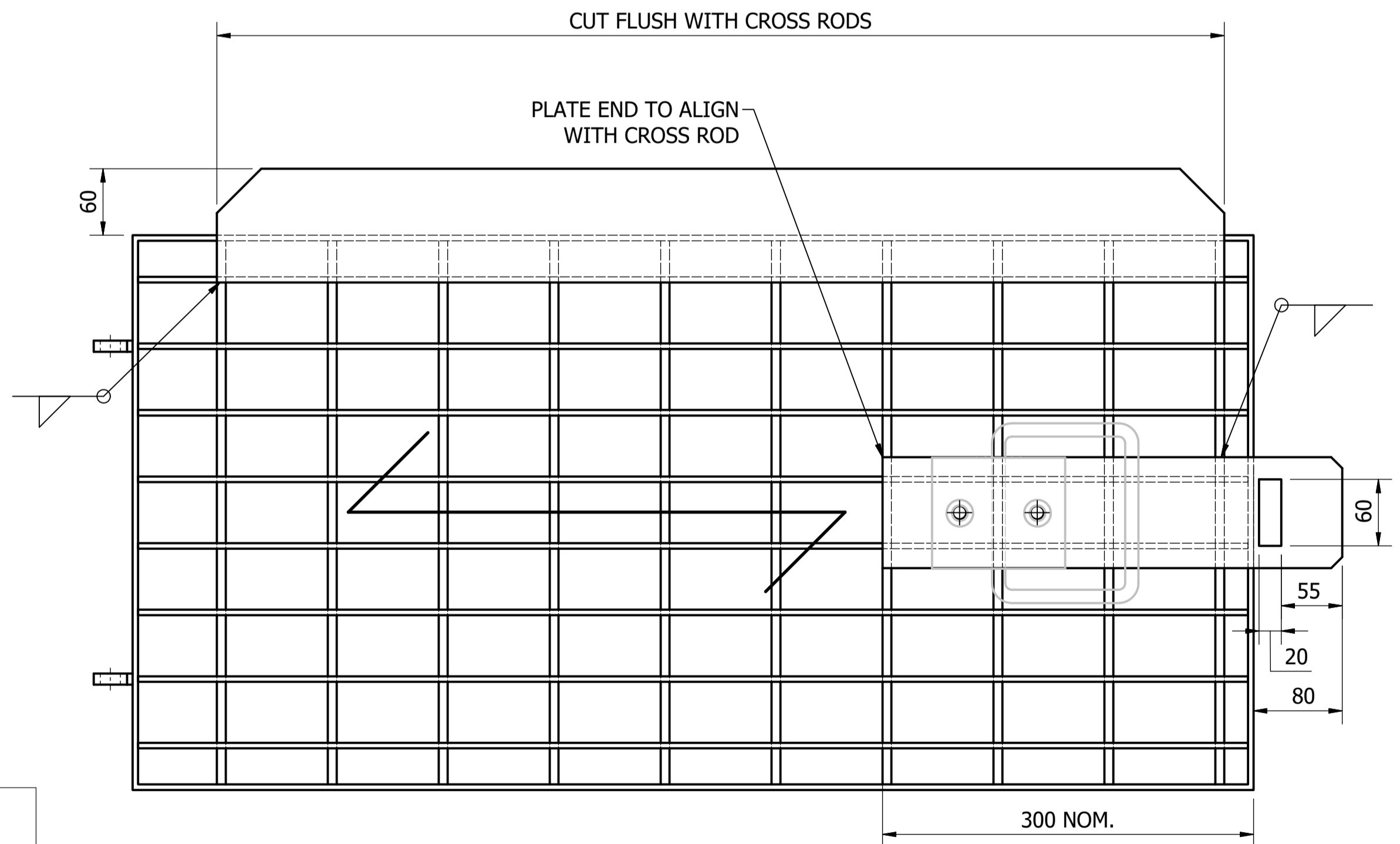
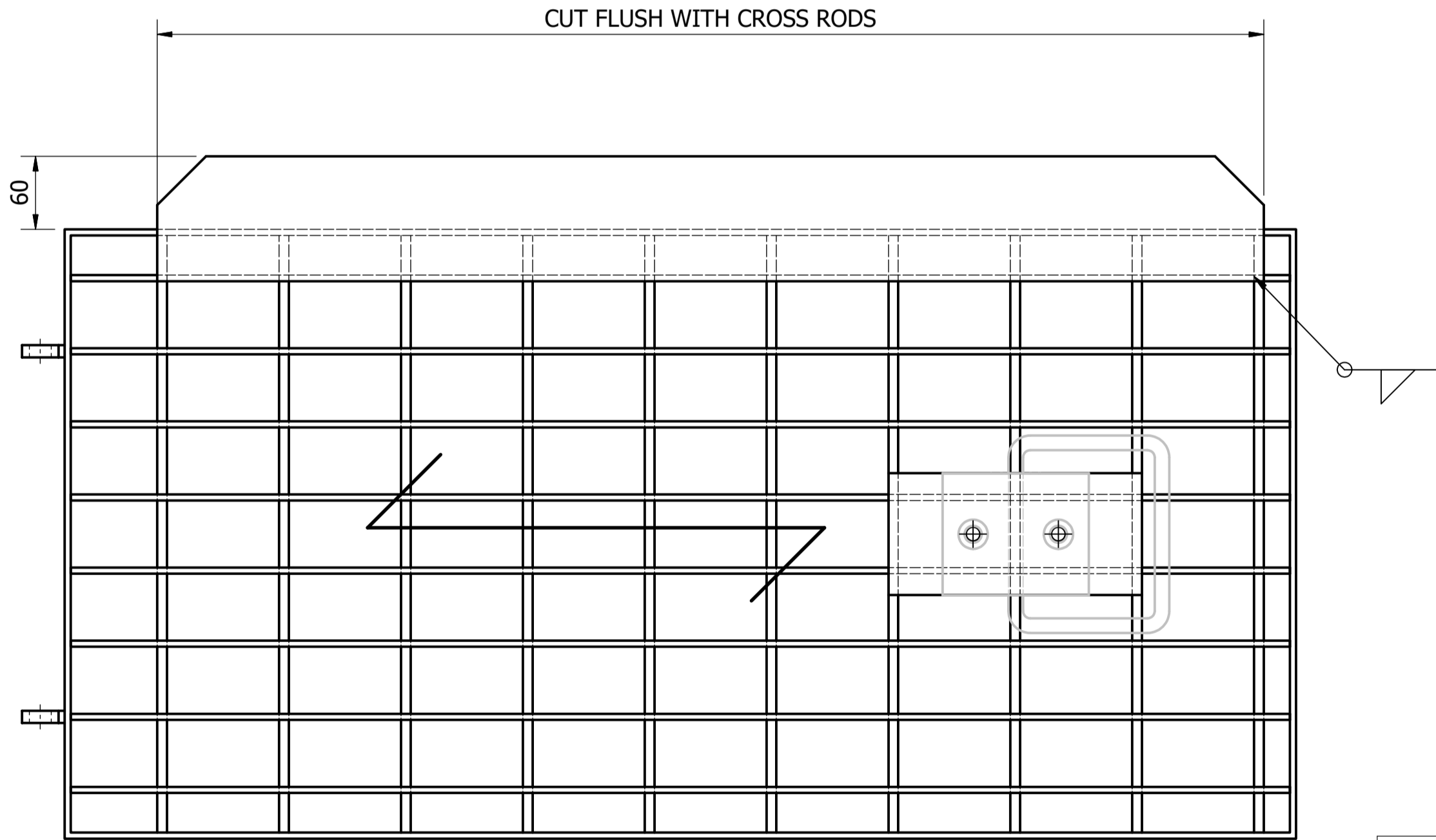
1 2 3 4 5 6 7 8 9 10 11 12

A B C D E F G H



ITEM	AMDT.
PN827501	

ITEM	AMDT.
PN827502	



ITEM	AMDT.
PN827503	

ITEM	AMDT.
PN827504	

NOTES:
 1. GRATES TO BE HOT DIP GALVANISED AFTER FABRICATION.
 2. MAXIMUM LENGTH OF THE PANEL IS BASED ON THE PANEL WEIGHT, WHICH MUST NOT EXCEED 20 kg.

ASSET AREA APPLICABILITY				
DAM	RES	SPS		
BWS	WAT	STP		
WTP	SEW			
WPS	REC			

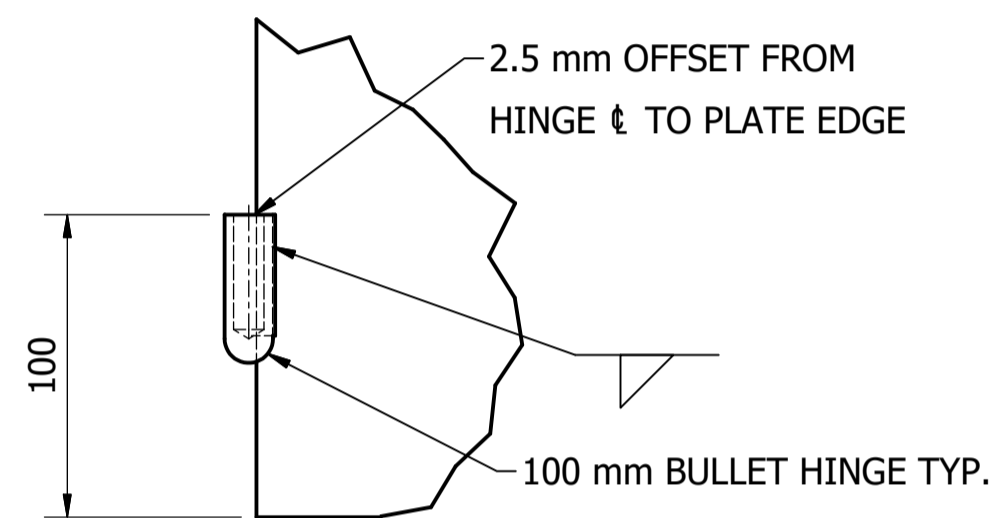
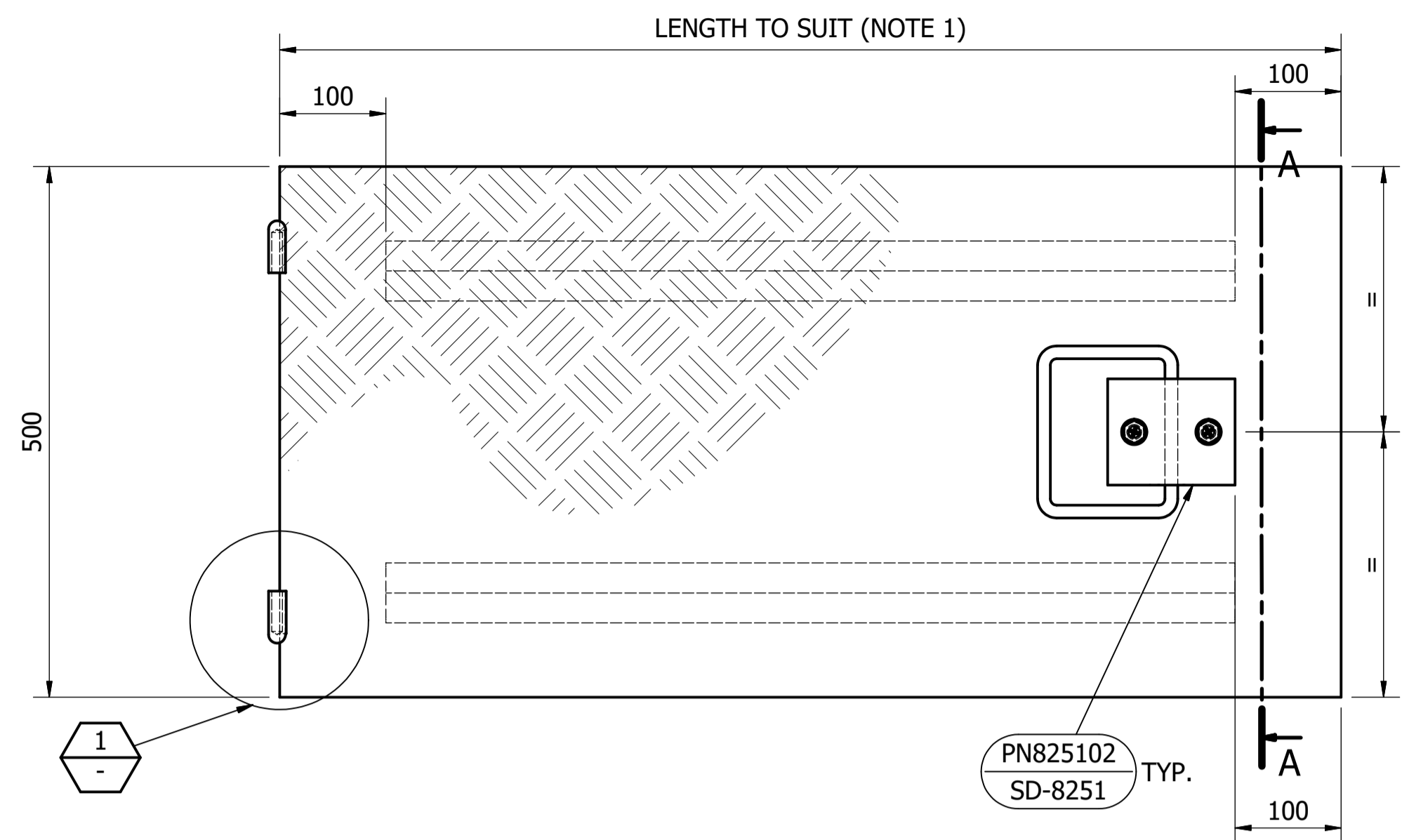


STANDARD DRAWING
 ACCESS COVERS - HOT DIP GALVANISED STEEL
 FIXED FRAME (FOLD FLAT) COVER
 HINGED HATCH - GRATED
 DETAILS

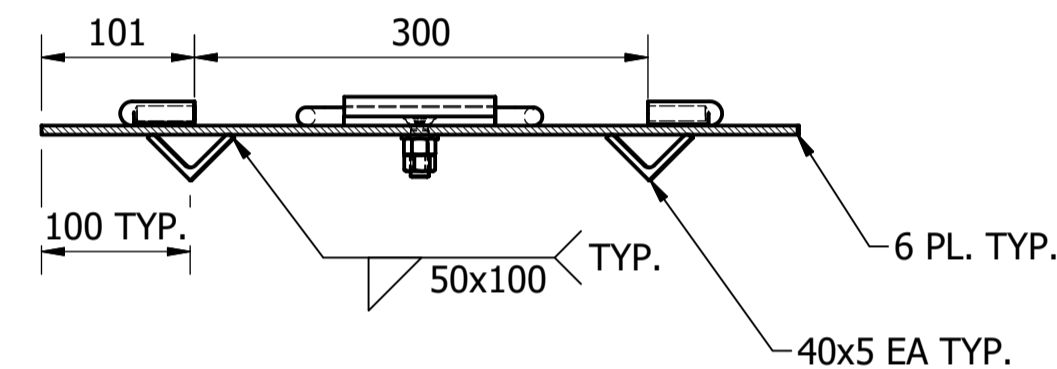
DRAWING STATUS
Current
SD-8275-C
 © Icon Water 2017
 ISSUE B

No.	ISSUE	DATE	DRAWN	CHECKED	AUTHORISED
A	INITIAL ISSUE	15/06/2018	S. Essery	K. Danenbergsons	D. Eager
B	PANEL LENGTH NOTE ADDED	10/12/2018	S. Essery	K. Danenbergsons	C. Patrick

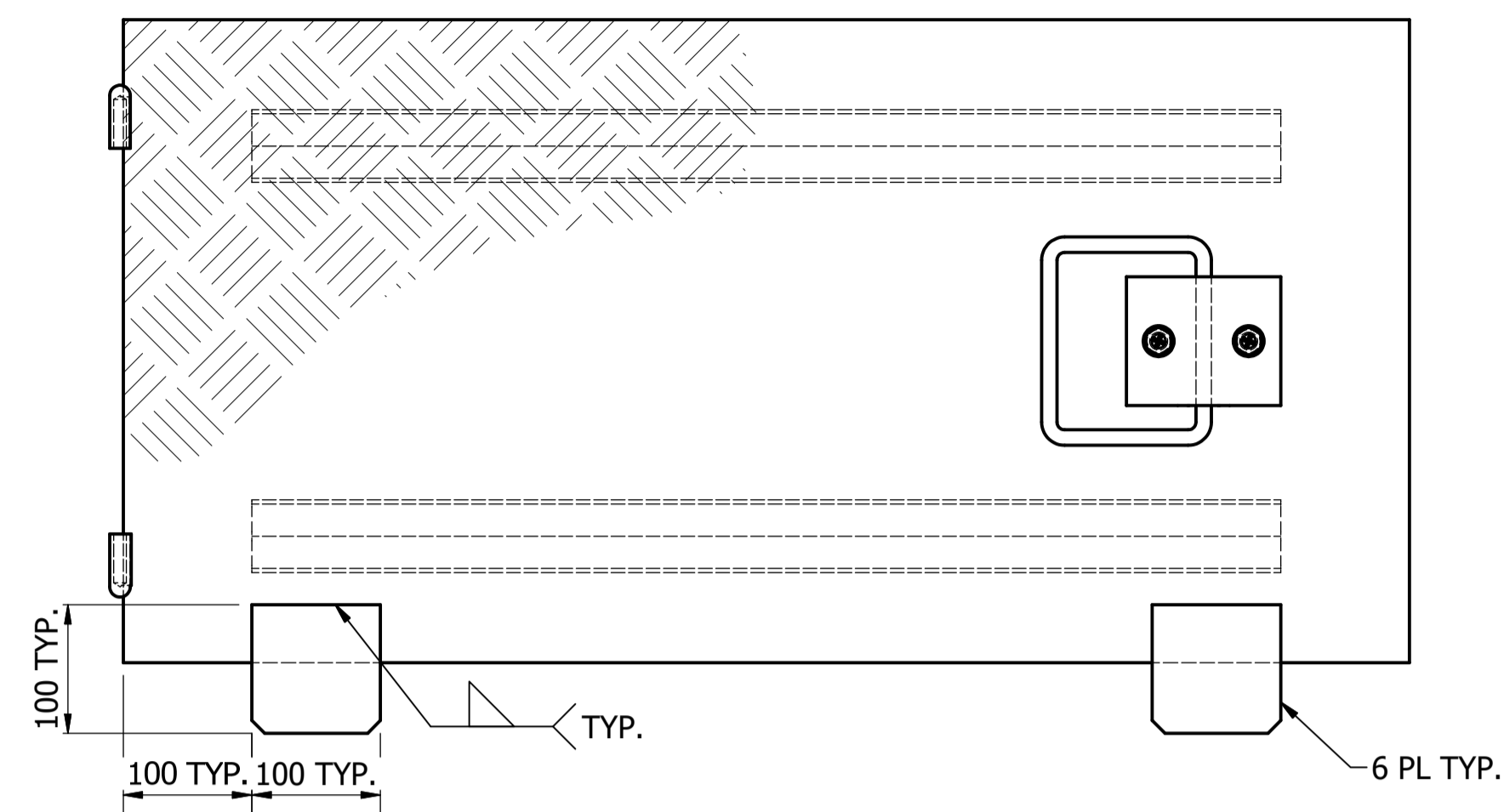
1 2 3 4 5 6 7 8 9 10 11 12



DETAIL 1
HINGE



SECTION A-A
SCALE: 1 : 5

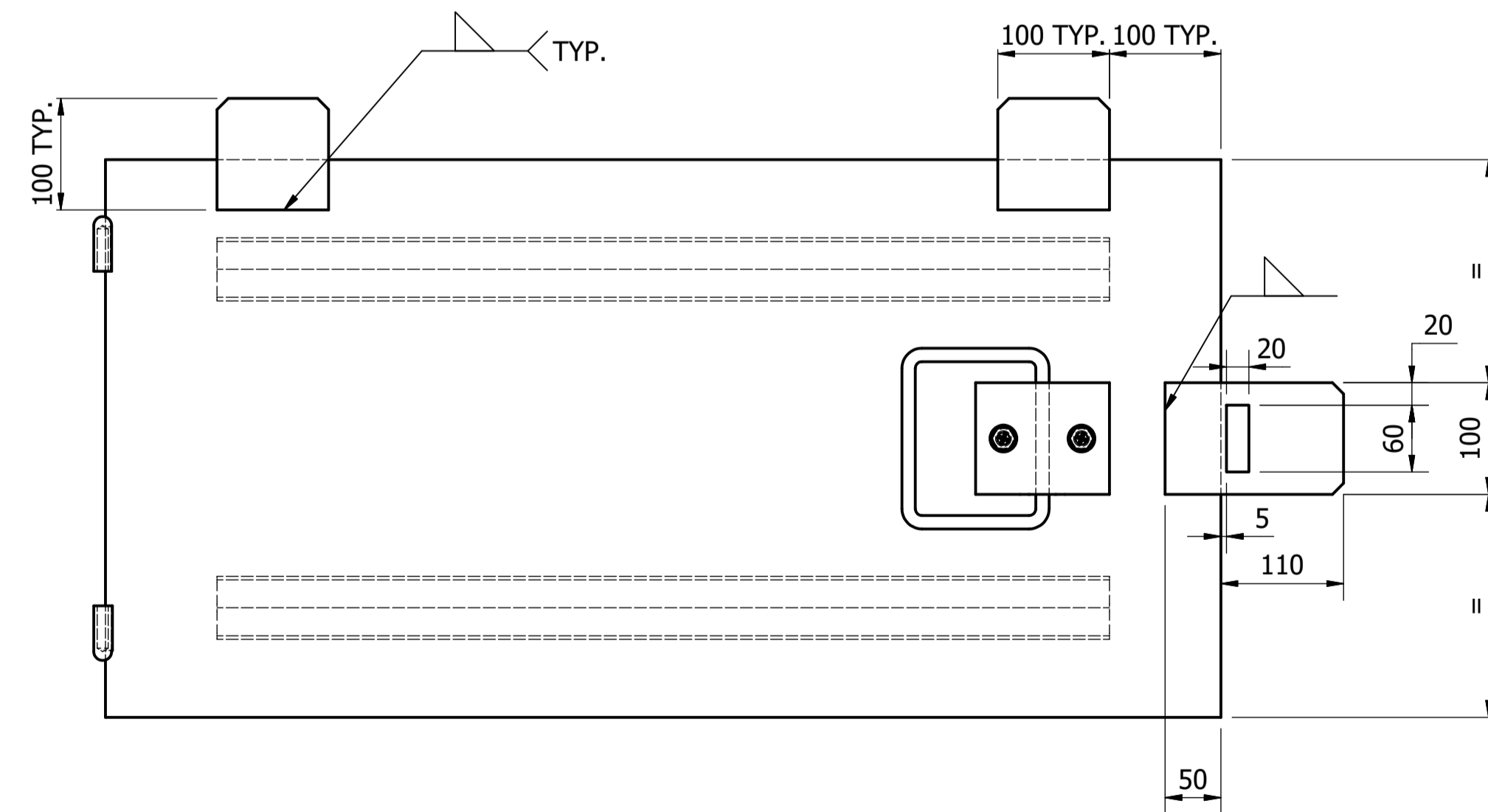
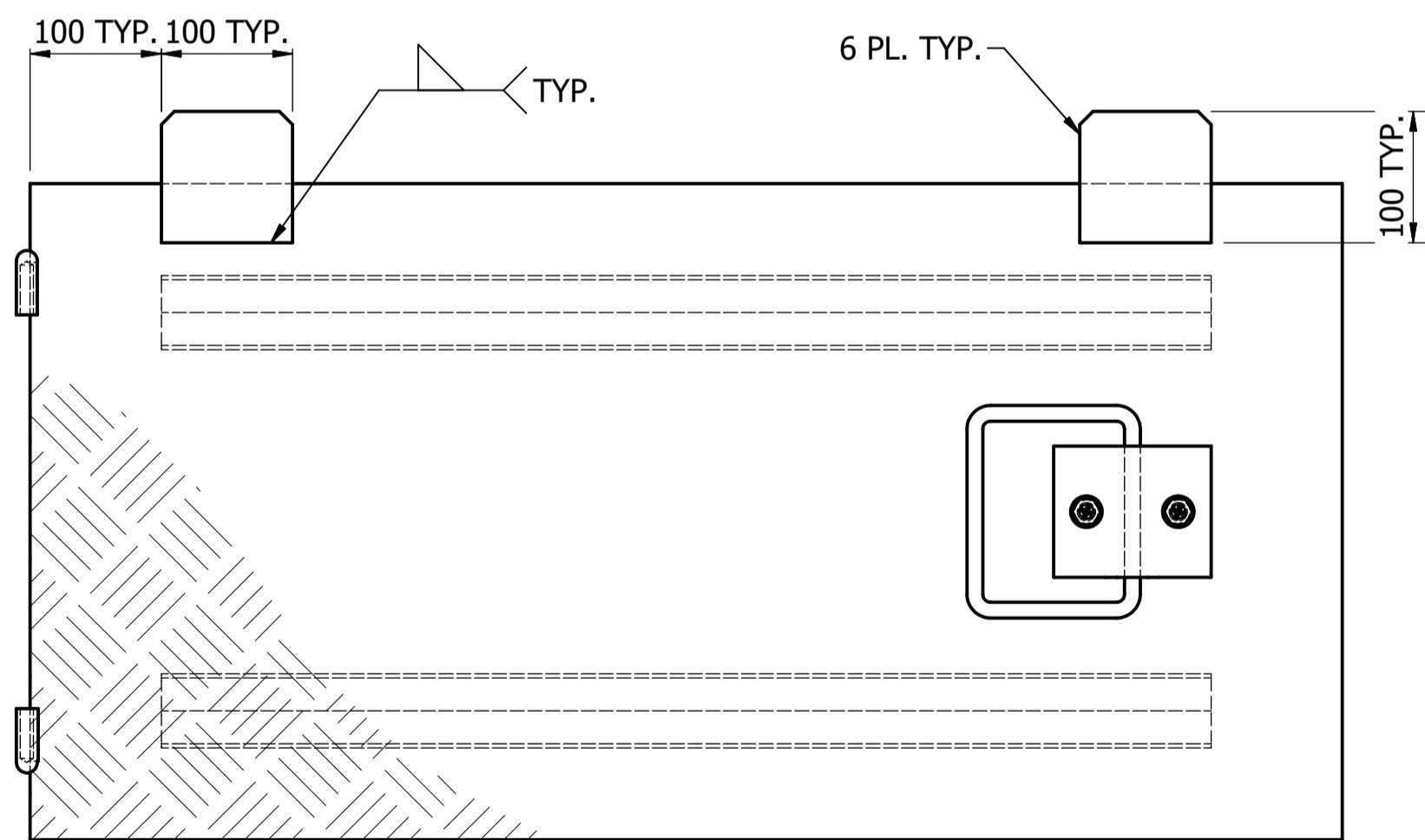


ITEM	AMDT.
PN827601	

ITEM	AMDT.
PN827602	

NOTES:

1. MAXIMUM LENGTH OF THE PANEL IS BASED ON THE PANEL WEIGHT, WHICH MUST NOT EXCEED 20 kg.



ITEM	AMDT.
PN827603	

ITEM	AMDT.
PN827604	

ASSET AREA APPLICABILITY				
DAM	RES	SPS		
BWS	WAT	STP		
WTP	SEW			
WPS	REC			



STANDARD DRAWING
ACCESS COVERS - HOT DIP GALVANISED STEEL
FIXED FRAME (FOLD FLAT) COVER
HINGED HATCH - PLATE
DETAILS

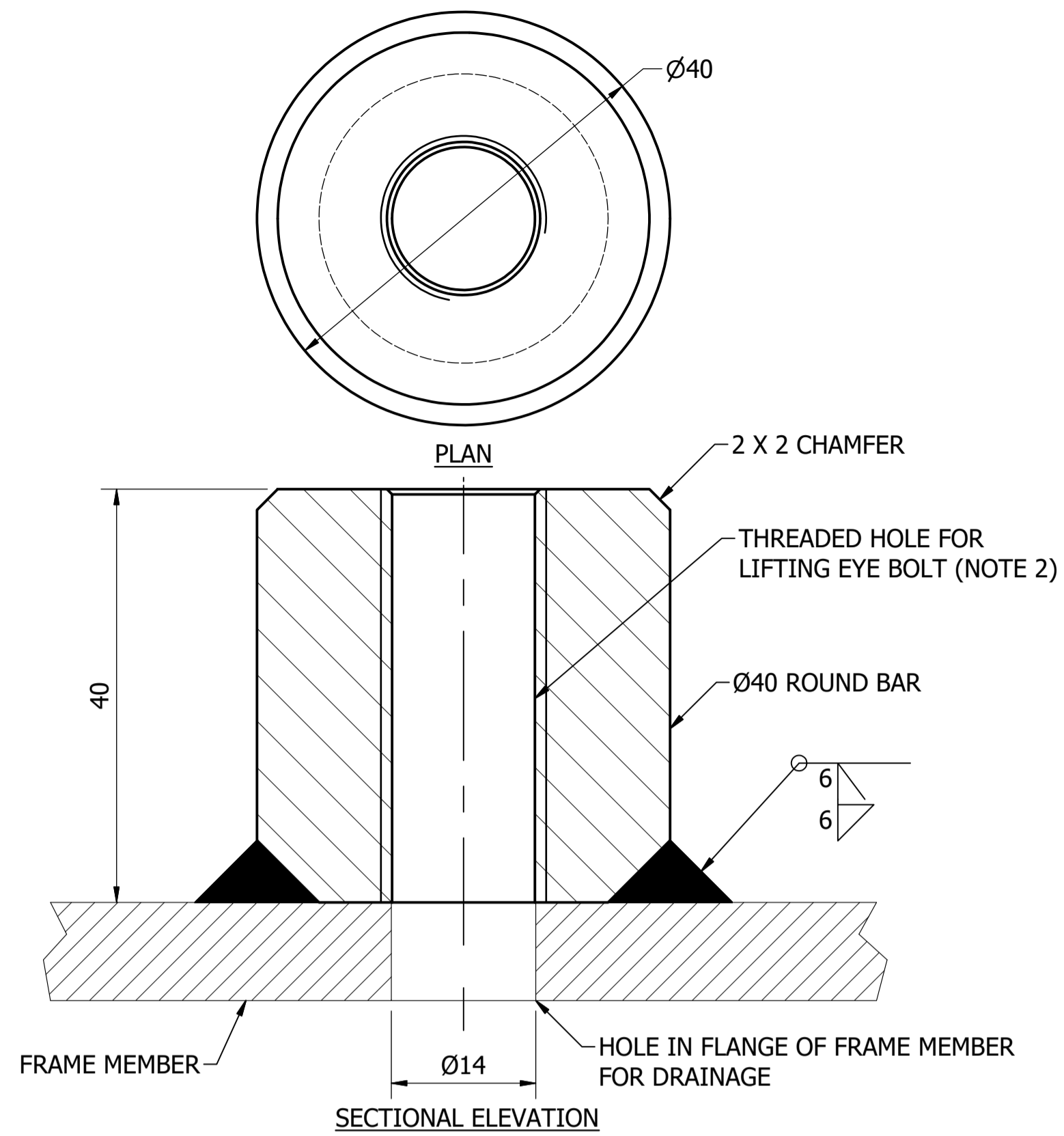
DRAWING STATUS
Current

SD-8276-C

© Icon Water 2017

ISSUE
B

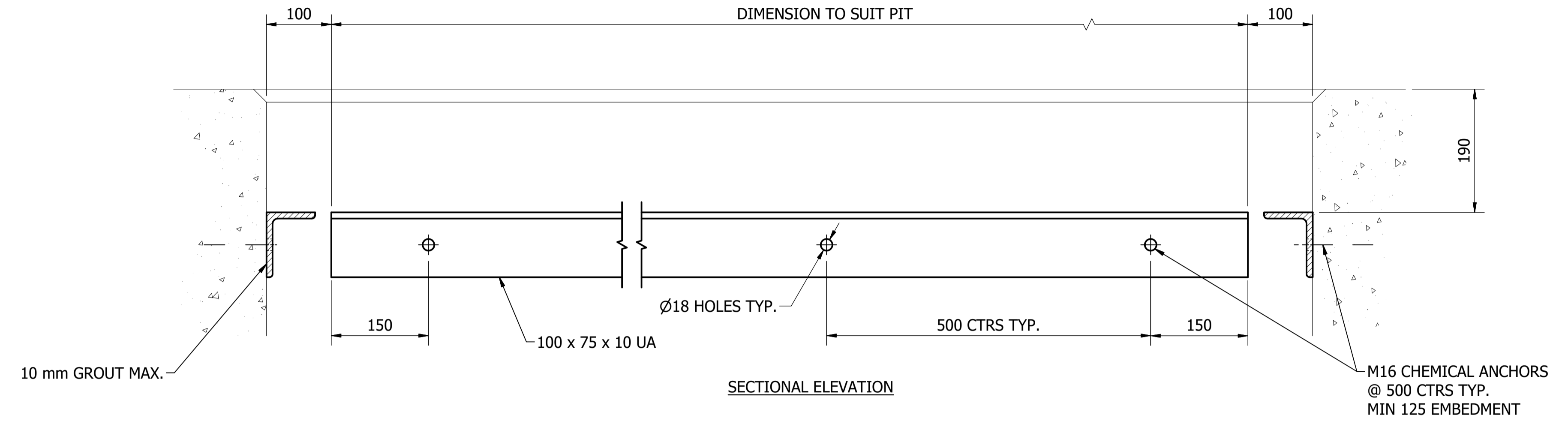
No.	ISSUE	DATE	DRAWN	CHECKED	AUTHORISED
A	INITIAL ISSUE	15/06/2018	S. Essery	K. Danenbergsons	D. Eager
B	PANEL LENGTH NOTE ADDED	10/12/2018	S. Essery	K. Danenbergsons	C. Patrick



EYE BOLT RECEIVER - LIFTING
SCALE: 2 : 1

MATERIAL: CARBON STEEL
COATING: HOT DIP GALVANISED (AS PART OF FINAL ASSEMBLY)
FINISH COLOUR: N/A
MASS: 0.5 kg

ITEM	AMDT.
PN828101	



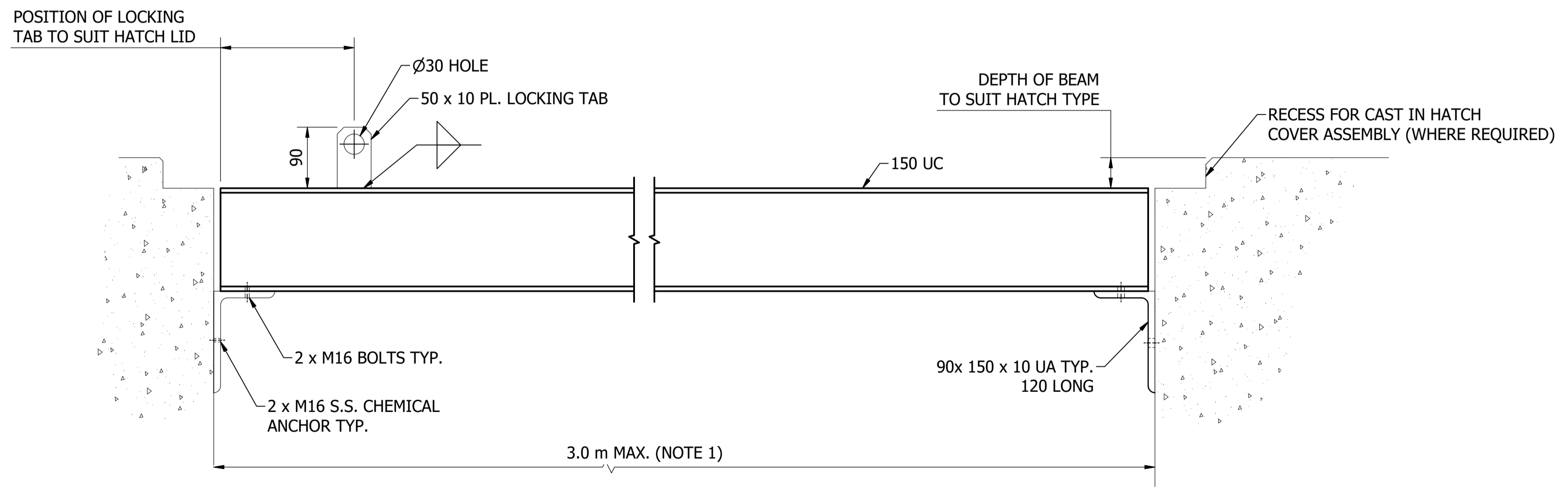
DROP-IN COVER - FRAME SUPPORT ANGLE
DETAILS AND INSTALLATION
SCALE: 1 : 5

MATERIAL: CARBON STEEL
COATING: HOT DIP GALVANISED
FINISH COLOUR: N/A
MASS: VARIES

ITEM	AMDT.
PN828102	

NOTES:

1. THE CENTRE SUPPORT BEAM AND T-CLEAT DETAIL SHOWN SHALL ONLY BE USED FOR THE MAX. SPAN GIVEN UNLESS PROJECT SPECIFIC DESIGN CALCULATIONS ARE CONDUCTED BY A SUITABLY QUALIFIED/COMPETENT STRUCTURAL OR MECHANICAL ENGINEER.
2. EYE BOLT RECIEVER TO BE M16 COARSE THREAD AND IN ACCORDANCE WITH AS 2317.
3. ALL WELDS TO BE CATEGORY SP TO AS/NZS 1554. ELECTRODES TO BE "E43xx".



CENTRE SUPPORT BEAM
SCALE: 1 : 5

MATERIAL: CARBON STEEL
COATING: HOT DIP GALVANISED
FINISH COLOUR: N/A
MASS: APPROX. 50 kg @ 2 m LENGTH

ITEM	AMDT.
PN828103	

DAM	RES	SPS
BWS	WAT	STP
WTP	SEW	
WPS	REC	



STANDARD DRAWING
ACCESS COVERS - HOT DIP GALVANISED STEEL
DROP IN AND FIXED FRAME
STANDARD PARTS
DETAILS

DRAWING STATUS	
Current	
SD-8281-D	
A1	ISSUE A

No.	ISSUE	DATE	DRAWN	CHECKED	AUTHORISED
A	INITIAL ISSUE	15/06/2018	M. Matusiak	K. Danenbergsons	D. Eager