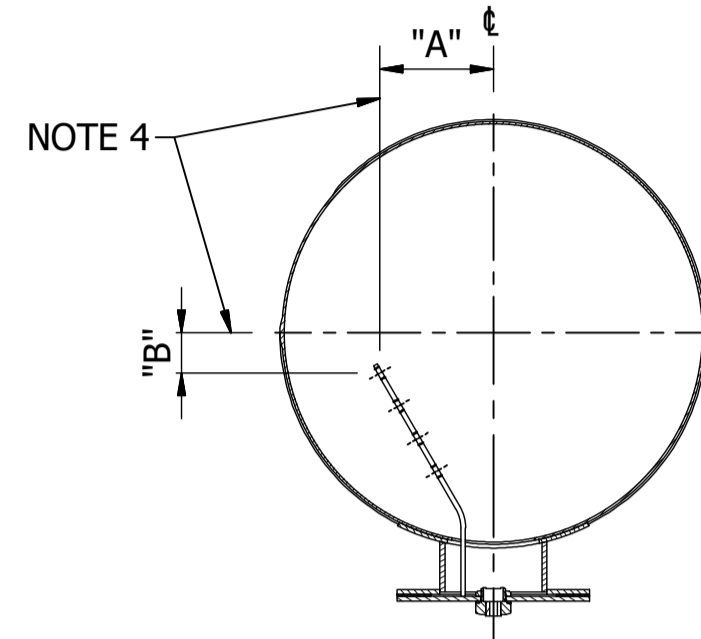
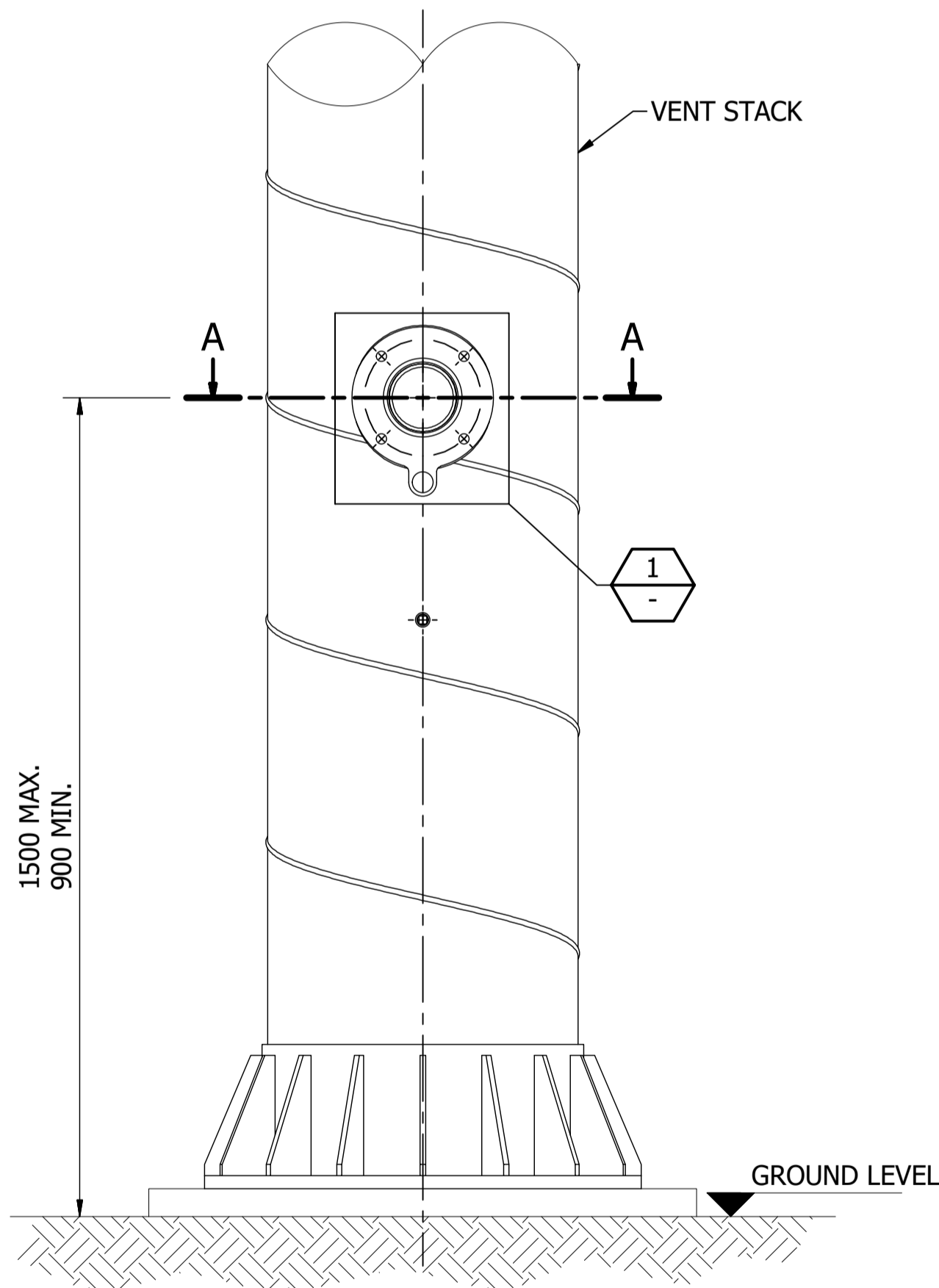


PARTS LIST

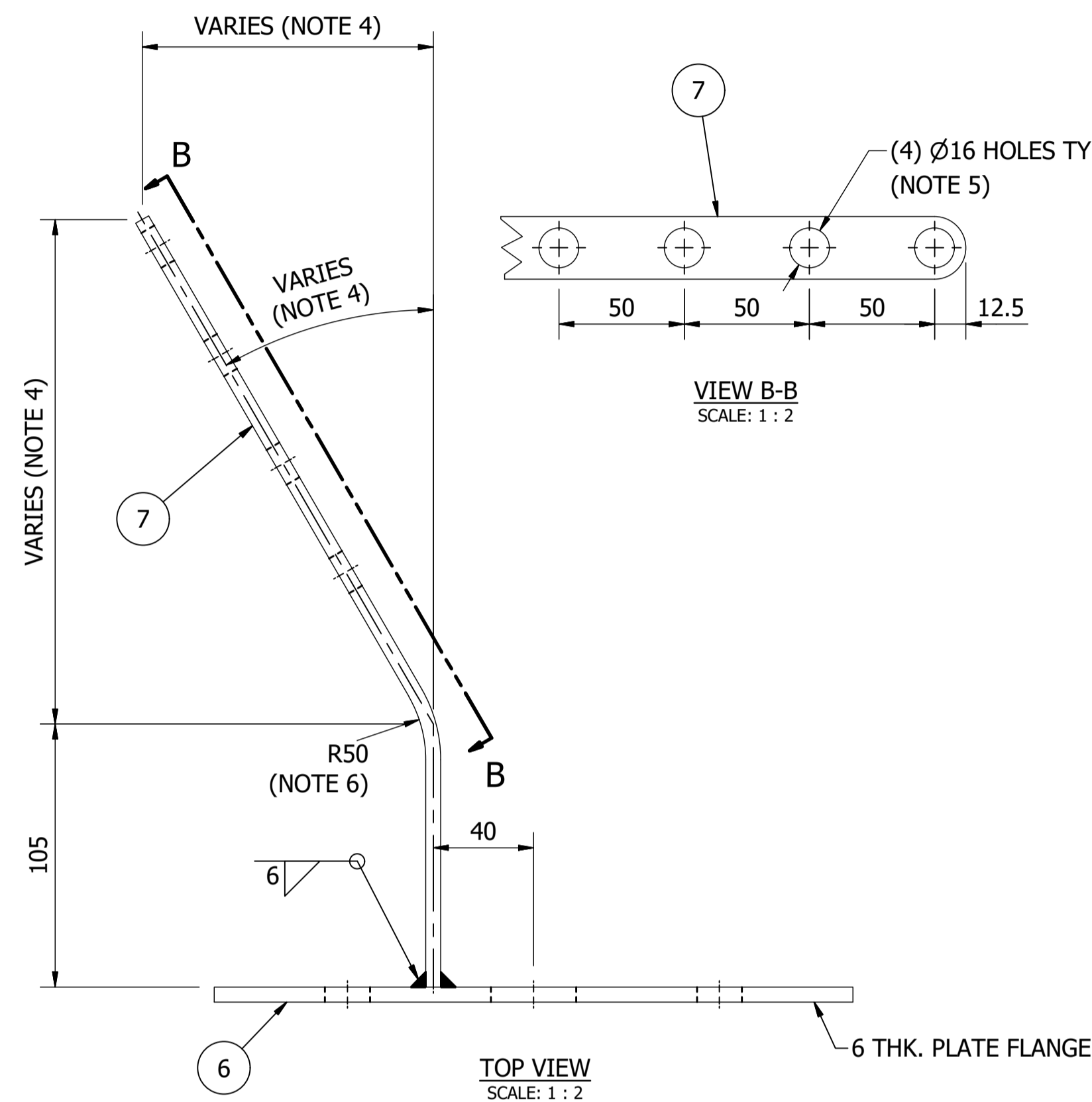
ITEM	MATERIAL	DESCRIPTION	QTY	MASS
1	Stainless Steel	VENT STACK	1	N/A
2	Stainless Steel	5 PL REINFORCING PAD	1	1.7 kg
3	Stainless Steel	DN125 SCHD. 40 PIPE	1	1.4 kg
4	Stainless Steel	DN125 x 6 THK PLATE FLANGE WITH ANTENNA ATTACHMENT LOOP	1	1.8 kg
5	Rubber	3 THK NATURAL RUBBER GASKET TO SUIT FLANGE	1	80 g
6	Stainless Steel	DN125 x 6 BLANK PLATE FLANGE WITH 34 DIA. HOLE FOR INSTRUMENT CABLE	1	2.4 kg
7	Stainless Steel	25 x 6 FL INSTRUMENT HANGER	1	0.4 kg
8	N/A	ICOTEK CABLE GLAND DN32	1	40 g
9	Stainless Steel	M16 NUT, BOLT AND WASHERS	4 EACH	100 g



SECTION A-A
SCALE: 1 : 10

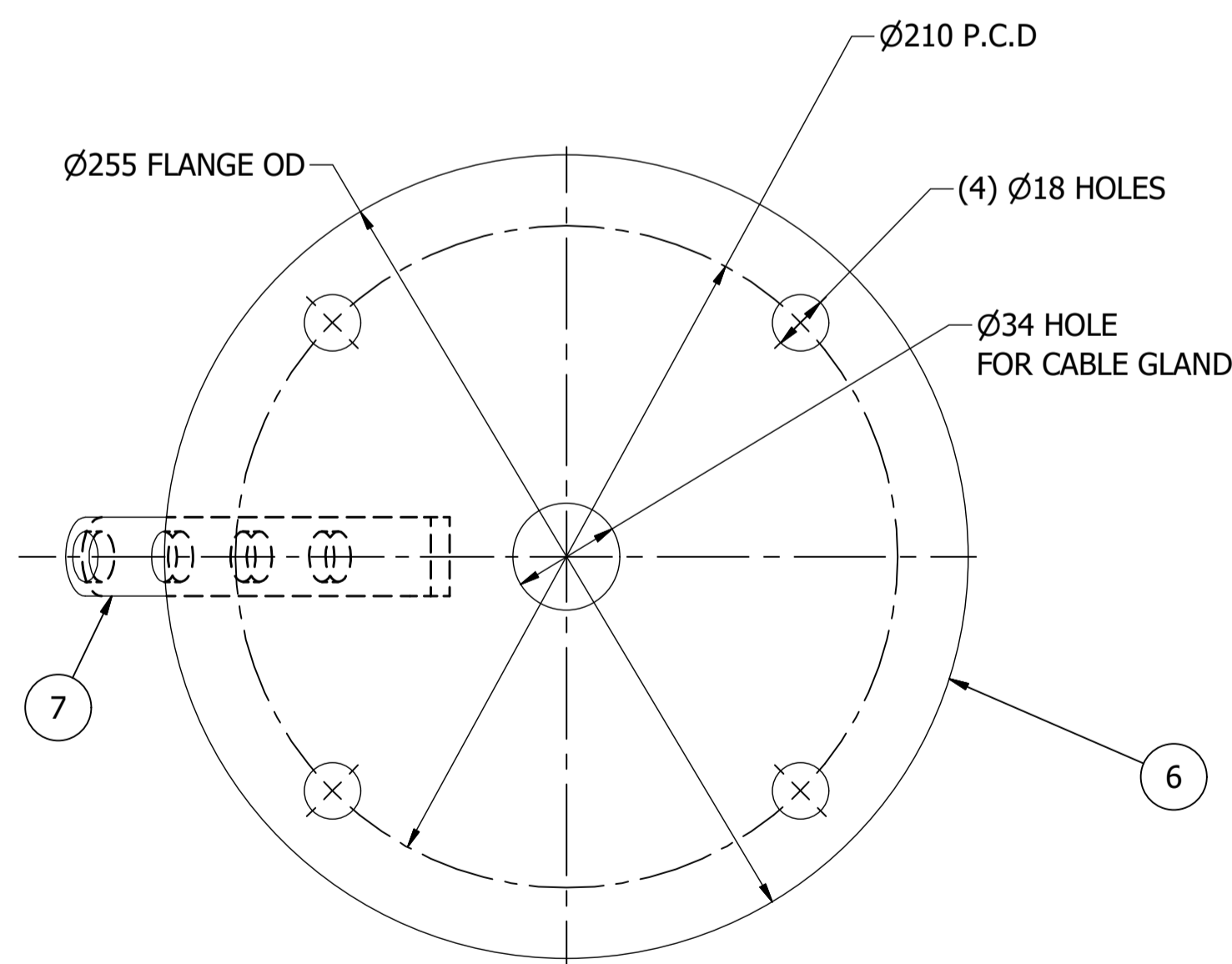


FRONT ELEVATION
SCALE: 1 : 10

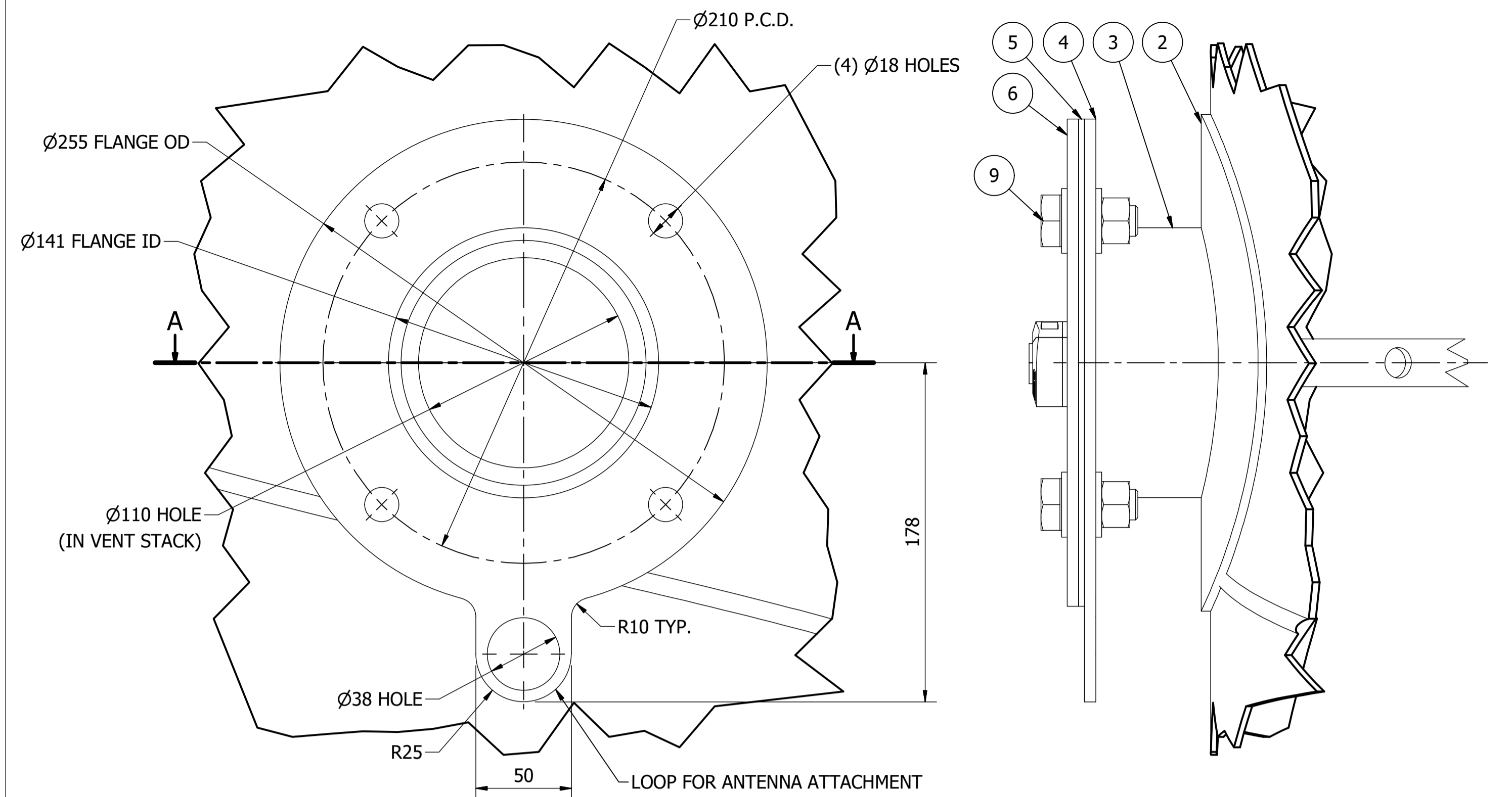


TOP VIEW
SCALE: 1 : 2

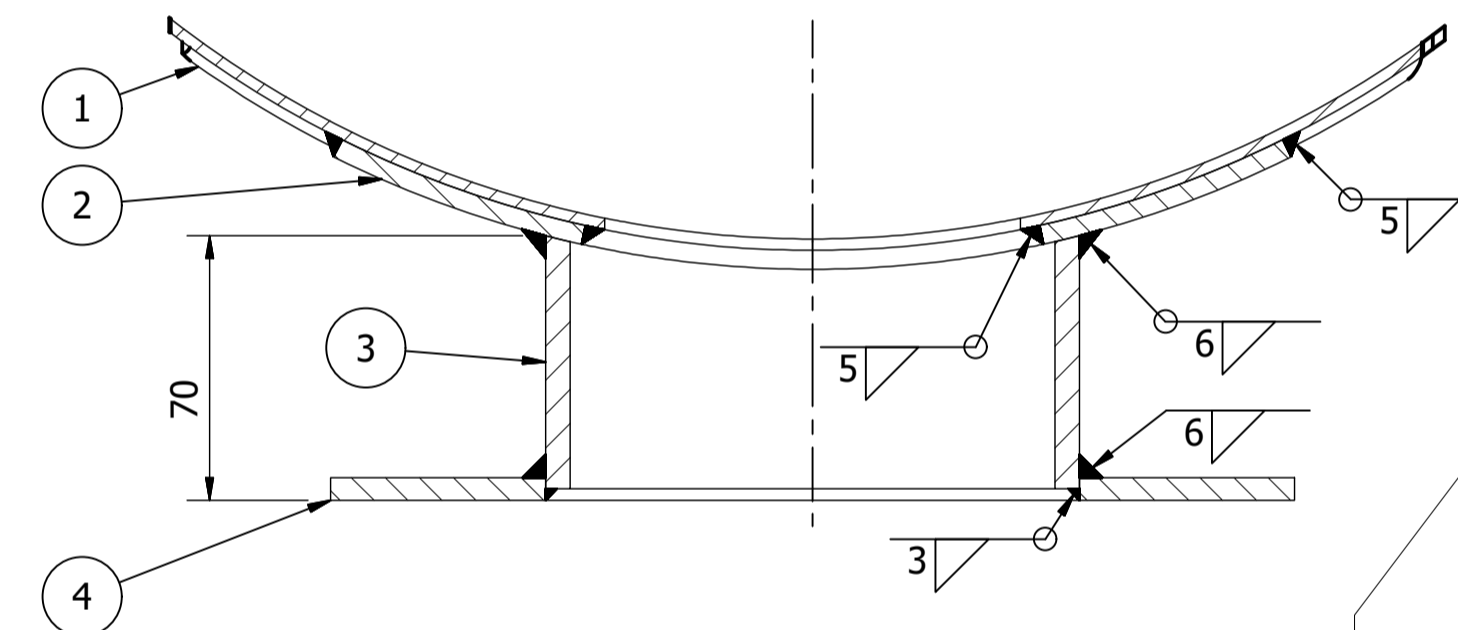
VIEW B-B
SCALE: 1 : 2



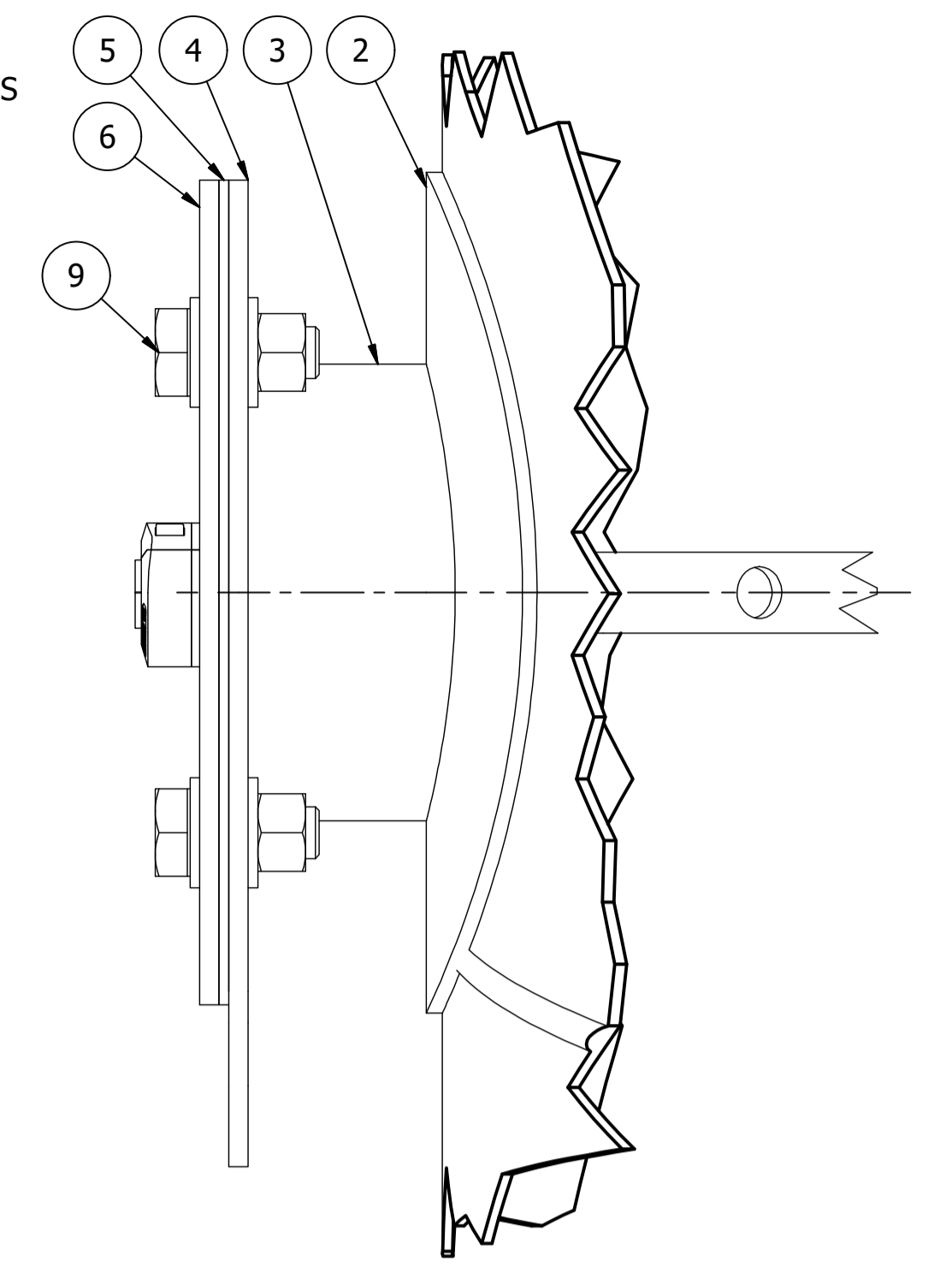
FRONT VIEW
SCALE: 1 : 2
COVER PLATE



DETAIL 1
SCALE: 1 : 2



SECTION A-A
SCALE: 1 : 2
INSTRUMENT PORT
(COVER PLATE NOT SHOWN)

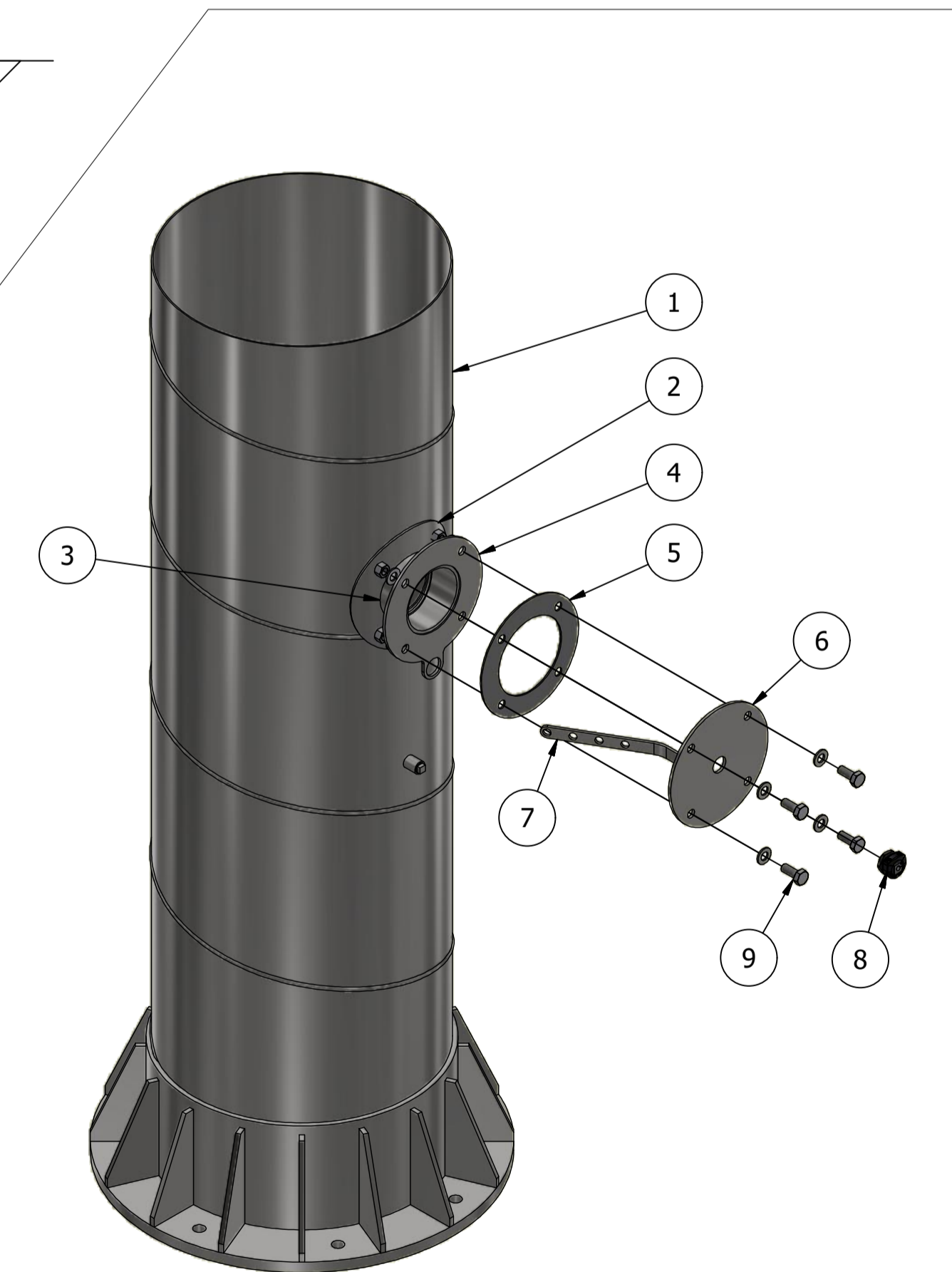


SIDE VIEW
(ASSEMBLED WITH COVER PLATE)
SCALE: 1 : 2

NOTES

- FOR STEELWORK NOTES REFER TO SD-9100-D.
- VENT STACK AS SHOWN IS INDICATIVE. INSTRUMENT HANGER TO SUIT PROJECT SPECIFIC APPLICATION.
- INTRUMENTATION PORTAL SUITABLE FOR VENT STACKS > DN200.
- DIMENSION OF HANGER (PART 7) VARIES TO SUIT STACK DIA. SEE TABLE:

DIMENSION	DN200	>200 - ≤DN300	>DN300
"A"	40	50	150
"B"	40	50	50
- REDUCE NUMBER OF HOLES TO SUIT HANGER LENGTH FOR STACKS <DN600. (MIN 1 HOLE REQUIRED.)
- BEND NOT REQUIRED FOR DN200 VENT STACKS



EXPLODED VIEW
SCALE: 1 : 10

DAM	RES	SPS
BWS	WAT	STP
WTP	SEW	
WPS	REC	



STANDARD DRAWING
SEWERAGE NETWORK
VENTILATION SYSTEMS
INDUCT AND EDUCT VENTS
INSTRUMENTATION PORTAL

DRAWING STATUS	
Current	
SD-2300-D	
A1	ISSUE A

No.	ISSUE	DATE	DRAWN	CHECKED	AUTHORISED
A	INITIAL ISSUE	11/02/2020	M. Matusiak	V. Gallagher	K. Danenbergs